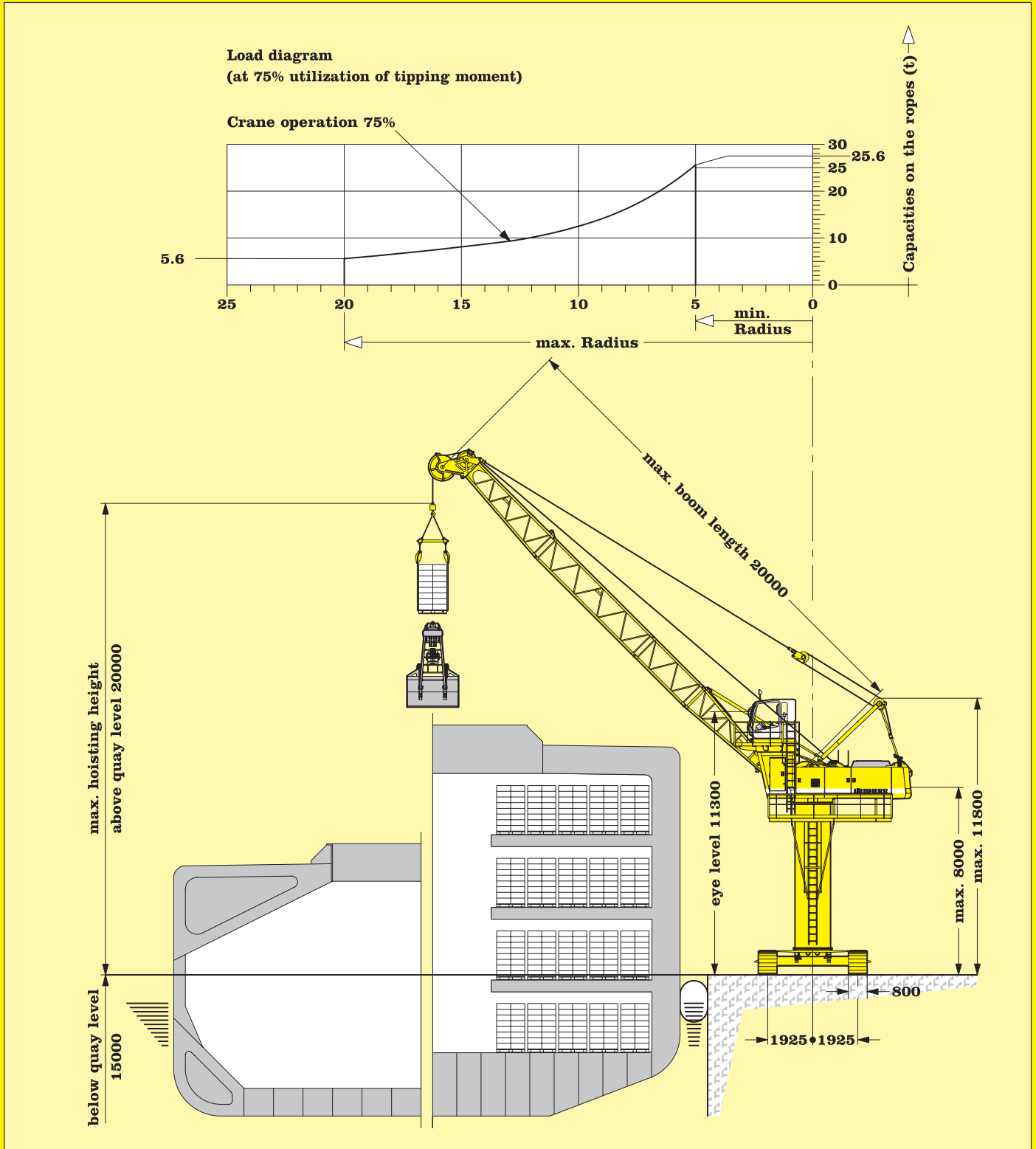


Hydraulic crawler crane Harbour operation

LR 843

Litronic®



LIEBHERR

The Better Machine

Liebherr Hydraulic Crawler Crane, Type LR 843 Litronic®

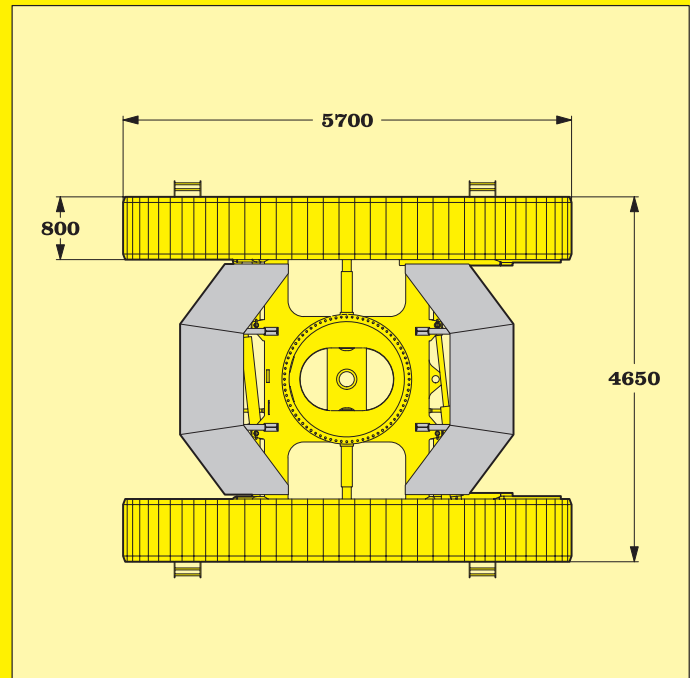
The synergy of wide experience, research and development for your success and benefit

- high performance
- high reliability and quality
- low operational cost
- unsurpassed mobility and flexibility
- worldwide service network

Load diagram

Radius (m)	crane operation 75% (t)	two rope grab operation 66% (t)
5.0	25.6	25.0
5.5	23.3	23.1
6.0	21.3	21.2
6.5	19.7	19.5
7.0	18.3	18.1
7.5	17.0	16.8
8.0	15.9	15.7
9.0	14.0	13.9
10.0	12.5	12.4
11.0	11.3	11.0
12.0	10.3	9.8
13.0	9.4	8.8
14.0	8.6	8.0
15.0	8.0	7.3
16.0	7.4	6.7
17.0	6.9	6.2
18.0	6.4	5.7
19.0	6.0	5.3
20.0	5.6	4.9

Propping base



Technical data

Capacity	hook operation standard	1 - rope operation	1x - 12 t winch
Capacity	grab operation optional	2 - rope operation with free - fall tagline winch 1x - 1.4 t	2x - 12 t winch optional
Engine		Liebherr Diesel engine, type D 926 TI-E	220 kW at 1800 rpm
Working speeds		hoisting / lowering slewing luffing Travelling without load	max. 136 m/min max. 1.5 rpm max. 45 m/min 0 - 1.4 km/h
Weight		total crane	approx. 62 t
Undercarriage		crawler with flat track shoes rubber track shoes	800 mm optional
Hoisting height		above quay at minimum radius above quay at maximum radius below quay	26 m 20 m 15 m
Cabin		eye level aircondition	11.3 m optional

LIEBHERR-WERK NENZING GMBH,

P.O. Box 10, A-6710 Nenzing / Austria / Europe
Telephone (0043) 5525 - 606 - 473,
Telefax (0043) 5525 - 606 - 499
crawler.crane@lwn.liebherr.com
www.liebherr.com

Presented by: