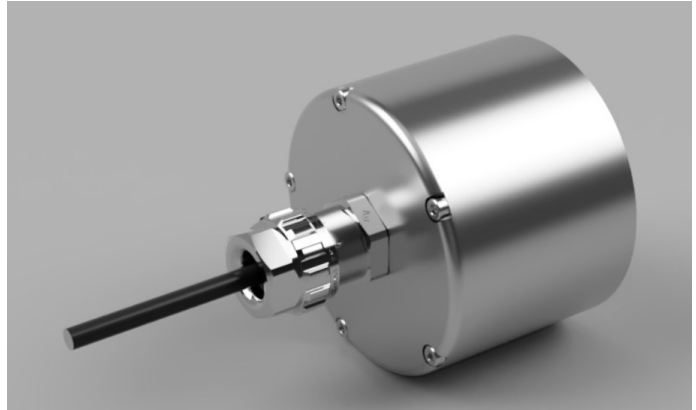
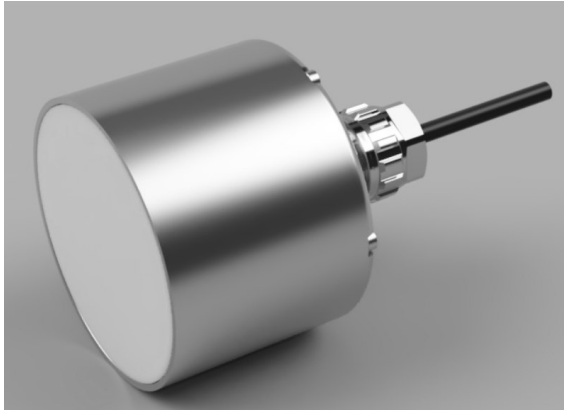


# Technical Data

## Litronic FMS planar sensor P78-E22



### Basic Data


Suitable for use in potentially explosive atmospheres	3D - Zone 22
Physical principle:	Capacity determination with high-frequency stray field
Measured frequency:	16 - 22 MHz
Sensor location:	Outside silo via deflector, on conveyor belt with sliding shoe, pipes, worm conveyor, tanks, ...
Measuring range:	0 - 100 % moisture content (measuring window adjustable)
Capacitance resolution:	10 fF
Cycle of up-date:	32,64 ms
Sampling rate for average calculation:	16 - 22 10 <sup>6</sup>
Max. measuring accuracy of moisture with optimal material specific calibration, mean value with ideal material flow, with Litronic FMS II Interchange and evaluation unit / PC-software:	+/- 0,05 % moisture content
Measuring value transmission method:	digital: RS-485, multi-processor protocol
Max. Number of sensors at the bus:	16
Max. cable length:	1200 m
Power supply:	8..30V, 0.4 VA
Measuring range of temperature:	-10 - 75 °C accuracy: +/- 0,5 °C
Working ambient temperature:	5 - 75 °C
Storage temperature:	-25 - 80 °C
Protection class:	IP68
Connecting cable type / length	TMPU 6 x AWG24/ 6 m

### Liebherr-Mischtechnik GmbH

Postbox 145, 88423 Bad Schussenried, Germany  
Tel: +49 7583 949-807, E-Mail: [mt.lmt@liebherr.com](mailto:mt.lmt@liebherr.com)  
[www.water-content-measurement.com](http://www.water-content-measurement.com)

# LIEBHERR

# Technical Data

Material wear protection:	Zircon oxide (ZrO <sub>2</sub> Al <sub>2</sub> O <sub>3</sub> )
Material shell / flange:	V4A 1.4404 (Option: 1.4571)
Dimension: Ø / height / height with cable connection:	78 / 53 / 88,6 mm
Weight without cable:	0,900 kg
Weight clamping flange:	0,300 kg
EU-type examination certificate UK-Type Examination Certificate	EPS 20 ATEX 1 207 X EPS 22 UKEX 1 160 X EN IEC 60079-0:2018, EN 60079-31:2014
Ex-identification	 II 3D Ex tc IIIC T85°C Dc
IECEx certificate of conformity	IECEx EPS 20.0077X IEC 60079-0:2017 Edition 7.0, IEC 60079-31:2013 Edition 2
Ex-identification	Ex tc IIIC T85°C Dc

## Important Note:

The Liebherr address, the Liebherr Logo, as the manufacturer / distributor must always be read in full, so it is not allowed to paste or cover it

## FEATURES

- capacitive measuring method
- sensor replacement without re-calibration
- sensitivity adjustable in 3 shoulders
- integral microprocessor c/w mean value computing
- material flow identification
- temperature compensation
- limit value check
- digital measured value transfer and recording
- high-strength ceramic wear shield
- stainless steel housing

## X Please take care on following special conditions of use!

- For the power supply of the sensor use only a power supply for the relevant device category.
- The cable can only be installed movable if the ambient temperature around is between 5 °C and 70 °C.
- The device must be connected either outside of the potentially explosive area or in a housing that corresponds to an ignition protection type in accordance with EN IEC 60079-0.
- The allowed ambient temperature is between 5 °C and + 75 °C.

Dimensional drawing:

