

---

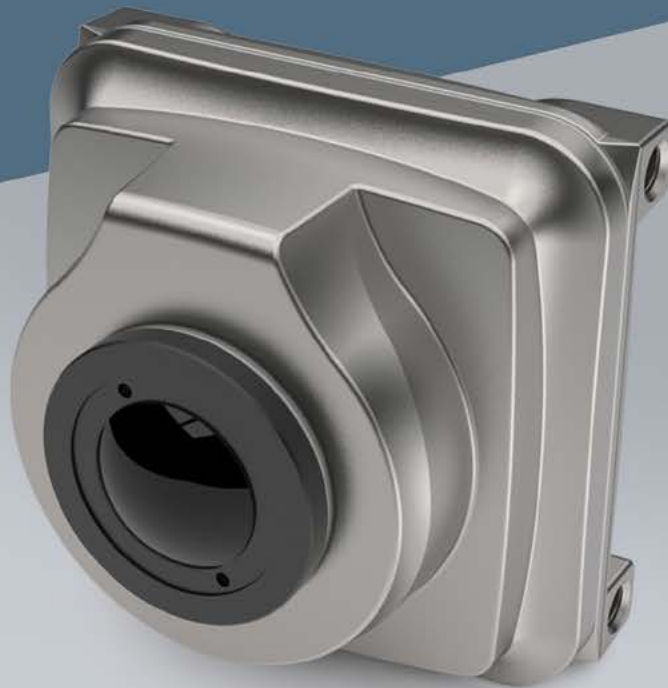
# Image quality in the 4<sup>th</sup> dimension

---

The next generation digital  
camera

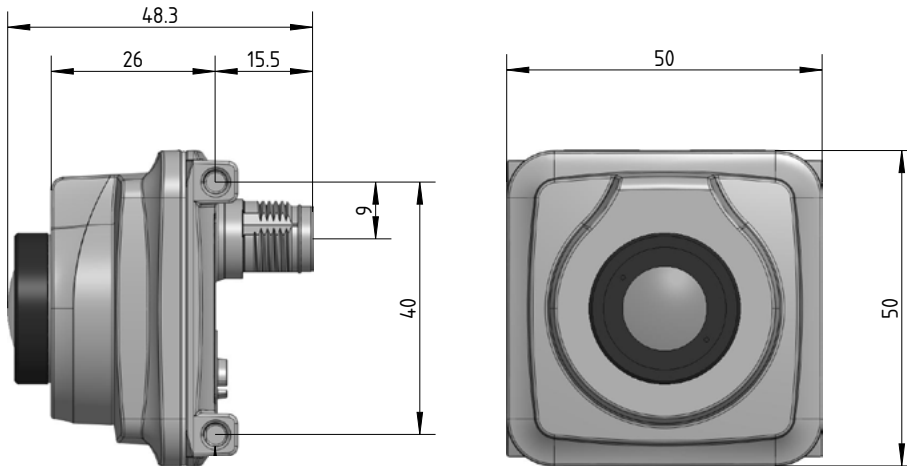
**LIEBHERR**

Components  
Electronics



# MDC4

## Dimensions (mm)



## Technical data



### Image/video

Image resolution width x height	up to 1,920 x 1,280 px, 2.46 Mpx
Field of view	HFOV: 105°, 125°, 150°
Frame rate	up to 60 fps
Video format	H.264 via RTP/UDP



### Interfaces/robustness

Interfaces	100BASE-TX, 1000BASE-T1, FPD III-Link
Connector	M12 8 pin A-coded, HSD, FAKRA
Protection class	IP67, IP6K9K
Housing	zinc die cast
Control	adjustable during operation
Diagnostics	readout of error memory via UDS

**Liebherr-Components AG**  
Post box 222  
5415 Nussbaumen, Switzerland  
+41 56 296 43 00  
components@liebherr.com  
www.liebherr.com/mdc4