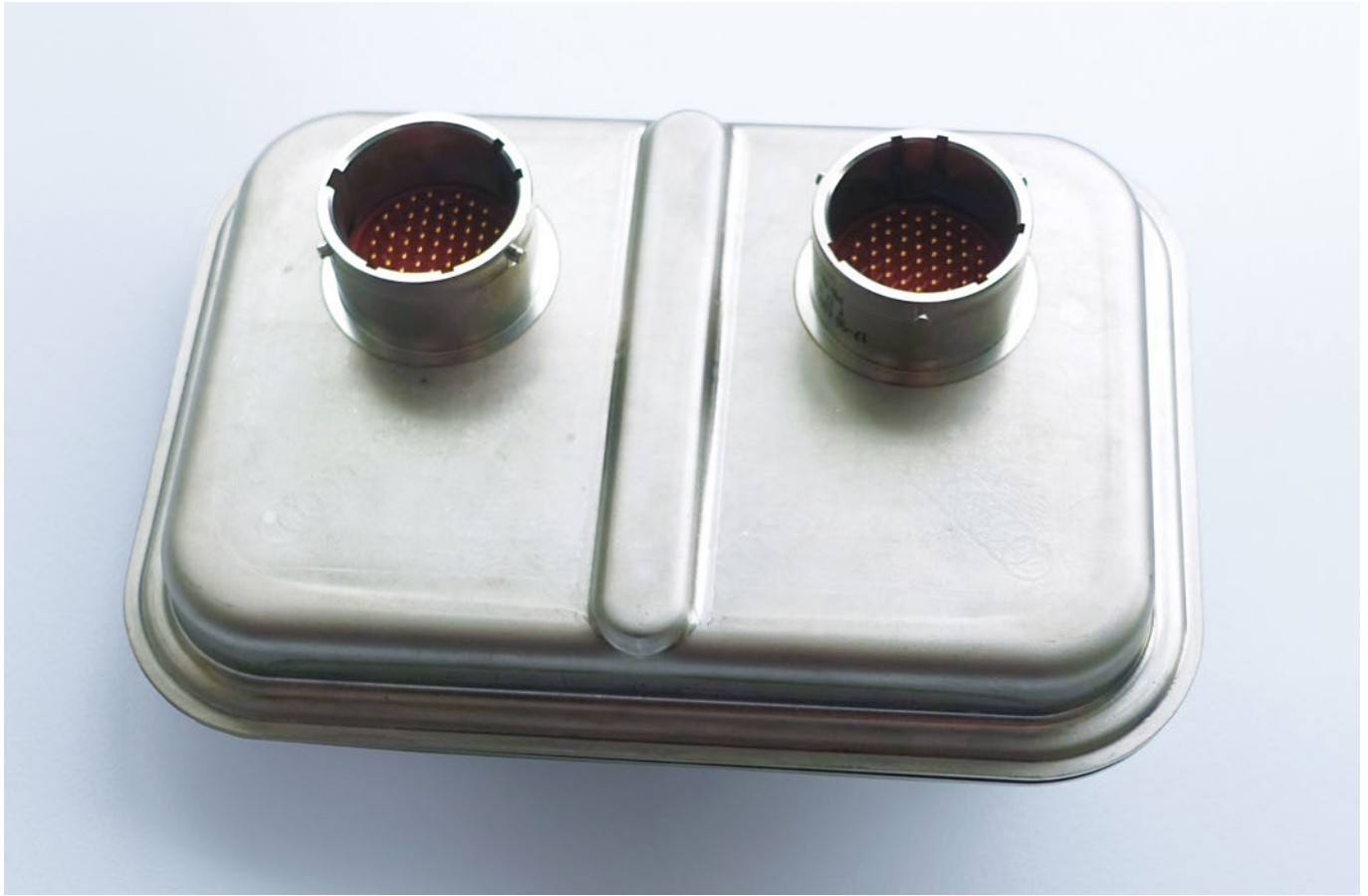


Ultra Versatile: Liebherr's Remote Electronic Unit



Key characteristics:

- Configurable analog inputs via hardware placement options
- Configurable data bus interface via hardware placement options
- Safety critical applications
- Design Assurance Level A
- Lightweight housing with adaptable attachment points
- Two electrical connectors with all interfaces
- Two independent and dissimilar computing lanes
- MTBF > 150,000 flight hours
- Developed according to RTCA/DO-178C and RTCA/DO-254
- Qualified according to RTCA/DO-160
- Operational in severe environment (unpressurized area, high vibration levels, cold soak)

Ready for multiple civil and military applications:

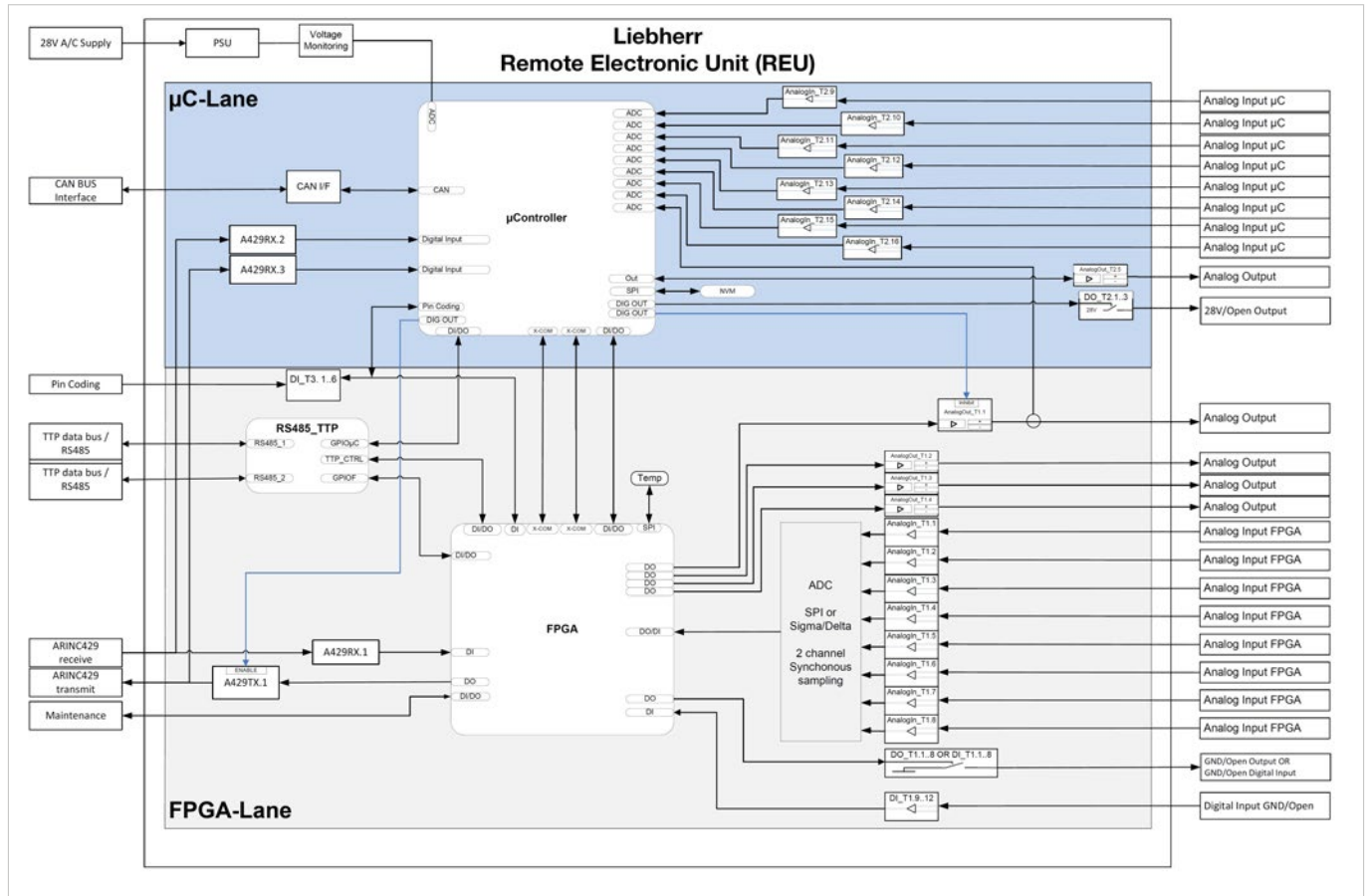
- Aerospace
- Maritime
- Space

Suitable for:

- Position control loops
- Data concentration, monitoring, conversion
- System control capability
- Connection of existing components such as levers, tillers, sticks and sensors to sophisticated communication data buses

LIEBHERR

Ultra Versatile: Liebherr's Remote Electronic Unit



Electrical characteristics:

- Control/Monitor architecture
 - Control lane: FPGA
 - Monitor lane: μController
- Adaptable aircraft bus interface:
 - TTP
 - A429
 - RS485
 - CAN
- Memory:
 - 128...512 kByte MRAM
 - 32...64 MByte Flash
- Universal analog inputs:
 - 8 x CON + 8 x MON sensor independent
 - HW-adjustable: voltage/current/temperature
- Universal analog outputs:
 - 4 x CON + 1 x MON, sensor independent
 - HW-adjustable: voltage/current
 - Software configurable signal form, frequency and amplitude

- Discrete interfaces:
 - 3 x 28 V / open Outputs (2 A)
 - 8 x GND / open I/Os (1 A)
 - max. 12 discrete inputs
- Power consumption: 8 W
- Single A/C 28 V power supply

Mechanical characteristics:

- Dimensions: 140 mm (L) x 100 mm (W) x 25 mm (H) (without connector)
- Weight: < 0.6 kg
- Adaptable aircraft interface
- Hermetically sealed