

Reachstacker

# LRS 545-31 Toplift

**Maximum lifting capacity**

Row: 1 / 2 / 3  
45t / 31t / 16t

**Maximum stacking height**

8'6" Container: 5 / 5 / 4  
9'6" Container: 5 / 4 / 3

**Average fuel consumption\***

12-14l

\* depending on operation conditions

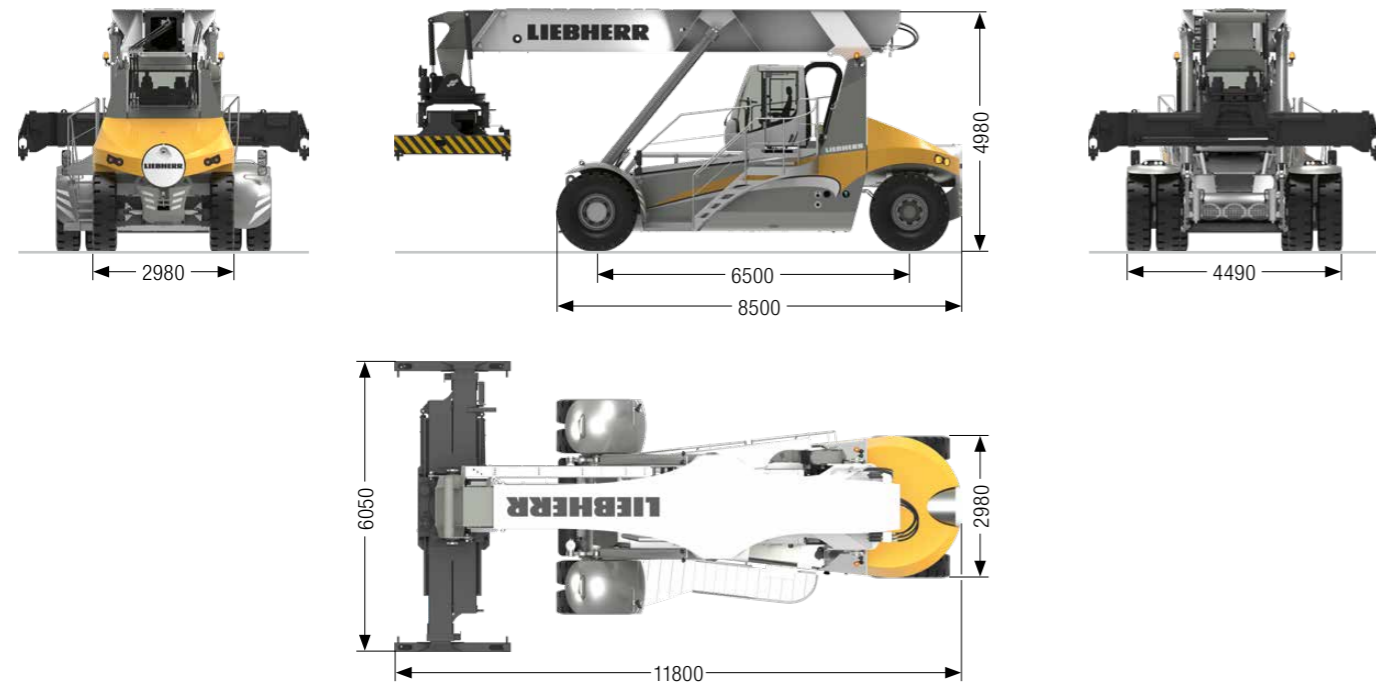


Similar to illustration, may contain special equipment

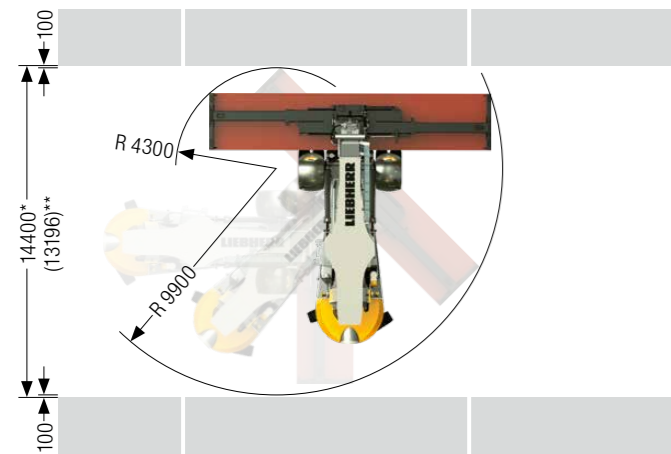
# LIEBHERR

# Dimensions

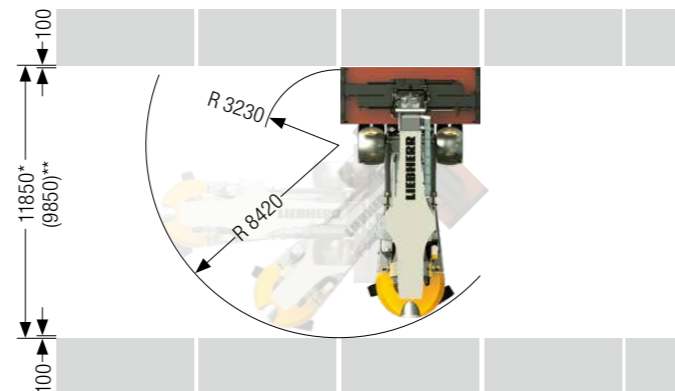
## LRS 545-31 Toplift



### 40' Container



### 20' Container



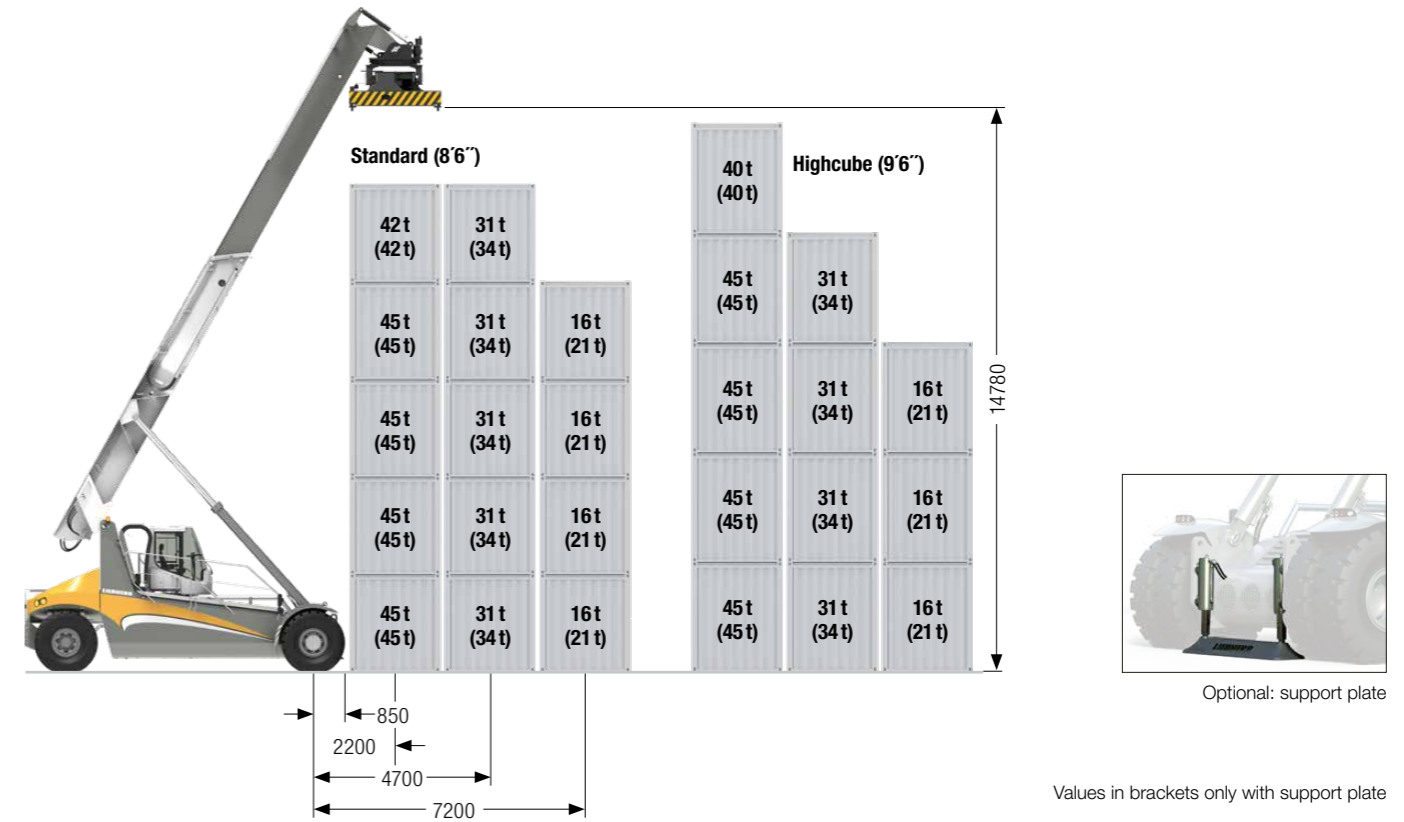
\* Distance center of front axle to center of spreader = 2000 mm  
 \*\* Distance center of front axle to center of spreader = 0 mm

### Dimensions

	Unit	LRS 545-31 Toplift
Overall length of machine	mm	8500
Overall length incl. spreader	mm	11800
Width incl. front wheels	mm	4490
Min. ground clearance	mm	300
Wheelbase	mm	6500
Boom angle (min./max.)	°	0/60.3
Max. lifting height (row 1/2)	mm	15050 (14780/13300)
Min. distance ground to spreader	mm	1865
Seat height	mm	2600
Boom height (min./max.)	mm	4980/17800
Total weight (unladen/laden)	t	69/114

# Load Chart

## LRS 545-31 Toplift



### Load Data

	Unit	LRS 545-31 Toplift (row 1/2/3)
Capacity	t	45/31/16
Capacity with supporting plate	t	45/34/21
Distance from centre of tyres to centre of container	mm	2200/4700/7200
Face of tyres to centre of container	mm	1350/3850/6350
Stacking height – 8'6" container		5/5/4
Stacking height – 9'6" container		5/4/3

### Driveline

	Unit	LRS 545-31 Toplift
Engine manufacturer / type		Liebherr D944
Emission standard		Stage IV/Tier 4 final
Power		230 kW at 1700 rpm
Torque		1440 Nm at 1350 rpm
Displacement / number of cylinder	cm <sup>3</sup>	7964/4
Average fuel consumption*	l/h	12 - 14
Tank volume (hydraulic / diesel / AdBlue)	l	1100/500/46
Noise level (inside)	dBa	71
Transmission		stepless / hydrostatic
Operation brake		hydrostatic / wet disc brake
Parking brake		wet disc brake

\*depending on operation conditions

# Technical Data

## LRS 545-31 Toplift

### Performance

	Unit	LRS 545-31 Toplift
Drive speed* (unladen/laden)	km/h	25/20
Lifting speed (unladen/laden)	m/s	0.40/0.25
Lowering speed (unladen/laden)	m/s	0.40/0.40
Gradeability (unladen/laden)	%	18/10

\*forward and backward

### Wheels

	Unit	LRS 545-31 Toplift
Tyre type		pneumatic
Tyre dimension		18.00x25/40PR
Rim dimension		13.00x25
Tyre pressure	bar	10
Number of wheels (front/rear)		4/2
Track width (front/rear)	mm	3345/2437

### Lifting Attachments

	Unit	LRS 545-31 Toplift
Spreader type		Toplift
Spreader width (min./max.)	mm	6050/12175
Spreader side shift	mm	+/- 800
Spreader rotation	°	-105/+195
Mechanical pile slope (mechanical levelling)	°	+/- 3
Power damping (forward/backward)		optional