



60 USt



125 ft



145 ft



177 ft



8 ft 4 in

An economical taxi crane with three axles

LTM 1050-3.1

Mobile crane
Grue mobile

LIEBHERR

Mobile and crawler cranes



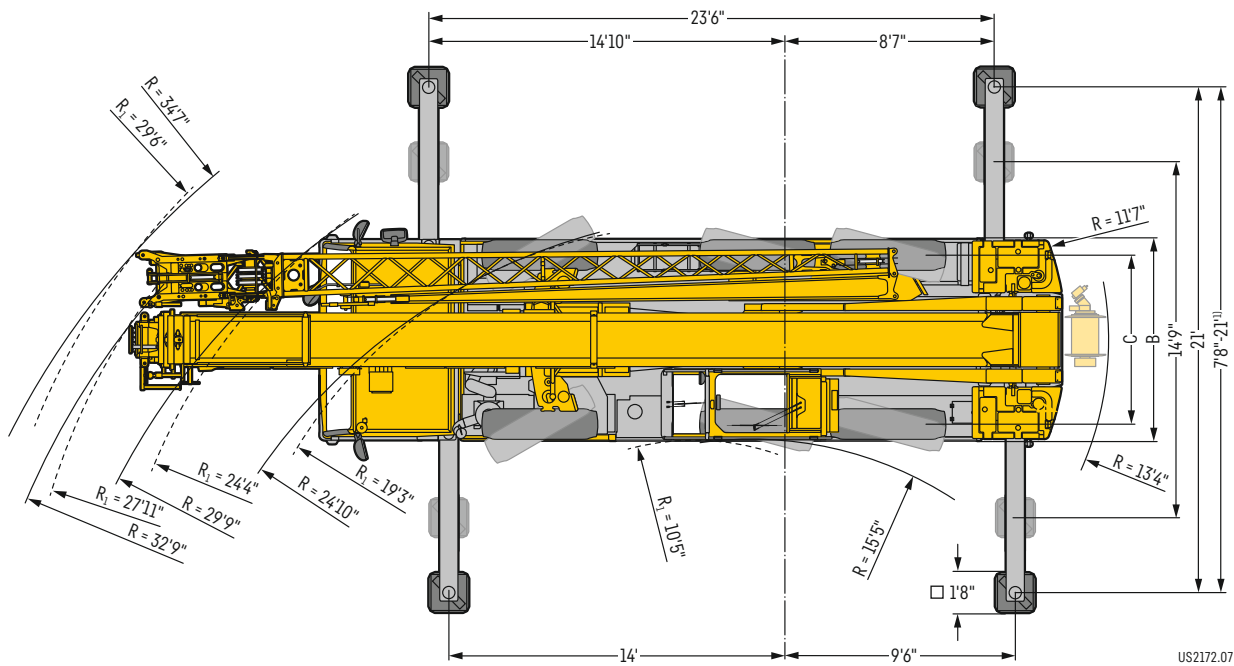
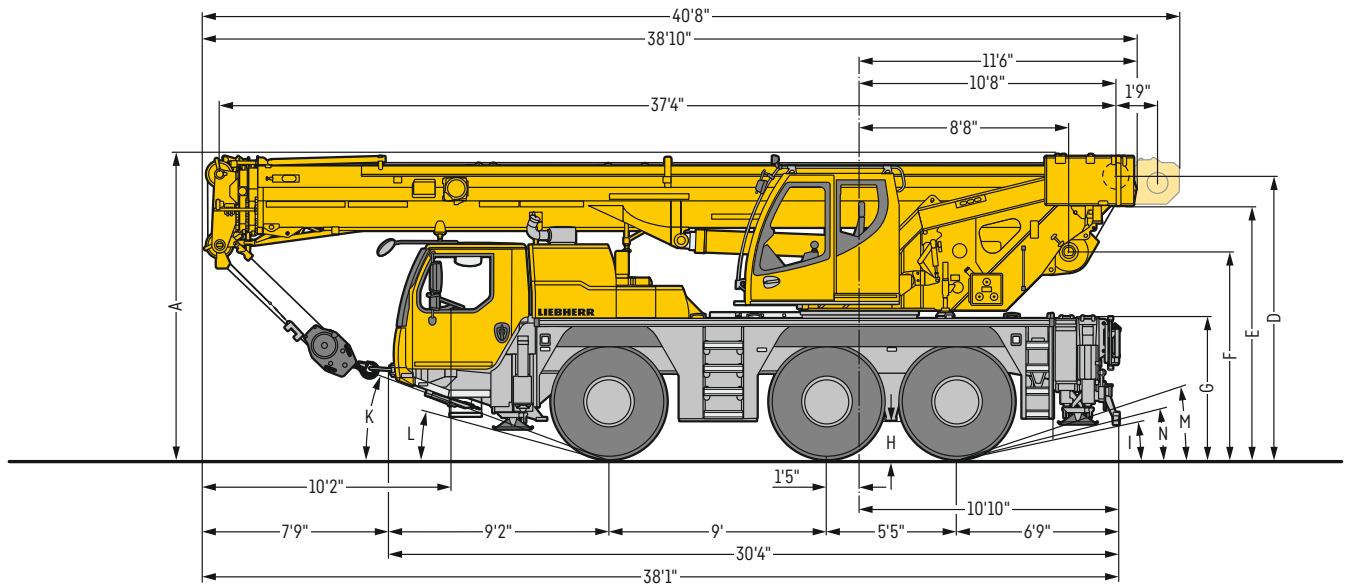
Technical data

Caractéristiques technique

Dimensions	
Encombrement	3
Mobile crane	
Grue mobile	4-5
Fuel saving and noise reduction	
Economie de carburant et réduction du bruit	6
Flexible assembly jib	
Fléchette de montage flexible	6
Counterweight	
Contrepoids	7
On-road driving	
Déplacement sur route	8
Jobsite driving	
Déplacement sur chantier	8
Crane data	
Dates de la grue	9
Boom/jib combinations	
Configurations de flèche	10
T	11-15
TK	16-20
TK	21-23
Equipment	
Equipement	24-25
Description of symbols	
Explication des symboles	26
Remarks	
Remarques	27

Dimensions

Encombrement



US2172.07

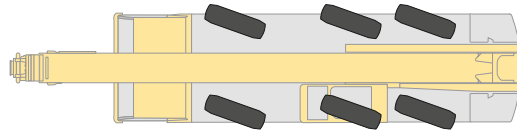
R₁ = All-wheel steering · Direction toutes roues
¹⁾ only with VarioBase® · seulement avec VarioBase®

Dimensions · Encombrement

	A	A 4 ^{**}	B	C	D	E	F	G	H	I	K	L	M	N
445/95 R 25 (16.00 R 25)	12'7"	12'3"	8'4"	6'11"	11'8"	10'5"	8'6"	5'9"	1'5"	12°	21°	15°	19°	14°
525/80 R 25 (20.5 R 25)	12'7"	12'3"	8'10"	7'1"	11'8"	10'5"	8'6"	5'9"	1'5"	12°	21°	15°	19°	14°

* lowered · abaissé

LTM 1050-3.1



Variable steering concept
Concept de direction variable

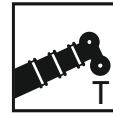
S3244.01



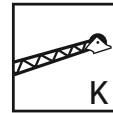


Hillstart Aid makes starting on gradients easier. Move off safely and easily without rolling backwards.

La fonction Hillstart-Aid facilite le démarrage en côte. Démarrage sûr et facile sans recul du véhicule.



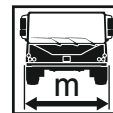
125 ft



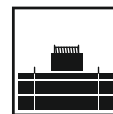
30 ft - 52 ft



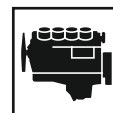
5 ft



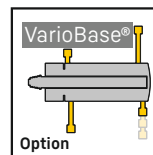
8 ft 4 in (445/95 R 25)



19,800 lb



270 kW (367 h.p.)



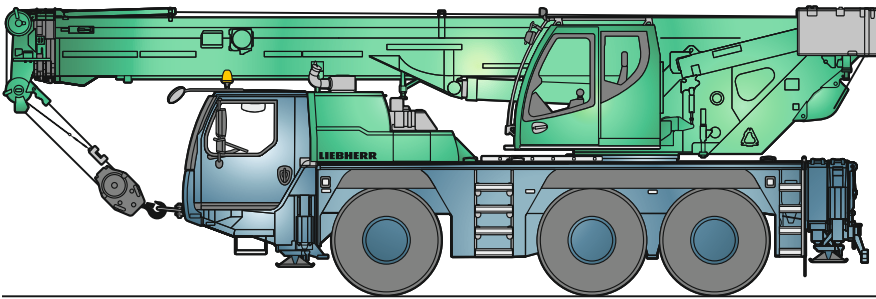
Fuel saving and noise reduction

Economie de carburant et réduction du bruit

ECOmode

Automatic regulation of the engine speed during crane mode reduce fuel about 10 %

Régulation automatique de la vitesse du moteur pendant les travaux avec la grue permet de réduire la consommation de carburant jusqu'à env. 10 %



S3245.01

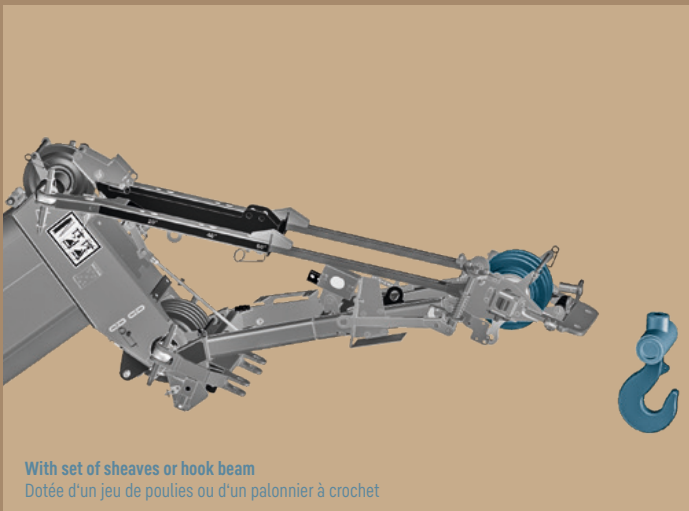
ECOdrive
TRAXON

Driving strategy in the carrier with ECO- or Powermode to reduce noise and fuel

L'adaptation du mode de déplacement avec le mode ECO ou le mode Puissance permet de réduire le niveau sonore et la consommation de carburant

Flexible assembly jib

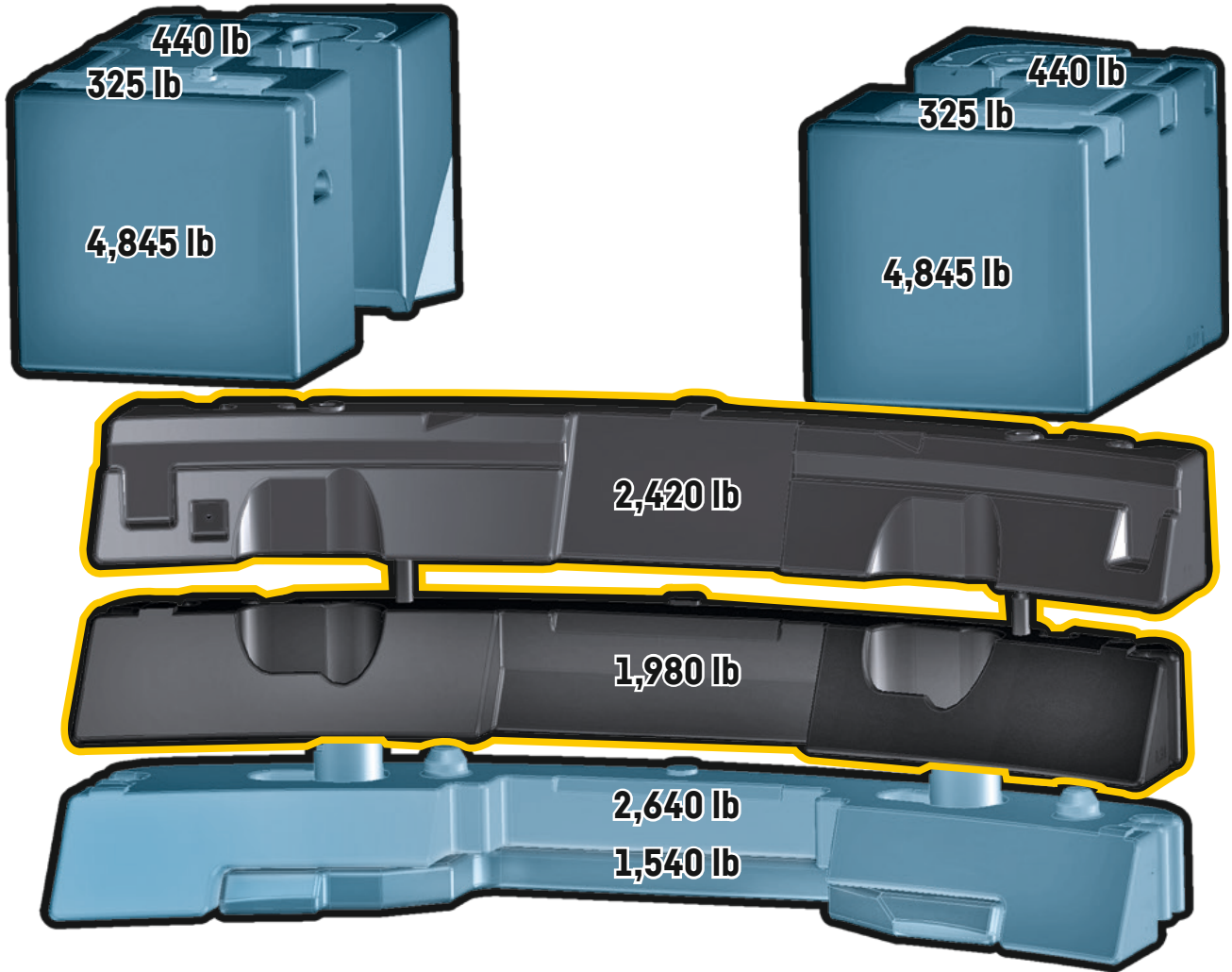
Fléchette de montage flexible



With set of sheaves or hook beam
Dotée d'un jeu de poulies ou d'un palonnier à crochet

- + Rapid change between roller set and hook traverse (option)
- + Integrated in folding fly jib
- + Flexible lowering between 0°; 20°, 40°, 60°
- + Changement rapide entre jeu de rouleaux et palonnier à crochets (option)
- + Intégrée dans la fléchette pliante
- + Angle flexible entre 0°, 20°, 40°, 60°

Counterweight Contrepoids



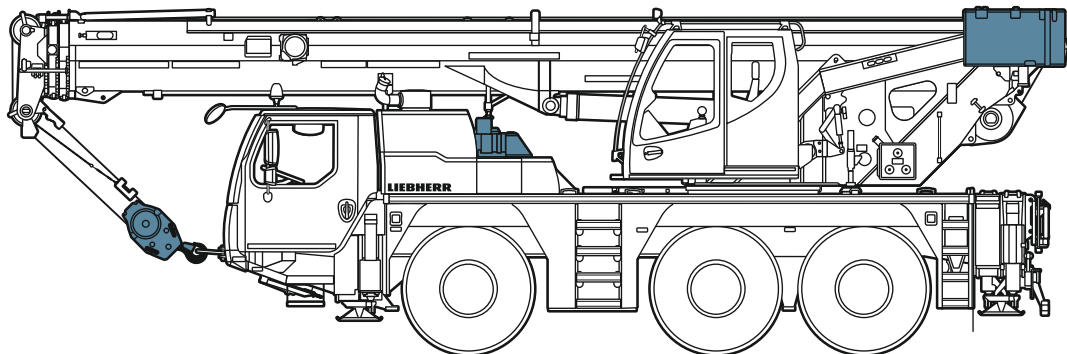
26,400 lb axle load
26,400 lb de charge par essieu

Technically transportable
Transport techniquement simplifié

Additional counterweight
Contrepoids additionnel

On-road driving

Déplacement sur route



≤ 26,400 lb

≤ 26,400 lb ≤ 26,400 lb

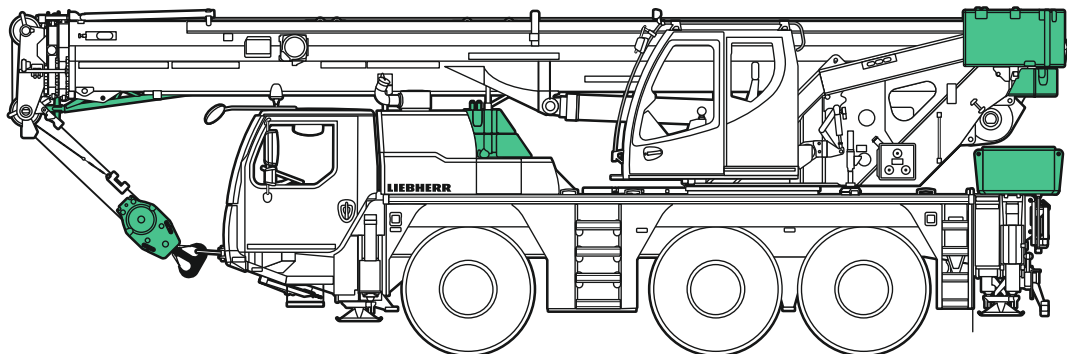
15,400 lb

≤ 79,200 lb

US3045.01

Jobsite driving

Déplacement sur chantier



≤ 29,300 lb

≤ 29,300 lb ≤ 29,300 lb

19,800 lb





≤ 87,900 lb

US3246.01









Crane data

Dates de la grue

Hook block Moufles à crochet




			
110,200 lb	7	12	880 lb
101,650 lb	5	11	880 lb
66,600 lb	3	7	620 lb
29,300 lb	1	3	430 lb
9,920 lb	-	1	165 lb

Crane carrier Châssis porteur











	 min.	 max.	 %		
445/95 R 25 (16.00 R 25)	0 - 0.4	53	> 60%		12 / R2
525/80 R 25 (20.5 R 25)	0 - 0.4	53	> 60%		4 / R2

Theoretical gradeability - aptitude théorique en pente

Max. supporting forces Forces d'appui max.

		
F _{max}	66,150 lb	94,400 lb

Crane superstructure Partie tournante

				
	0 - 394 ft/min single line - au brin simple	15 mm	607 ft	10,125 lb
	0 - 394 ft/min single line - au brin simple	15 mm	607 ft	10,125 lb
	0 - 1.9 rpm			
	approx. 47 seconds to reach 82° boom angle env. 47 s jusqu'à 82°			
	approx. 80 seconds for boom extension from 37 ft - 125 ft env. 80 s pour passer de 37 ft - 125 ft			

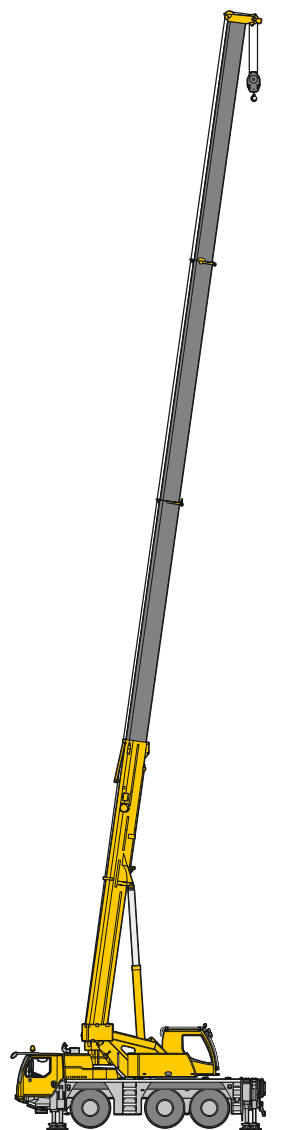
Boom/jib combinations

Configurations de flèche

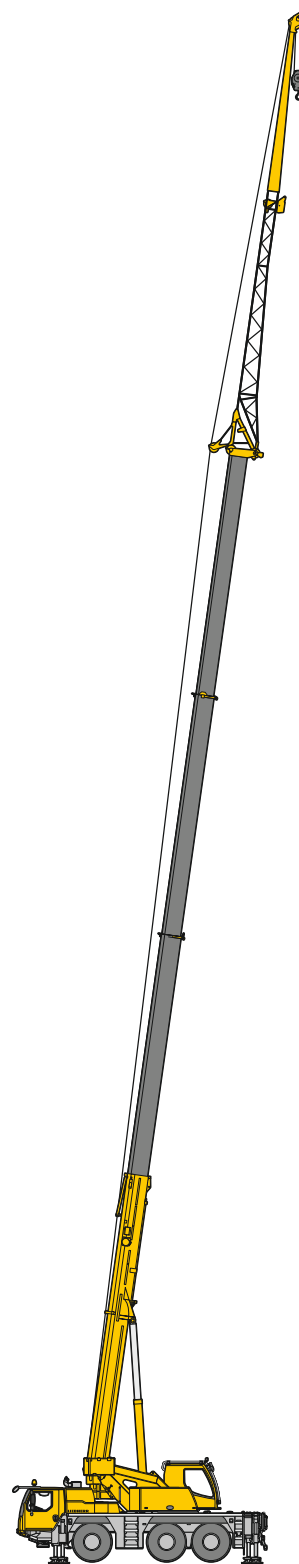
T Telescopic boom
Flèche télescopique

K Mechanically adjustable folding jib
Pointe pliante réglable mécaniquement

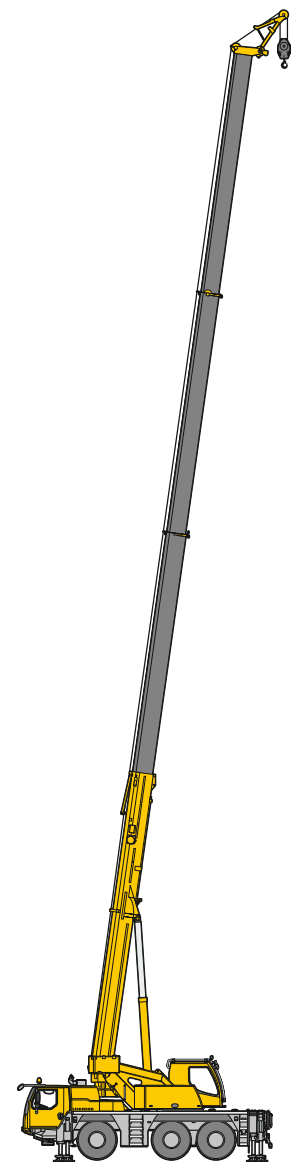
HK Mechanically adjustable assembly jib
Fléchette de montage réglable mécaniquement



T



TK



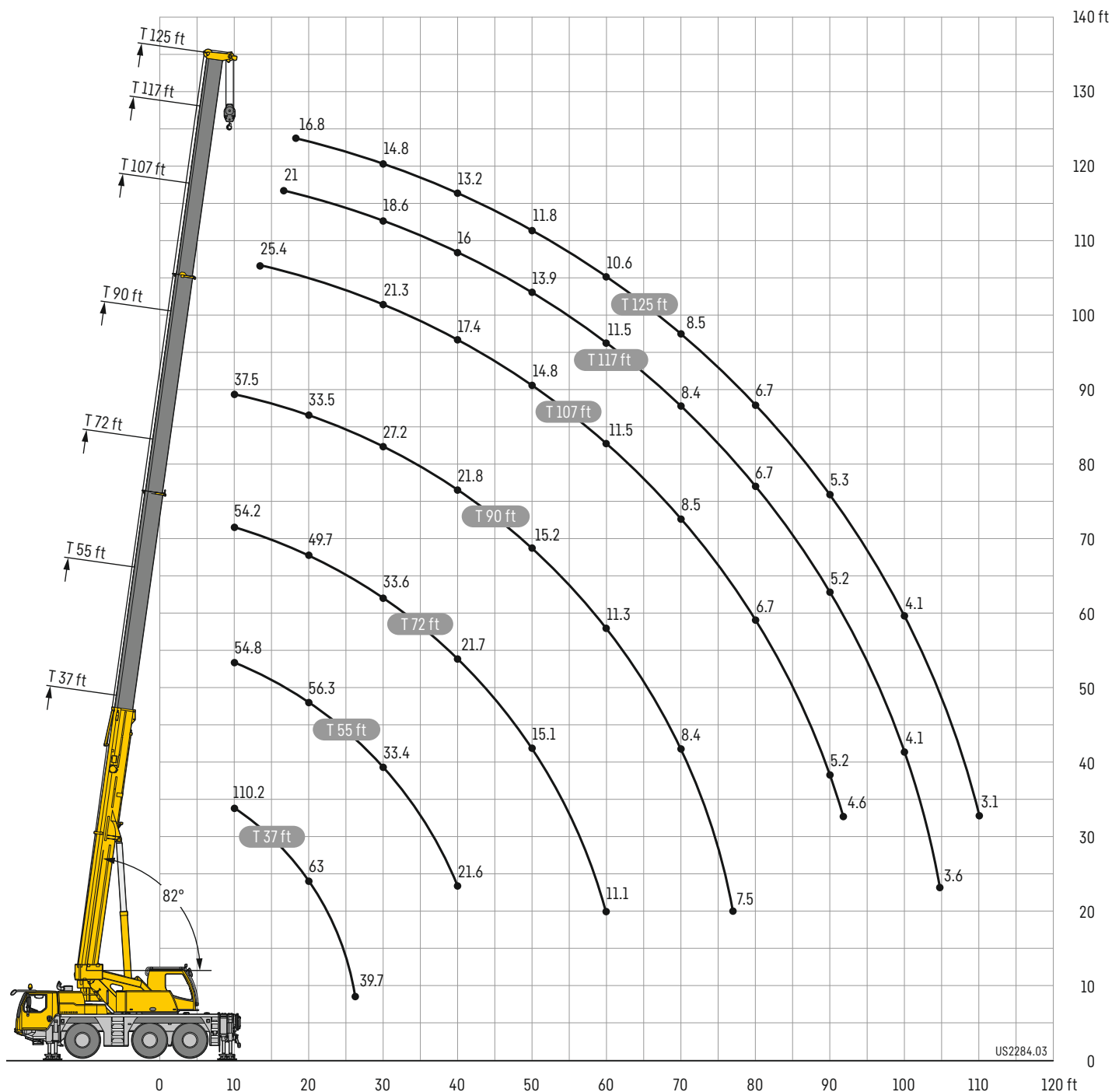
THK

S3046.02

Lifting heights

Hauteurs de levage

T



US2284.03

Lifting capacities

Forces de levage

T



	37 ft		55 ft		72 ft		90 ft		107 ft		117 ft		125 ft		
	*			**		**		**		**		**		**	
10	110.2	92.6	54.8	44.5	54.2	42.2	37.5	34.9							10
11	104.7	90	56.2	44.5	54.7	42	37.3	34.7							11
12	97.4	85.4	57.4	44.5	55.2	41.9	36.9	34.5							12
13	91.7	81	58.4	44.5	55.4	41.7	36.6	34.3	25.4	23.5					13
14	86.2	76.8	59.2	44.5	55.1	41.6	36.2	34.1	25.3	23.3					14
15	81.3	72.6	60.1	44.5	54.4	41.5	35.8	33.9	25.2	23.1					15
16	76.9	68.9	61	44.5	53.7	41.4	35.4	33.7	25	22.8	21	15.3			16
17	73.1	65.5	62	44.5	52.8	41.4	35	33.5	24.8	22.6	20.9	15.1	16.8	9.3	17
18	69.4	62.1	61.4	44.5	51.8	41.3	34.5	33.3	24.7	22.4	20.9	14.9	16.7	8.6	18
19	66.2	58.7	59.3	44.5	50.9	41.2	34	33.1	24.4	22.2	20.7	14.7	16.6	8.3	19
20	63	55.4	56.3	44.5	49.7	41.2	33.5	32.9	24.2	22	20.6	14.5	16.5	8.1	20
22	57.5	49.9	50.6	44.5	47.4	41.1	32.4	32.3	23.8	21.6	20.4	14.1	16.1	7.8	22
24	49.8	44.7	45.4	44.2	44.8	41	31.1	31.1	23.2	21.2	20	13.8	15.8	7.6	24
26	39.7	39.7	41.2	41.2	41.4	40.5	29.8	29.8	22.6	20.8	19.7	13.4	15.4	7.4	26
28			36.7	36.7	37	37	28.5	28.5	22	20.5	19.2	13.1	15.1	7.1	28
30			33.4	33.4	33.6	33.6	27.2	27.2	21.3	20.2	18.6	12.8	14.8	6.9	30
32			30.2	30.2	30.7	30.7	26	26	20.6	19.9	18	12.5	14.4	6.7	32
34			27.4	27.4	27.6	27.6	24.9	24.9	19.8	18.8	17.5	12.3	14.1	6.5	34
36			25.2	25.2	25.4	25.4	23.8	23.8	19	17.9	17	12	13.8	6.3	36
38			23.3	23.3	23.5	23.5	22.9	22.9	18.1	17.7	16.5	11.7	13.5	6.1	38
40			21.6	21.6	21.7	21.7	21.8	21.8	17.4	17.2	16	11.5	13.2	5.9	40
45					17.7	17.7	17.8	17.8	15.9	15.9	14.9	10.9	12.5	5.5	45
50					15.1	15.1	15.2	15.2	14.8	14.8	13.9	10.5	11.8	5.2	50
55					12.9	12.9	13.2	13.2	13.2	13.2	12.9	9.8	11.1	4.7	55
60					11.1	11.1	11.3	11.3	11.5	11.5	11.5	8.5	10.6	3.7	60
65							9.5	9.5	9.9	9.9	9.5	8.1	9.6	2.9	65
70							8.4	8.4	8.5	8.5	8.4	7.5	8.5	2.3	70
75							7.5	7.5	7.6	7.6	7.5	6.2	7.6		75
80									6.7	6.7	6.7	5.1	6.7		80
85									5.9	5.9	6	4.1	6		85
90									5.2	5.2	5.2	3.3	5.3		90
95									4.6	4.6	4.6	2.6	4.7		95
100											4.1	2	4.1		100
105											3.6		3.6		105
110													3.1		110

** over rear - sur arrière

** telescopic loads - capacités de levage en télescopage

t_185_00011_00_001 / t_185_00111_00_001

Lifting capacities

Forces de levage

T



	37 ft	55 ft		72 ft		90 ft		107 ft		117 ft		125 ft		
			**		**		**		**		**		**	
10	92.6	54.8	44.5	54.2	42.2	37.5	34.9							10
11	89.8	56.2	44.5	54.7	42	37.3	34.7							11
12	85.1	57.4	44.5	55.2	41.9	36.9	34.5							12
13	80.5	58.4	44.5	55.4	41.7	36.6	34.3	25.4	23.5					13
14	76	59.2	44.5	55.1	41.6	36.2	34.1	25.3	23.3					14
15	71.8	60.1	44.5	54.4	41.5	35.8	33.9	25.2	23.1					15
16	67.9	61	44.5	53.7	41.4	35.4	33.7	25	22.8	21	15.3			16
17	64.2	62	44.5	52.8	41.4	35	33.5	24.8	22.6	20.9	15.1	16.8	9.3	17
18	60.5	60.8	44.5	51.8	41.3	34.5	33.3	24.7	22.4	20.9	14.9	16.7	8.6	18
19	57.1	57.5	44.5	50.9	41.2	34	33.1	24.4	22.2	20.7	14.7	16.6	8.3	19
20	53.8	54.5	44.5	49.7	41.2	33.5	32.9	24.2	22	20.6	14.5	16.5	8.1	20
22	47.9	48.5	44.5	47	41.1	32.4	32.3	23.8	21.6	20.4	14.1	16.1	7.8	22
24	42.7	43.6	43.6	43.5	40.7	31.1	31.1	23.2	21.2	20	13.8	15.8	7.6	24
26	37.4	38.6	38.6	39	39	29.8	29.8	22.6	20.8	19.7	13.4	15.4	7.4	26
28		34.5	34.5	34.8	34.8	28.5	28.5	22	20.5	19.2	13.1	15.1	7.1	28
30		31.3	31.3	31.5	31.5	27.2	27.2	21.3	20.2	18.6	12.8	14.8	6.9	30
32		28.1	28.1	28	28	26	26	20.6	19.9	18	12.5	14.4	6.7	32
34		25.5	25.5	25.6	25.6	24.9	24.9	19.8	18.8	17.5	12.3	14.1	6.5	34
36		23.3	23.3	23.6	23.6	23.3	23.3	19	17.9	17	12	13.8	6.3	36
38		21.2	21.2	21.6	21.6	21.7	21.7	18.1	17.7	16.5	11.7	13.5	6.1	38
40		19.3	19.3	19.4	19.4	20	20	17.4	17.2	16	11.5	13.2	5.9	40
45				16.2	16.2	16.4	16.4	15.9	15.9	14.9	10.9	12.5	5.5	45
50				13.5	13.5	13.8	13.8	14	14	13.6	10.5	11.8	5.2	50
55				11.4	11.4	11.7	11.7	11.8	11.8	11.8	9.8	11.1	4.7	55
60				9.8	9.8	9.8	9.8	9.9	9.9	10	8.5	9.9	3.7	60
65						8.5	8.5	8.6	8.6	8.5	8.1	8.5	2.9	65
70						7.4	7.4	7.5	7.5	7.4	7.4	7.4	2.3	70
75						6.4	6.4	6.6	6.6	6.5	6.2	6.5		75
80								5.7	5.7	5.7	5.1	5.7		80
85								4.9	4.9	5	4.1	5		85
90								4.3	4.3	4.3	3.3	4.4		90
95								3.7	3.7	3.7	2.6	3.8		95
100										3.2	2	3.3		100
105										2.8		2.8		105
110												2.4		110

** telescopic loads · capacités de levage en télescopage

t_185_00113_00_001

Lifting capacities

Forces de levage

T



	37 ft	55 ft		72 ft		90 ft		107 ft		117 ft		125 ft		
			**		**		**		**		**		**	
10	92.6	54.8	44.5	54.2	42.2	37.5	34.9							10
11	89.7	56.2	44.5	54.7	42	37.3	34.7							11
12	84.8	57.4	44.5	55.2	41.9	36.9	34.5							12
13	80	58.4	44.5	55.4	41.7	36.6	34.3	25.4	23.5					13
14	75.4	59.2	44.5	55.1	41.6	36.2	34.1	25.3	23.3					14
15	71.2	60.1	44.5	54.4	41.5	35.8	33.9	25.2	23.1					15
16	67.1	60.9	44.5	53.7	41.4	35.4	33.7	25	22.8	21	15.3			16
17	63.2	61.6	44.5	52.8	41.4	35	33.5	24.8	22.6	20.9	15.1	16.8	9.3	17
18	59.4	60.1	44.5	51.8	41.3	34.5	33.3	24.7	22.4	20.9	14.9	16.7	8.6	18
19	55.9	56.5	44.5	50.9	41.2	34	33.1	24.4	22.2	20.7	14.7	16.6	8.3	19
20	52.5	53.3	44.5	49.5	41.2	33.5	32.9	24.2	22	20.6	14.5	16.5	8.1	20
22	46.4	47.2	44.5	45.8	41.1	32.4	32.3	23.8	21.6	20.4	14.1	16.1	7.8	22
24	40.8	41.6	41.6	40.6	40	31.1	31.1	23.2	21.2	20	13.8	15.8	7.6	24
26	35.8	36.7	36.7	36.1	36.1	29.8	29.8	22.6	20.8	19.7	13.4	15.4	7.4	26
28		32.8	32.8	32.4	32.4	28.5	28.5	22	20.5	19.2	13.1	15.1	7.1	28
30		29.3	29.3	29.3	29.3	27.2	27.2	21.3	20.2	18.6	12.8	14.8	6.9	30
32		26.3	26.3	26.6	26.6	25.5	25.5	20.6	19.9	18	12.5	14.4	6.7	32
34		23.8	23.8	24.2	24.2	23.4	23.4	19.8	18.8	17.5	12.3	14.1	6.5	34
36		21.5	21.5	21.9	21.9	21.5	21.5	19	17.9	17	12	13.8	6.3	36
38		19.5	19.5	19.9	19.9	19.9	19.9	18.1	17.7	16.5	11.7	13.5	6.1	38
40		17.8	17.8	18.2	18.2	18.5	18.5	17.3	17.2	16	11.5	13.2	5.9	40
45				14.9	14.9	15.1	15.1	14.9	14.9	14.5	10.9	12.5	5.5	45
50				12.3	12.3	12.6	12.6	12.7	12.7	12.5	10.5	11.8	5.2	50
55				10.4	10.4	10.6	10.6	10.8	10.8	10.7	9.8	10.5	4.7	55
60				8.8	8.8	8.9	8.9	9	9	8.9	8.5	8.9	3.7	60
65						7.7	7.7	7.7	7.7	7.6	7.6	7.6	2.9	65
70						6.6	6.6	6.7	6.7	6.6	6.6	6.6	2.3	70
75						5.7	5.7	5.8	5.8	5.8	5.8	5.8	1.7	75
80								5	5	5	5	5		80
85								4.3	4.3	4.3	4.1	4.4		85
90								3.7	3.7	3.7	3.3	3.8		90
95								3.1	3.1	3.2	2.6	3.2		95
100										2.7	2	2.7		100
105										2.3		2.3		105
110												1.9		110

** telescopic loads · capacités de levage en télescopage

t_185_00116_01_000

Lifting capacities – on tyres

Forces de levage – sur pneus

T

37-55 ft

0°/360°

19,800 lb
15,400 lb
12,800 lb

85%

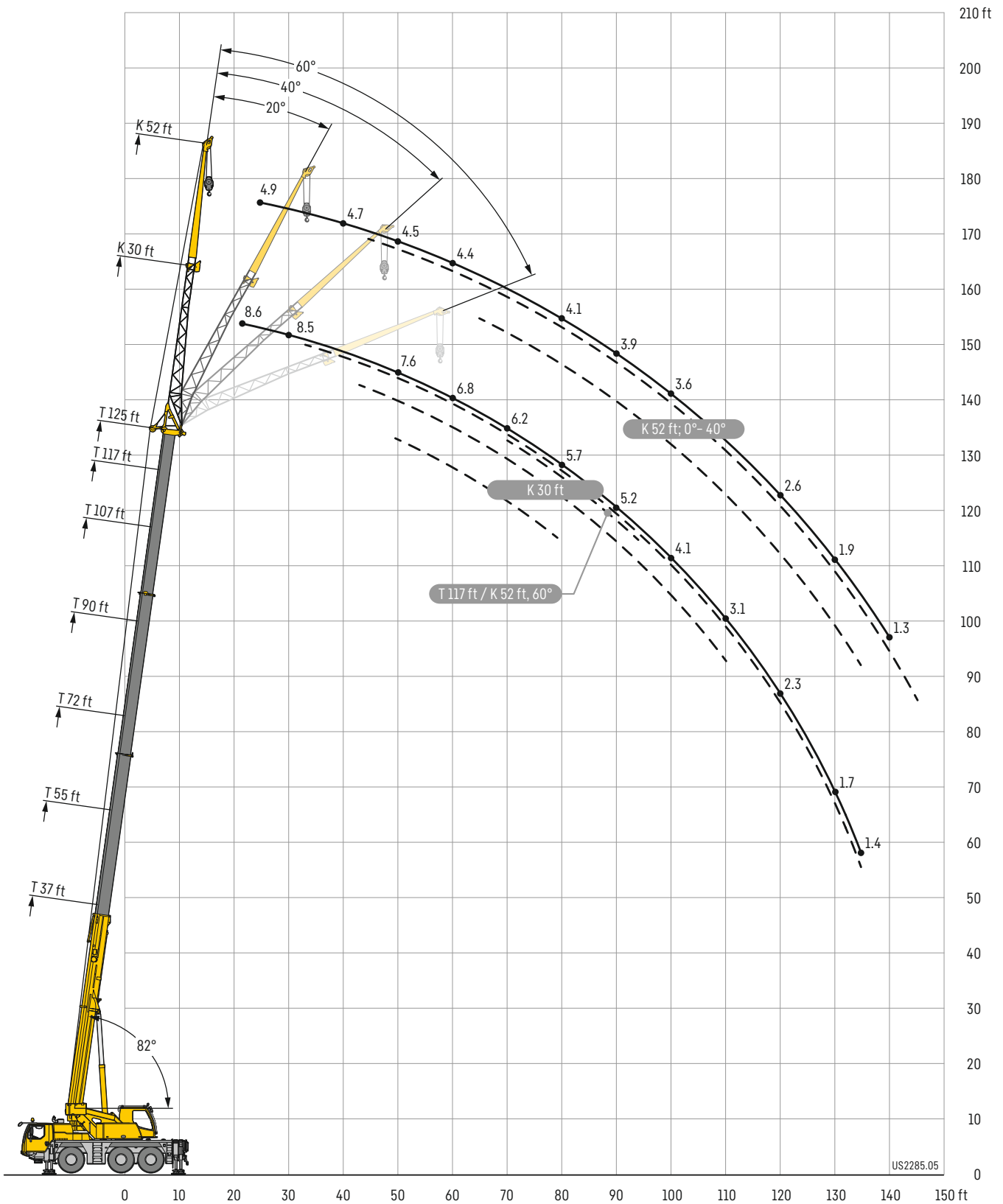
	37 ft						55 ft													
	19,800 lb		15,400 lb		12,800 lb		19,800 lb				15,400 lb				12,800 lb					
	0°	360°	0°	360°	0°	360°	0°	**	360°	**	0°	**	360°	**	0°	**	360°	**		
10			29.8		27.2															10
11			27.1		24.7					24.4	24.4									11
12			24.6		22.4					22.5	22.5				20.5	20.5				12
13			22.2		20.1					20.8	20.8				18.9	18.9				13
14	22.8		20		18.1					19.2	19.2				17.5	17.5				14
15	20.7		18.1		16.3					17.9	17.9				16.3	16.3				15
16	18.9		16.5		14.8					16.7	16.7				15.1	15.1				16
17	17.4		15.1		13.6		17.8	17.8		15.6	15.6				14.1	14.1				17
18	16		13.8		12.4	9.7	16.7	16.7		14.6	14.6				13.1	13.1				18
19	14.8		12.7	10.2	11.4	8.8	15.7	15.7		13.6	13.6				12.2	12.2				19
20	13.7		11.7	9.3	10.4	8	14.6	14.6		12.6	12.6				11.3	11.3				20
22	11.8		10	7.8	8.8	6.6	12.7	12.7		10.9	10.9	8.8	8.8		9.7	9.7	7.6	7.6		22
24	10.2	8.2	8.5	6.5	7.4	5.4	11.1	11.1		9.5	9.5	7.4	7.4		8.4	8.4	6.3	6.3		24
26	8.9	6.9	7.3	5.4	6.2	4.4	9.8	9.8		8.2	8.2	6.4	6.4		7.2	7.2	5.3	5.3		26
28							8.6	8.6		7.1	7.1	5.4	5.4		6.2	6.2	4.4	4.4		28
30							7.6	7.6	5.9	5.9	6.2	6.2	4.6	4.6	5.3	5.3	3.6	3.6		30
32							6.7	6.7	5.2	5.2	5.4	5.4	3.9	3.9	4.6	4.6	2.8	2.8		32
34							5.9	5.9	4.5	4.5	4.7	4.7	3.2	3.2	3.9	3.9	2.1	2.1		34
36							5.2	5.2	3.8	3.8	4.1	4.1	2.4	2.4	3.3	3.3				36
38							4.6	4.6	3.3	3.3	3.5	3.5	1.9	1.9	2.6	2.6				38
40							4	4	2.8	2.8	3	3			2.1	2.1				40

** telescopic loads - capacités de levage en télescopage

t_185_03111_00_001 / 03211_00_001 / 03113_00_001 / 03213_00_001 / 03116_01_000 / 03216_01_000

Lifting heights

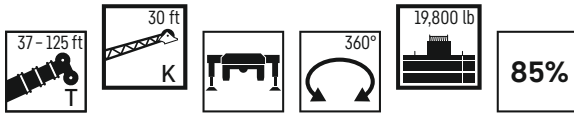
Hauteurs de levage



Lifting capacities

Forces de levage

TK



	37 ft				90 ft								107 ft									
	0°	20°	40°	60°	0°	**	20°	**	40°	**	60°	**	0°	**	20°	**	40°	**	60°	**		
10	13.5																					10
11	13.3																					11
12	13.2																					12
13	13.1	11.6			14.2	14.2																13
14	12.9	11.5			14.1	14.1																14
15	12.8	11.3			14.1	14.1																15
16	12.6	11.2			14	14																16
17	12.5	11			14	14																17
18	12.3	10.9			13.9	13.9							11.7	11.7								18
19	12.2	10.7			13.9	13.9							11.7	11.7								19
20	12	10.6			13.8	13.8							11.7	11.7								20
22	11.7	10.3	8.7		13.7	13.7							11.6	11.6								22
24	11.4	10.1	8.5		13.5	13.5	11.5	11.5					11.5	11.5								24
26	11.1	9.7	8.4	6.3	13.4	13.4	11.4	11.4					11.5	11.5								26
28	10.8	9.3	8.2	6.2	13.2	13.2	11.2	11.2					11.3	11.3	9.2	9.2						28
30	10.5	8.9	8.1	6.1	13.1	13.1	11	11					11.2	11.2	9.1	9.1						30
32	10.2	8.7	8	6.1	12.9	12.9	10.9	10.9	8.7	8.7			11.1	11.1	9.1	9.1						32
34	10	8.5	7.9	6	12.8	12.8	10.7	10.7	8.6	8.6			11	11	9.1	9.1						34
36	9.7	8.4	7.8	6	12.6	12.6	10.5	10.5	8.5	8.5			10.9	10.9	9	9						36
38	9.4	8.2	7.8	6	12.4	12.4	10.4	10.4	8.4	8.4	6.2	6.2	10.8	10.8	9	9	8.2	8.2				38
40	9	8.1	7.7	6	12.3	12.3	10.2	10.2	8.3	8.3	6.2	6.2	10.6	10.6	8.9	8.9	8.1	8.1				40
45	8.3	7.9	7.7		11.8	11.8	9.9	9.9	8.2	8.2	6.1	6.1	10	10	8.8	8.8	8	8	6.1	6.1		45
50	7.6	7.8			11.4	11.4	9.3	9.3	8	8	6	6	9.8	9.8	8.7	8.7	7.9	7.9	6	6		50
55	7	7.2			10.9	10.9	8.8	8.8	7.9	7.9	6	6	9.6	9.6	8.6	8.6	7.8	7.8	6	6		55
60					10.5	10.5	8.6	8.6	7.8	7.8	6	6	9.2	9.2	8.4	8.4	7.7	7.7	6	6		60
65					10	10	8.4	8.4	7.8	7.8			8.7	8.7	8.2	8.2	7.6	7.6	6	6		65
70					8.8	8.8	8.2	8.2	7.7	7.7			8.2	8.2	7.9	7.9	7.6	7.6	6	6		70
75					7.8	7.8	8	8	7.7	7.7			7.6	7.6	7.6	7.6	7.5	7.5				75
80					7	7	7.4	7.4	7.5	7.5			6.8	6.8	7.2	7.2	7.2	7.2				80
85					6.3	6.3	6.6	6.6	6.8	6.8			6.1	6.1	6.5	6.5	6.7	6.7				85
90					5.6	5.6	5.9	5.9					5.4	5.4	5.8	5.8	6	6				90
95					5	5	5.2	5.2					4.8	4.8	5.1	5.1	5.4	5.4				95
100					4.4	4.4	4.6	4.6					4.2	4.2	4.5	4.5	4.7	4.7				100
105					3.9	3.9							3.7	3.7	4	4						105
110													3.2	3.2	3.4	3.4						110
115													2.8	2.8	3	3						115
120													2.4	2.4								120
125													2.1	1.7								125
130																						130
135																						135

** telescopic loads - capacités de levage en télescopage

t_185_01111_01_000

	117 ft								125 ft								
	0°	**	20°	**	40°	**	60°	**	0°	**	20°	**	40°	**	60°	**	
20	10.4	10.4															20
22	10.3	10.3							8.6	6.5							22
24	10	10							8.6	6.2							24
26	9.6	9.6							8.6	5.9							26
28	9.5	9.5							8.5	5.7							28
30	9.4	9.3							8.5	5.5							30
32	9.3	9.1	8.1	8.1					8.4	5.3							32
34	9.2	8.9	8	8					8.4	5.1	7.4	4.8					34
36	9.1	8.7	8	8					8.3	4.9	7.4	4.6					36
38	9	8.5	7.9	7.9					8.2	4.7	7.4	4.5					38
40	8.9	8.3	7.9	7.8	7.4	7.4			8.1	4.5	7.3	4.3					40
45	8.8	7.8	7.8	7.4	7.3	7.2	6.1	6.1	7.9	4.1	7.1	3.9	6.7	3.8			45
50	8.6	7.4	7.8	7	7.3	6.8	6	6	7.6	3.7	6.8	3.6	6.4	3.5	6.1	3.3	50
55	8.5	7	7.7	6.7	7.3	6.5	6	6	7.2	3.4	6.5	3.2	6.1	2.9	5.9	2.7	55
60	8.4	6.6	7.7	6.4	7.3	6.2	6	6	6.8	2.8	6.2	2.6	5.8	2.4	5.7	2.3	60
65	8.1	6.3	7.6	6.1	7.3	5.9	6	5.8	6.5	2	6	2	5.6	1.9	5.5	1.9	65
70	7.7	6	7.6	5.8	7.3	5.6	6	5.6	6.2	1.4	5.7	1.6	5.4	1.5	5.3	1.5	70
75	7.3	5.7	7.3	5.5	7.2	5.4	6	5.3	5.9		5.5		5.2		5.2		75
80	6.7	5.5	6.9	5.3	6.9	5.2			5.7		5.2		5		5		80
85	6	4.5	6.4	4.6	6.6	4.6			5.4		5		4.9		4.9		85
90	5.3	3.6	5.7	3.8	6	3.8			5.2		4.9		4.7		4.7		90
95	4.7	2.8	5.1	3	5.3	3.1			4.7		4.7		4.6		4.6		95
100	4.1	2.2	4.5	2.4	4.7	2.5			4.1		4.5		4.5		4.5		100
105	3.6	1.6	3.9	1.9	4.1	2			3.6		4		4.2		4.2		105
110	3.1		3.4	1.4					3.1		3.4		3.6				110
115	2.7		2.9						2.7		3						115
120	2.3		2.5						2.3		2.5						120
125	2		2.1						2		2.2						125
130	1.7								1.7		1.8						130
135	1.4								1.4		1.5						135

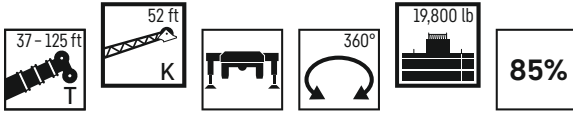
** telescopic loads - capacités de levage en télescopage

t_185_01111_01_000

Lifting capacities

Forces de levage

TK



	37 ft				90 ft						107 ft											
	0°	20°	40°	60°	0°	**	20°	**	40°	**	60°	**	0°	**	20°	**		40°	**	60°	**	
10	5.9																					10
11	6																					11
12	6.1																					12
13	6.1																					13
14	6.2																					14
15	6.2				6.5	6.5																15
16	6.1				6.5	6.5																16
17	6.1				6.5	6.5																17
18	6				6.5	6.5																18
19	6				6.5	6.5							5.7	5.7								19
20	5.9				6.4	6.4							5.7	5.7								20
22	5.8				6.4	6.4							5.7	5.7								22
24	5.7	5.1			6.3	6.3							5.7	5.7								24
26	5.5	4.9			6.3	6.3							5.7	5.7								26
28	5.4	4.8			6.2	6.2							5.6	5.6								28
30	5.3	4.7			6.1	6.1							5.6	5.6								30
32	5.1	4.6			6.1	6.1							5.5	5.5								32
34	5	4.5			6	6	5.1	5.1					5.5	5.5								34
36	4.9	4.4			6	6	5	5					5.5	5.5								36
38	4.8	4.3	3.8		5.9	5.9	4.9	4.9					5.4	5.4								38
40	4.7	4.2	3.8		5.8	5.8	4.8	4.8					5.4	5.4	4.6	4.6						40
45	4.4	4	3.6		5.6	5.6	4.6	4.6					5.2	5.2	4.5	4.5						45
50	4.2	3.8	3.5	3.2	5.4	5.4	4.5	4.5	3.8	3.8			5.1	5.1	4.4	4.4						50
55	4	3.7	3.4	3.1	5.2	5.2	4.3	4.3	3.7	3.7			5	5	4.2	4.2	3.6	3.6				55
60	3.8	3.5	3.3	3.1	5	5	4.2	4.2	3.6	3.6	3.2	3.2	4.8	4.8	4.1	4.1	3.6	3.6				60
65	3.6	3.4	3.3		4.8	4.8	4.1	4.1	3.5	3.5	3.2	3.2	4.7	4.7	4	4	3.5	3.5	3.2	3.2		65
70	3.5	3.4	3.3		4.7	4.7	3.9	3.9	3.5	3.5	3.1	3.1	4.6	4.6	3.9	3.9	3.5	3.5	3.1	3.1	3.1	70
75	3.4	3.4			4.5	4.5	3.8	3.8	3.4	3.4	3.1	3.1	4.4	4.4	3.8	3.8	3.4	3.4	3.1	3.1	3.1	75
80					4.3	4.3	3.8	3.8	3.4	3.4	3.1	3.1	4.3	4.3	3.7	3.7	3.4	3.4	3.1	3.1	3.1	80
85					4.2	4.2	3.7	3.7	3.3	3.3	3.1	3.1	4.2	4.2	3.7	3.7	3.3	3.3	3.1	3.1	3.1	85
90					4	4	3.6	3.6	3.3	3.3			4.1	4.1	3.6	3.6	3.3	3.3	3.1	3.1		90
95					3.9	3.9	3.5	3.5	3.3	3.3			4	4	3.5	3.5	3.3	3.3				95
100					3.8	3.8	3.5	3.5	3.3	3.3			3.9	3.9	3.5	3.5	3.3	3.3				100
105					3.7	3.7	3.4	3.4	3.3	3.3			3.7	3.7	3.4	3.4	3.3	3.3				105
110					3.6	3.6	3.4	3.4	3.3	3.3			3.5	3.5	3.4	3.4	3.3	3.3				110
115					3.4	3.4	3.4	3.4					3.2	3.2	3.3	3.3	3.3	3.3				115
120					3.1	3.1	3.3	3.3					2.8	2.8	3.1	3.1	3.3	3.3				120
125					2.7	2.7	2.9	2.9					2.4	2.4	2.8	2.8						125
130					2.4	2.4							2.1	2.1	2.4	2.4						130
135													1.8	1.8	2.1	2.1						135
140													1.6	1.5	1.7	1.7						140
145													1.3									145

** telescopic loads - capacités de levage en télescopage

t_185_01511_01_000

	117 ft						125 ft						
	0°	**	20°	**	40°	**	0°	**	20°	**	40°	**	
22	5.3	5.3											22
24	5.3	5.3											24
26	5.2	5.2											26
28	5.2	5.2											28
30	5.2	5.2											30
32	5.1	5.1											32
34	5.1	5.1											34
36	5.1	5.1											36
38	5	5											38
40	5	5											40
45	4.9	4.9	4.3	4.3									45
50	4.8	4.8	4.2	4.2									50
55	4.7	4.7	4.1	4.1									55
60	4.6	4.6	4	4	3.5	3.5							60
65	4.5	4.5	3.9	3.9	3.5	3.5							65
70	4.4	4.4	3.8	3.8	3.4	3.4	3.1	3.1					70
75	4.3	4.3	3.8	3.8	3.4	3.4	3.1	3.1					75
80	4.2	4.2	3.7	3.7	3.3	3.3	3.1	3.1					80
85	4.1	4	3.6	3.6	3.3	3.3	3.1	3.1					85
90	4	3.2	3.6	3.2	3.3	3	3.1	2.9					90
95	3.9	2.5	3.5	2.7	3.3	2.6	3.1	2.6					95
100	3.8	2	3.4	2.2	3.2	2.2							100
105	3.7	1.5	3.4	1.9	3.2	1.9							105
110	3.4		3.4	1.5	3.2	1.6							110
115	3.1		3.3		3.2	1.3							115
120	2.7		3.1		3.2								120
125	2.3		2.7		3								125
130	2		2.4		2.6								130
135	1.7		2										135
140	1.4		1.7										140
145			1.4										145

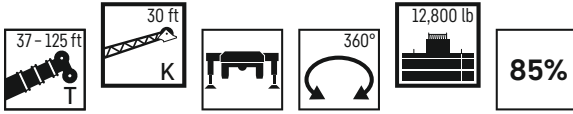
** telescopic loads - capacités de levage en télescopage

t_185_01511_01_000

Lifting capacities

Forces de levage

TK



	37 ft				90 ft								107 ft										
	0°	20°	40°	60°	0°	**	20°	**	40°	**	60°	**	0°	**	20°	**	40°	**	60°	**			
10	13.5																					10	
11	13.3																						11
12	13.2																						12
13	13.1	11.6			14.2	14.2																	13
14	12.9	11.5			14.1	14.1																	14
15	12.8	11.3			14.1	14.1																	15
16	12.6	11.2			14	14																	16
17	12.5	11			14	14							11.7	11.7									17
18	12.3	10.9			13.9	13.9							11.7	11.7									18
19	12.2	10.7			13.9	13.9							11.7	11.7									19
20	12	10.6			13.8	13.8							11.7	11.7									20
22	11.7	10.3	8.7		13.7	13.7							11.6	11.6									22
24	11.4	10.1	8.5		13.5	13.5	11.5	11.5					11.5	11.5									24
26	11.1	9.7	8.4	6.3	13.4	13.4	11.4	11.4					11.5	11.5									26
28	10.8	9.3	8.2	6.2	13.2	13.2	11.2	11.2					11.3	11.3	9.2	9.2							28
30	10.5	8.9	8.1	6.1	13.1	13.1	11	11					11.2	11.2	9.1	9.1							30
32	10.2	8.7	8	6.1	12.9	12.9	10.9	10.9	8.7	8.7			11.1	11.1	9.1	9.1							32
34	10	8.5	7.9	6	12.8	12.8	10.7	10.7	8.6	8.6			11	11	9.1	9.1							34
36	9.7	8.4	7.8	6	12.6	12.6	10.5	10.5	8.5	8.5			10.9	10.9	9	9							36
38	9.4	8.2	7.8	6	12.4	12.4	10.4	10.4	8.4	8.4	6.2	6.2	10.8	10.8	9	9	8.2	8.2					38
40	9	8.1	7.7	6	12.3	12.3	10.2	10.2	8.3	8.3	6.2	6.2	10.6	10.6	8.9	8.9	8.1	8.1					40
45	8.3	7.9	7.7		11.8	11.8	9.9	9.9	8.2	8.2	6.1	6.1	10	10	8.8	8.8	8	8	6.1	6.1			45
50	7.6	7.8			11.4	11.4	9.3	9.3	8	8	6	6	9.8	9.8	8.7	8.7	7.9	7.9	6	6			50
55	7	7.2			10.8	10.8	8.8	8.8	7.9	7.9	6	6	9.6	9.6	8.6	8.6	7.8	7.8	6	6			55
60					9.5	9.5	8.6	8.6	7.8	7.8	6	6	8.8	8.8	8.4	8.4	7.7	7.7	6	6			60
65					8.3	8.3	8.4	8.4	7.8	7.8			7.7	7.7	8.1	8.1	7.6	7.6	6	6			65
70					7.2	7.2	7.8	7.8	7.7	7.7			6.7	6.7	7.4	7.4	7.5	7.5	6	6			70
75					6.3	6.3	6.8	6.8	7.1	7.1			5.9	5.9	6.5	6.5	6.9	6.9					75
80					5.4	5.4	5.9	5.9	6.2	6.2			5.1	5.1	5.7	5.7	6.1	6.1					80
85					4.7	4.7	5.1	5.1	5.3	5.3			4.5	4.5	5	5	5.3	5.3					85
90					4.1	4.1	4.4	4.4					3.9	3.9	4.3	4.3	4.6	4.6					90
95					3.5	3.5	3.8	3.8					3.3	3.3	3.7	3.7	3.9	3.9					95
100					3	3	3.2	3.2					2.8	2.8	3.2	3.2	3.3	3.3					100
105					2.6	2.6							2.4	2.4	2.7	2.7							105
110													2	2	2.2	2.2							110
115													1.6	1.6	1.8	1.8							115
120													1.3	1.3									120

** telescopic loads - capacités de levage en télescopage

t_185_01116_01_000

	117 ft								125 ft								
	0°	**	20°	**	40°	**	60°	**	0°	**	20°	**	40°	**	60°	**	
20	10.4	10.4															20
22	10.3	10.3							8.6	6.5							22
24	10	10							8.6	6.2							24
26	9.6	9.6							8.6	5.9							26
28	9.5	9.5							8.5	5.7							28
30	9.4	9.3							8.5	5.5							30
32	9.3	9.1	8.1	8.1					8.4	5.3							32
34	9.2	8.9	8	8					8.4	5.1	7.4	4.8					34
36	9.1	8.7	8	8					8.3	4.9	7.4	4.6					36
38	9	8.5	7.9	7.9					8.2	4.7	7.4	4.5					38
40	8.9	8.3	7.9	7.8	7.4	7.4			8.1	4.5	7.3	4.3					40
45	8.8	7.8	7.8	7.4	7.3	7.2	6.1	6.1	7.9	4.1	7.1	3.9	6.7	3.8			45
50	8.6	7.4	7.8	7	7.3	6.8	6	6	7.6	3.7	6.8	3.6	6.4	3.5	6.1	3.3	50
55	8.5	7	7.7	6.7	7.3	6.5	6	6	7.2	3.4	6.5	3.2	6.1	2.9	5.9	2.7	55
60	8.4	6.6	7.7	6.4	7.3	6.2	6	6	6.8	2.8	6.2	2.6	5.8	2.4	5.7	2.3	60
65	7.4	6.3	7.6	6.1	7.3	5.9	6	5.8	6.5	2	6	2	5.6	1.9	5.5	1.9	65
70	6.4	6	7.1	5.8	7.3	5.6	6	5.6	6.1	1.4	5.7	1.6	5.4	1.5	5.3	1.5	70
75	5.6	5.6	6.2	5.5	6.7	5.4	6	5.3	5.5		5.5		5.2		5.2		75
80	4.9	4.9	5.4	5.3	5.9	5.2			4.8		5.2		5		5		80
85	4.2	4.2	4.7	4.6	5.1	4.6			4.2		4.7		4.9				85
90	3.7	3.6	4.1	3.8	4.5	3.8			3.6		4.1		4.4				90
95	3.2	2.8	3.6	3	3.9	3.1			3.1		3.6		3.9				95
100	2.7	2.2	3.1	2.4	3.3	2.5			2.7		3.1		3.3				100
105	2.3	1.6	2.6	1.9	2.8	2			2.3		2.6		2.8				105
110	1.9		2.2	1.4					1.9		2.2		2.4				110
115	1.5		1.8						1.5		1.8						115
120	1.2		1.4						1.2		1.4						120

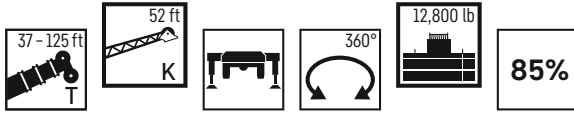
** telescopic loads - capacités de levage en télescopage

t_185_01116_01_000

Lifting capacities

Forces de levage

TK



	37 ft				90 ft								107 ft									
	0°	20°	40°	60°	0°	**	20°	**	40°	**	60°	**	0°	**	20°	**	40°	**	60°	**		
10	5.9																					10
11	6																					11
12	6.1																					12
13	6.1																					13
14	6.2																					14
15	6.2					6.5	6.5															15
16	6.1					6.5	6.5															16
17	6.1					6.5	6.5															17
18	6					6.5	6.5															18
19	6					6.5	6.5						5.7	5.7								19
20	5.9					6.4	6.4						5.7	5.7								20
22	5.8					6.4	6.4						5.7	5.7								22
24	5.7	5.1				6.3	6.3						5.7	5.7								24
26	5.5	4.9				6.3	6.3						5.7	5.7								26
28	5.4	4.8				6.2	6.2						5.6	5.6								28
30	5.3	4.7				6.1	6.1						5.6	5.6								30
32	5.1	4.6				6.1	6.1						5.5	5.5								32
34	5	4.5				6	6	5.1	5.1				5.5	5.5								34
36	4.9	4.4				6	6	5	5				5.5	5.5								36
38	4.8	4.3	3.8			5.9	5.9	4.9	4.9				5.4	5.4								38
40	4.7	4.2	3.8			5.8	5.8	4.8	4.8				5.4	5.4	4.6	4.6						40
45	4.4	4	3.6			5.6	5.6	4.6	4.6				5.2	5.2	4.5	4.5						45
50	4.2	3.8	3.5	3.2		5.4	5.4	4.5	4.5	3.8	3.8		5.1	5.1	4.4	4.4						50
55	4	3.7	3.4	3.1		5.2	5.2	4.3	4.3	3.7	3.7		5	5	4.2	4.2			3.6	3.6		55
60	3.8	3.5	3.3	3.1		5	5	4.2	4.2	3.6	3.6	3.2	3.2	4.8	4.8	4.1	4.1	3.6	3.6			60
65	3.6	3.4	3.3			4.8	4.8	4.1	4.1	3.5	3.5	3.2	3.2	4.7	4.7	4	4	3.5	3.5	3.2	3.2	65
70	3.5	3.4	3.3			4.7	4.7	3.9	3.9	3.5	3.5	3.1	3.1	4.6	4.6	3.9	3.9	3.5	3.5	3.1	3.1	70
75	3.4	3.4				4.5	4.5	3.8	3.8	3.4	3.4	3.1	3.1	4.4	4.4	3.8	3.8	3.4	3.4	3.1	3.1	75
80						4.3	4.3	3.8	3.8	3.4	3.4	3.1	3.1	4.3	4.3	3.7	3.7	3.4	3.4	3.1	3.1	80
85						4.2	4.2	3.7	3.7	3.3	3.3	3.1	3.1	4.2	4.2	3.7	3.7	3.3	3.3	3.1	3.1	85
90						4	4	3.6	3.6	3.3	3.3			4	4	3.6	3.6	3.3	3.3	3.1	3.1	90
95						3.8	3.8	3.5	3.5	3.3	3.3			3.6	3.6	3.5	3.5	3.3	3.3			95
100						3.5	3.5	3.5	3.5	3.3	3.3			3.2	3.2	3.5	3.5	3.3	3.3			100
105						3	3	3.3	3.3	3.3	3.3			2.8	2.8	3.3	3.3	3.3	3.3			105
110						2.6	2.6	3	3	3.2	3.2			2.4	2.4	2.9	2.9	3.2	3.2			110
115						2.3	2.3	2.6	2.6					2	2	2.5	2.5	2.8	2.8			115
120						1.9	1.9	2.2	2.2					1.7	1.7	2.1	2.1	2.3	2.3			120
125						1.7	1.7	1.8	1.8					1.4	1.4	1.7	1.7					125
130						1.4	1.4									1.4	1.4					130

** telescopic loads - capacités de levage en télescopage

t_185_01516_01_000

	117 ft						125 ft															
	0°	**	20°	**	40°	**	0°	**	20°	**	40°	**	0°	**	20°		**	40°	**			
22	5.3	5.3																				22
24	5.3	5.3											4.9	4.9								24
26	5.2	5.2											4.9	4.9								26
28	5.2	5.2											4.9	4.9								28
30	5.2	5.2											4.9	4.8								30
32	5.1	5.1											4.8	4.6								32
34	5.1	5.1											4.8	4.5								34
36	5.1	5.1											4.8	4.3								36
38	5	5											4.8	4.1								38
40	5	5											4.7	3.9								40
45	4.9	4.9	4.3	4.3									4.6	3.5	4		3.4					45
50	4.8	4.8	4.2	4.2									4.5	3.2	4		3					50
55	4.7	4.7	4.1	4.1									4.5	2.7	4		2.3					55
60	4.6	4.6	4	4	3.5	3.5							4.4	2	3.9		1.8					60
65	4.5	4.5	3.9	3.9	3.5	3.5							4.3	1.5	3.8		1.4		3.4	1.4		65
70	4.4	4.4	3.8	3.8	3.4	3.4							4.3		3.8				3.4			70
75	4.3	4.3	3.8	3.8	3.4	3.4							4.2		3.7				3.3			75
80	4.2	4.2	3.7	3.7	3.3	3.3							4.1		3.6				3.3			80
85	4.1	4	3.6	3.6	3.3	3.3							4		3.6				3.3			85
90	3.8	3.2	3.6	3.2	3.3	3							3.7		3.5				3.2			90
95	3.4	2.5	3.5	2.7	3.3	2.6							3.2		3.4				3.2			95
100	2.9	2	3.4	2.2	3.2	2.2							2.8		3.3				3.2			100
105	2.5	1.5	3.1	1.9	3.2	1.9							2.4		3				3.1			105
110	2.1		2.7	1.5	3.1	1.6							2		2.6				3			110
115	1.8		2.3		2.7	1.3							1.7		2.2				2.6			115
120	1.5		2		2.3								1.4		1.8				2.2			120
125	1.2		1.6		1.9										1.5				1.8			125
130			1.3		1.6														1.5			130

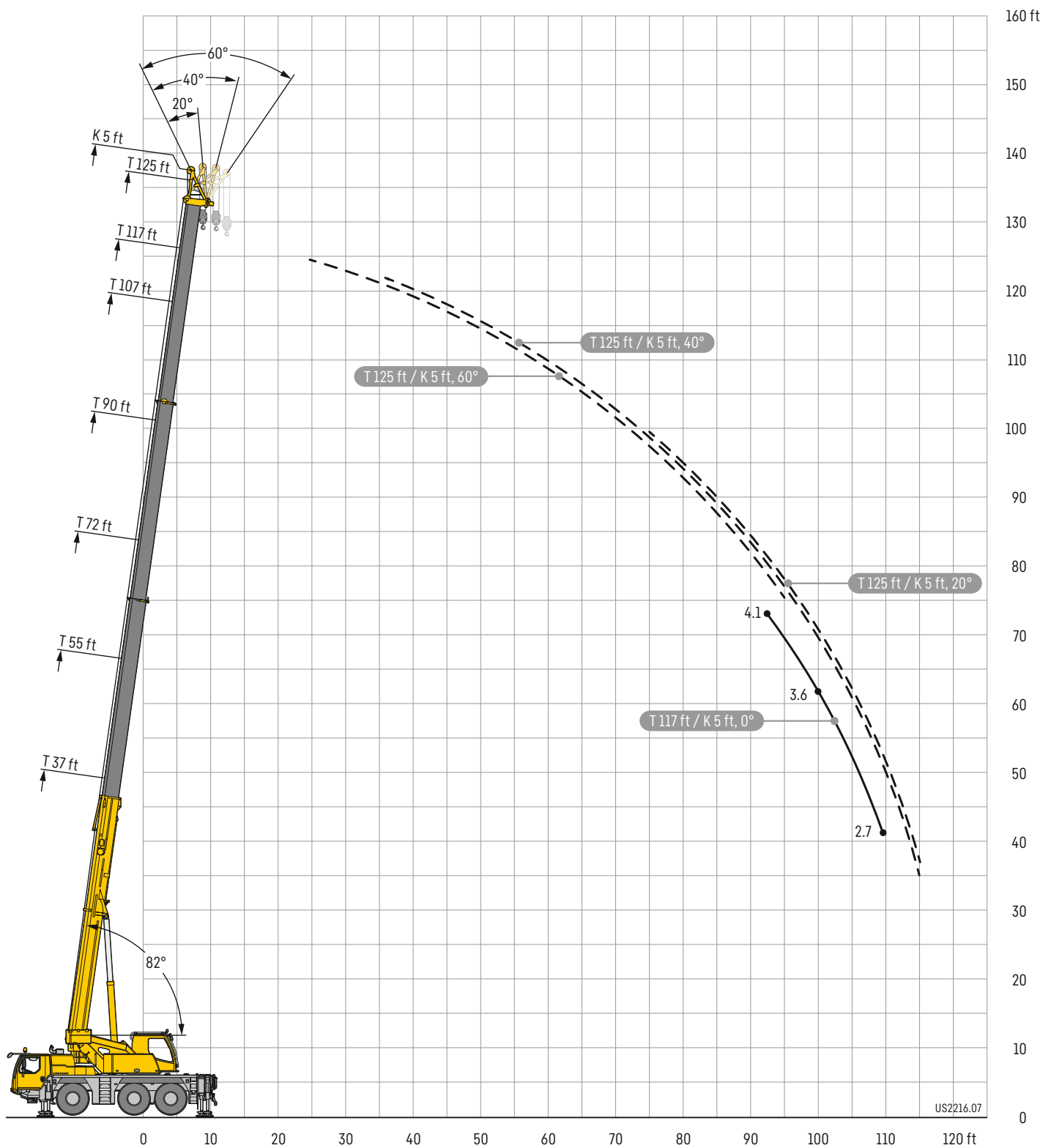
** telescopic loads - capacités de levage en télescopage

t_185_01516_01_000

Lifting heights

Hauteurs de levage

THK



Lifting capacities

Forces de levage

THK

37 - 125 ft 5 ft HK 360° 19,800 lb 85%

	37 ft				55 ft								72 ft								90 ft									
	HK 5 ft																													
	0°	20°	40°	60°	0°	**	20°	**	40°	**	60°	**	0°	**	20°	**	40°	**	60°	**	0°	**	20°	**	40°	**	60°	**		
10			57.5	48.3					53.8	43	48.3	42.4							48.3	40.3										10
11			57.5	48.3					54.4	42.9	48.3	42.3							48.3	40.1									11	
12			57.5	48.3					55	42.9	48.3	42.3							48.3	40									12	
13			57.4	48.3					55.6	42.9	48.3	42.3							48.3	39.8									13	
14			56.9	48.3					56.3	42.9	48.3	42.3							48.3	39.7									14	
15			55.9	48.3					57	42.9	48.3	42.2							48.3	39.5							33.7	32.2	15	
16		57.5	54.9	48.2					57.3	42.9	48.3	42.2							48.1	39.4							33.3	32	16	
17		57.5	54	48.1					57.5	42.9	48.3	42.2			50.2	39.8			47.6	39.3							32.9	31.8	17	
18		57.5	52.7	48.1					57.5	42.9	48.3	42.2			49.5	39.7			47	39.1							32.4	31.6	18	
19		57.3	51	47.5					57.1	42.9	48.3	42.2			48.9	39.6			46.3	39							31.9	31.4	19	
20		55.1	49.3	46.7					55.6	42.9	48.3	42.2			47.9	39.5			45.7	38.7							31.3	31.2	20	
22		50.1	46.2	45.3					50.9	42.9	48.2	42.2			45.9	39.3			44.2	37.8							30.1	30.1	22	
24	44.8	45.1	43.4	44.1					45.6	42.9	46	42.2			43.7	39.1			42.7	37.3					29.3	29.3	28.7	28.7	24	
26	40.7	41	40.7	41.5					41.4	41.4	41.8	41.2			40.1	39			40.5	37.2					28.1	28.1	27.4	27.4	26	
28	36.3	36.5	36.8	29.8			36.7	36.7	37.1	37.1	37.5	37.5			36.6	36.5			37.1	36.7					27	27	26.3	26.3	28	
30	31.9	33.2	33.3	1.7			33.3	33.3	33.6	33.6	33.8	33.8			33.5	33.5			33.9	33.9					25.9	25.9	25.2	25.2	30	
32			2.1				30.2	30.2	30.7	30.7	30.9	30.9			30.4	30.4			31	31					24.8	24.8	24.3	24.3	32	
34							27.4	27.4	27.8	27.8	28.2	28.2			27.6	27.6			28	28					23.6	23.6	23.3	23.3	34	
36							25.1	25.1	25.4	25.4	25.6	25.6			25.4	25.4			25.7	25.7					22.7	22.7	22.5	22.5	36	
38					23	23	23.3	23.3	23.5	23.5	23.6	23.6			23.5	23.5			23.7	23.7					21.9	21.9	21.7	21.7	38	
40					21.3	21.3	21.6	21.6	21.7	21.7	21.9	21.9			21.5	21.5			22	22					21	21	21	21	40	
45					17.3	17.3	17.4	17.4	17.5	17.5					17.6	17.6			17.7	17.7					17.6	17.6	17.7	17.7	45	
50															14.8	14.8			15	15					14.8	14.8	15	15	50	
55															12.6	12.6			12.7	12.7					12.8	12.8	12.9	12.9	55	
60															10.8	10.8			11	11					11.1	11.1	11.2	11.2	60	
65															9.2	9.2			9.3	9.3					9.4	9.4	9.6	9.6	65	
70																			8	8					8	8	8.1	8.1	70	
75																			7.1	7.1					7.2	7.2	7.3	7.3	75	
80																			6.2	6.2					6.3	6.3	6.3	6.3	80	

** telescopic loads · capacités de levage en télescopage

t_185_04111_01_000

	107 ft				117 ft								125 ft																
	HK 5 ft																												
	0°	**	20°	**	40°	**	60°	**	0°	**	20°	**	40°	**	60°	**	20°	**	40°	**		60°	**						
22						22.4	20.1																						22
24						21.9	19.4																						24
26						21.2	18.3																				14.4	6.5	26
28						20.4	17.7																				14.1	6.3	28
30					20	17.8	17.4																				13.8	6.1	30
32					19.2	17.4	17.2																				13.5	5.9	32
34					18.5	17.1	18.4	16.9					16.3	11.4	16	11.2											13.1	5.7	34
36					17.8	16.9	17.7	16.7					15.9	11.1	15.6	11								12.9	5.6	12.8	5.5	36	
38					17.1	16.6	17	16.4					15.4	10.9	15.1	10.7								12.6	5.4	12.5	5.3	38	
40					16.4	16.2	16.4	16.1					14.9	10.6	14.6	10.4								12.3	5.2	12.2	5.1	40	
45					14.8	14.8	14.8	14.8					13.9	10.1	13.7	8.9								11.6	4.8	11.6	4.7	45	
50					13.7	13.7	13.7	13.7					12.9	8.8	12.7	8.2								11	4.4	10.9	4.4	50	
55					12.7	12.7	12.7	12.7					12.1	8	11.9	7.9								10.4	3.6	10.3	3.6	55	
60					11.3	11.3	11.4	11.4					10.9	7.6	11.1	7.6								9.8	2.7	9.8	2.7	60	
65			9.3	9.3	9.7	9.7	9.4	9.4					9.5	7.3	9.4	7.3								9.3	2	9.3	2	65	
70			8.1	8.1	8.2	8.2	8.3	8.3					8.1	7.1	8.2	7.1	8.3	6.9					1.4	8.2	1.4	8.3	1.5	70	
75			7.2	7.2	7.3	7.3	7.4	7.4					7.2	6	7.3	5.9	7.4	5.9	7.2					7.3		7.3		75	
80			6.3	6.3	6.4	6.4	6.5	6.5					6.4	4.7	6.4	4.7	6.5	4.7	6.4					6.5		6.5		80	
85	5.4	5.4	5.5	5.5	5.6	5.6							5.6	3.7	5.6	3.7	5.7	3.8	5.6					5.6		5.7		85	
90	4.7	4.7	4.8	4.8	4.8	4.8							4.8	2.9	4.9	2.9	5	3	4.8					4.9		5		90	
95	4.1	4.1	4.2	4.2	4.2	4.2							4.1	2.1	4.2	2.2	4.2	2.2	4.2					4.2		4.3		95	
100	3.6	3.2	3.6	3.6									3.6	1.5	3.6	1.6	3.7	1.6	3.6					3.6		3.7		100	
105													3.1		3.1		3.2		3.1					3.1		3.2		105	
110													2.7		2.7				2.7					2.7		2.7		110	
115																			2.3					2.3				115	

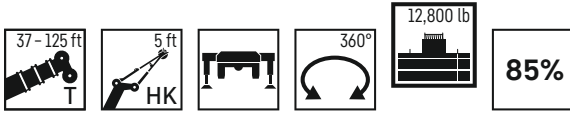
** telescopic loads · capacités de levage en télescopage

t_185_04111_01_000

Lifting capacities

Forces de levage

THK



	37 ft				55 ft				72 ft				90 ft															
	HK 5 ft																											
	0°	20°	40°	60°	0°	**	20°	**	40°	**	60°	**	0°	**	20°	**		40°	**	60°	**							
10			57.5	48.3					53.8	43	48.3	42.4							48.3	40.3							10	
11			57.5	48.3					54.4	42.9	48.3	42.3							48.3	40.1							11	
12			57.5	48.3					55	42.9	48.3	42.3							48.3	40							12	
13			57.4	48.3					55.6	42.9	48.3	42.3							48.3	39.8							13	
14			56.9	48.3					56.3	42.9	48.3	42.3							48.3	39.7							14	
15			55.9	48.3					57	42.9	48.3	42.2							48.3	39.5						33.7	32.2	15
16		57.5	54.9	48.2					57.3	42.9	48.3	42.2							48.1	39.4					33.3	32	16	
17		57.5	54	48.1					57.5	42.9	48.3	42.2		50.2	39.8	47.6	39.3							32.9	31.8	17		
18		57.3	52.7	48.1					57.5	42.9	48.3	42.2		49.5	39.7	47	39.1							32.4	31.6	18		
19		56.1	51	47.5					56.4	42.9	48.3	42.2		48.9	39.6	46.3	39							31.9	31.4	19		
20		53	49.3	46.7					53	42.9	48.3	42.2		46.9	39.5	45.7	38.7									31.3	31.2	20
22		47	46.2	45.1					46.7	42.9	47.3	42.2		42.7	39.1	42.6	37.8									30.1	30.1	22
24	41.1	41.5	41.7	42.1					41.4	41.4	42	41.4		37.9	37.9	38.6	36.6					29.3	29.3	28.7	28.7	24		
26	36.1	36.4	36.7	37.1					36.9	36.9	37.4	37.4		33.9	33.9	34.5	34.5					28.1	28.1	27.4	27.4	26		
28	32.4	32.7	32.9	26.7		32.7	32.7		33.1	33.1	33.5	33.5		30.6	30.6	31	31					27	27	26.3	26.3	28		
30	28.8	29.3	29.4	1.7		29.2	29.2		29.5	29.5	30.2	30.2		27.8	27.8	28.1	28.1					25.6	25.6	25.1	25.1	30		
32			2.1			26.4	26.4		26.6	26.6	26.8	26.8		25.3	25.3	25.7	25.7					23.9	23.9	24	24	32		
34						23.9	23.9		24.1	24.1	24.4	24.4		23.2	23.2	23.6	23.6					21.9	21.9	22.3	22.3	34		
36						21.5	21.5		21.9	21.9	22	22		21.4	21.4	21.7	21.7					20.2	20.2	20.5	20.5	36		
38					19.3	19.3	19.6	19.6		19.8	19.8	20	20		19.7	19.7	20	20					18.7	18.7	19	19	38	
40					17.7	17.7	17.9	17.9		18.1	18.1	18.2	18.2		18	18	18.2	18.2					17.4	17.4	17.6	17.6	40	
45					14.3	14.3	14.5	14.5		14.7	14.7				14.7	14.7	14.9	14.9					14.6	14.6	14.8	14.8	45	
50															12.1	12.3	12.3	12.5	12.5									50
55														10	10	10.2	10.2	10.3	10.3	10.4	10.4							55
60														8.5	8.5	8.6	8.6	8.7	8.7									60
65														7.3	7.3	7.3	7.3	7.4	7.4									65
70																						6.1	6.1	6.3	6.3	6.4	6.4	70
75																						5.2	5.2	5.3	5.3	5.4	5.4	75
80																						4.5	4.5	4.6	4.6	4.6	4.6	80

** telescopic loads - capacités de levage en télescopage

t_185.04116.01_000

	107 ft				117 ft				125 ft																							
	HK 5 ft																															
	0°	**	20°	**	40°	**	60°	**	0°	**	20°	**		40°	**	60°	**	20°	**	40°	**	60°	**									
22						22.4	20.1																				22					
24						21.9	19.4																					24				
26						21.2	18.3																			14.4	6.5	26				
28						20.4	17.7																			14.1	6.3	28				
30					20	17.8	19.7	17.4																			13.8	6.1	30			
32					19.2	17.4	19.1	17.2																				13.5	5.9	32		
34					18.5	17.1	18.4	16.9					16.3	11.4	16	11.2												13.1	5.7	34		
36					17.8	16.9	17.7	16.7					15.9	11.1	15.6	11									12.9	5.6	12.8	5.5	36			
38					17.1	16.6	17	16.4					15.4	10.9	15.1	10.7												12.6	5.4	12.5	5.3	38
40					16.3	16.1	16.3	16.1					14.9	10.6	14.6	10.4												12.3	5.2	12.2	5.1	40
45					13.9	13.9	14.1	14.1					13.4	10.1	13.5	8.9												11.6	4.8	11.6	4.7	45
50					11.8	11.8	12	12					11.4	8.8	11.8	8.2												10.9	4.4	10.9	4.4	50
55					10.1	10.1	10.3	10.3					9.8	8	10.1	7.9												9.7	3.6	9.9	3.6	55
60					8.7	8.7	8.8	8.8					8.5	7.6	8.7	7.6												8.4	2.7	8.5	2.7	60
65					7.4	7.4	7.5	7.5	7.6	7.6			7.3	7.2	7.5	7.3												7.2	2	7.4	2	65
70					6.3	6.3	6.5	6.5	6.6	6.6			6.3	6.3	6.5	6.5											1.4	6.3	1.4	6.4	1.5	70
75					5.4	5.4	5.5	5.5	5.6	5.6			5.4	5.4	5.5	5.5	5.6	5.6	5.3									5.4	5.4	5.5	5.5	75
80					4.6	4.6	4.7	4.7	4.7	4.7			4.7	4.6	4.7	4.7	4.8	4.7	4.6									4.7	4.7	4.8	4.8	80
85	3.8	3.8	3.9	3.9	3.9	3.9							3.9	3.7	4	3.7	4.1	3.8	3.9								4		4.1		85	
90	3.2	3.2	3.3	3.3	3.3	3.3							3.3	2.9	3.3	2.9	3.4	3	3.3								3.4		3.5		90	
95	2.6	2.6	2.7	2.7	2.8	2.8							2.7	2.1	2.8	2.2	2.8	2.2	2.7								2.7		2.8		95	
100	2.2	2.2	2.3	2.3									2.2	1.5	2.3	1.6	2.3	1.6	2.3								2.3		2.3		100	
105													1.8		1.8		1.9		1.8									1.8		1.9		105
110													1.4		1.5				1.5									1.5		1.5		110

** telescopic loads - capacités de levage en télescopage

t_185.04116.01_000

Equipment

Crane carrier

Frame	Liebherr designed and manufactured, box-type, torsion resistant design of hightensile fine grained structural steel.
Outriggers	4-point supporting system, hydraulically telescopic into horizontal and vertical direction. Operation with remote control, automatic support leveling, electronic inclination display.
Engine	6-cylinder Diesel, make Liebherr, watercooled, output 270 kW (367 h.p.), max. torque 1407 lb-ft. Exhaust emissions to (EU 2016/1628 and EPA/CARB or ECE-R.96, spark arrestor. Fuel reservoir: 92 gallons.
Transmission	ZF 12-speed gear box with automatic control system. Two-stage transfer case with lockable transfer differential.
Axles	All axles steered, axle 2 and 3 driven with lockable differential gears.
Suspension	All axles with hydropneumatic suspension and hydraulic locking facility.
Tyres	6 tyres. Tyre size: 445/95 R 25 (16.00 R 25).
Steering	2-circuit system with hydraulic servo steering and auxiliary pump circuit. Active speed depending rear axle steering, special steering programs for various driving situations.
Brakes	Service brake: all-wheel servo-air brake, all axles are equipped with disc brakes, dual circuit. Hand brake: Spring-loaded, acting on all wheels of axles 1 and 3. Sustained-action brake: Exhaust retarder with additional Liebherr braking system.
Driver's cab	Spacious corrosion resistant with comfort furnishings, mounted on rubber shock absorbers, safety glazing.
Electrical system	Modern data bus technique, 24 Volt DC.

Crane superstructure

Frame	Liebherr-made, torsion-resistant, welded construction of high-tensile structural steel, single-row ball bearing slewing ring.
Crane drive	Diesel-hydraulic with 1 axial variable displacement pump with automatic capacity control, 1 double gear pump, driven by the carrier Diesel engine, open regulated oil circuits with electrically controlled "load sensing", operation of 4 movements simultaneously.
Control	Electrical control of drives by self-centering joysticks, data transfer with Liebherr System Bus (LSB).
Hoist gear	Axial piston fixed displacement motor, hoist drum with integrated planetary gear and spring-loaded static brake, actuation by open regulated oil circuit.
Luffing gear	1 differential ram with pilot operated brake valve.
Slewing gear	Axial piston fixed displacement motor, planetary gear, spring-loaded static brake.
Crane cab	Corrosion resistant, large field of vision, safety glazing.
Safety devices	LICCON2 safe load indicator, hoist limit switch, safety valves against pipe and hose rupture, test system for servicing.
Telescopic boom	1 base section and 3 telescopic sections. The telescopes are extended by a three-stage hydromechanic telescoping system with double pulley block. Boom telescopic under partial load. Boom length: 37 ft - 125 ft.
Counterweight	15,400 lb
Electrical system	Modern data bus technique, 24 Volt DC.

Additional equipment

K	Single folding jib, 30 ft Double swing-away jib 30 ft - 52 ft Mechanical adjustment 0°, 20°, 40°, 60°
HK	Assembly jib 5 ft Mechanical adjustment 0°; 20°; 40°; 60°
Additional counterweight	4,400 lb for a total counterweight of 19,800 lb
Tyres	6 tyres. Tyre size: 525/80 R 25 (20.5 R 25).
Drive 6 x 6	Axle 1 additionally driven.

Other items of equipment available on request.

Équipement

Châssis porteur

Cadre	Fabrication Liebherr, construction en caisson indéformable, en acier à haute résistance à grains fins.
Calage	Dispositif de calage horizontal et vertical en 4 points, entièrement déployable hydrauliquement. Utilisation avec commande à distance, mise à niveau automatique du calage, inclinomètre électronique.
Moteur	Moteur diesel, 6 cylindres, fabriqué par Liebherr, à refroidissement par eau, de 270 kW (367 ch), couple max. 1407 lb-ft. Emissions des gaz d'échappement conformes aux directives (EU) 2016/1628 et EPA/CARB ou ECE-R.96, pare-étincelles. Capacité du réservoir à carburant: 92 gallons.
Boîte de vitesse	Boîte de vitesses ZF à 12 rapports, mécanisme automatisé à commande. Boîte de transfert à 2 étages avec blocage de différentiel.
Essieux	Tous les essieux sont directeurs, les essieux 2 et 3 sont entraînés par des engrenages différentiels blocables.
Suspension	Tous les essieux sont suspendus hydropneumatiquement et blocable hydrauliquement.
Pneumatiques	6 roues. Taille: 445/95 R 25 (16.00 R 25).
Direction	2 circuits avec direction assistée hydraulique avec pompe auxiliaire entraînée par essieu. Direction active des essieux arrière et dépendante de la vitesse, programmes de direction spéciaux pour les différents modes de déplacement.
Freins	Freins de service: servofrein à air comprimé, tous les essieux sont munis de freins à disque, à 2 circuits. Frein à main: par cylindres à ressorts, agissant sur les roues des essieux 1 et 3. Frein à régime continu: Ralentisseur sur échappement avec système de freinage additionnel Liebherr.
Cabine	Spacieuse cabine, traitement anticorrosion, équipement «grand confort», suspension par silentblochs, vitrage de sécurité.
Installation électrique	Technique moderne de transmission de données par BUS de données, courant continu 24 Volts.

Partie tournante

Cadre	Fabrication Liebherr, construction mécano-soudée en tôle d'acier à haute résistance à grains fins. Couronne d'orientation à 1 rangée de billes.
Entraînement	Diesel hydraulique avec 1 pompe double à débit variable et régulation de puissance automatique, 1 pompe à engrenages double, entraînés par le moteur Diesel du porteur, circuits hydrauliques ouverts avec «load sensing», réglé électriquement. 4 mouvements simultanés praticables.
Commande	Commande électrique des mécanismes par leviers de manoeuvre à centrage automatique, Liebherr Système Bus (LSB) pour la transmission.
Mécanisme de levage	Moteur hydraulique à cylindrée constante, treuil à réducteur planétaire incorporé et frein d'arrêt à ressort, en circuit hydraulique ouvert ou fermé et réglé.
Mécanisme de relevage	1 vérin différentiel à soupape pilotage de freinage.
Dispositif de rotation	Moteur à cylindrée constante à pistons axiaux, engrenage planétaire, frein d'arrêt commandé par ressort.
Cabine de grue	Résistante à la corrosion, visibilité panoramique, avec vitrage de sécurité.
Dispositif de sécurité	Contrôleur de charge LICCON2, fin de course crochet haut, clapets de sécurité en cas de ruptures de flexibles.
Flèche télescopique	1 élément de base et 3 éléments télescopiques. Les éléments télescopiques sont sortis via une poulie moufle à 2 brins grâce à un système de télescopage hydromécanique à 3 positions. Flèche télescopable sous contrepoids partiel. Longueur de flèche: 37 ft - 125 ft.
Contrepoids	15,400 lb
Installation électrique	Technique moderne de transmission de données par BUS de données, courant continu 24 Volts.

Équipement supplémentaire

K	Fléchette pliante simple, longueur 30 ft Double fléchette pliante 30 ft - 52 ft Réglage mécanique à 0°, 20°, 40°, 60°
HK	Fléchette de montage 5 ft Réglage mécanique 0°; 20°; 40°; 60°
Contrepoids additionnel	4,400 lb pour un contrepoids total de 19,800 lb.
Pneumatiques	6 roues. Taille: 525/80 R 25 (20.5 R 25).
Entraînement 6 x 6	Essieu 1 est entraîné additionnellement.

Autres équipements supplémentaires sur demande.

Description of symbols

Explication des symboles



Max. capacity
Capacité max.



Max. supporting forces
Forces d'appui max.



Standard
Norme



Max. hoist height
Hauteur de levage max.



Outriggers front
Calage avant



Radius
Portée



Max. radius
Portée max.



Outriggers rear
Calage arrière



Telescopic boom
Flèche télescopique



Vehicle width
Largeur du véhicule



Crane superstructure
Partie tournante de la grue



Swing away jib
Fléchette pliante



Tyres
Pneumatiques



infinitely variable
en continu



Assembly jib
Fléchette de montage



Hookblock/Capacity
Moufle à crochet/Capacité de charge



Rope diameter
Diamètre



No. of sheaves
Poulies



Rope length
Longueur du câble



No. of lines
Brins



Max. single line pull
Effort au brin maxi.



Weight
Poids



Hoist gear
Treuil de levage



Crane carrier
Châssis porteur



Slewing speeds
Vitesses d'orientation



Driving speed
Vitesse de translation



Boom length
Longueur de la flèche



Gradability
Aptitude à gravir les pentes



Boom position
Position de la flèche



Transmission
Boîte de vitesse



Counterweight
Contrepoids



Gear
Vitesse



Outriggers
Calage



Onroad gear
Vitesse de route



Outriggers - free on tyres
Calage - libre sur pneus



Crawl speed
Marche lente



Slewing gear / Working area
Mécanisme d'orientation / Plage de travail

Remarks

1. The lifting capacities do not exceed 85 % of the tipping load according to ASME B 30.5. The crane's structural steelwork is in accordance with EN 13000 and ASME B 30.5.
2. For the calculation of the load charts at least a wind speed of 30 ft/s (9 m/s, 20 mph) and regarding the load a sail area of 1 m² per ton load and a wind resistance coefficient of 1.2 on the load have been taken into account. For lifting of loads with large sail areas and/or high wind resistance coefficients the maximum wind speed as stated in the load charts has to be reduced.
3. The lifting capacities stated are valid for lifting operation only (corresponding with crane classification according to ISO 4301-1, crane group A1).
4. Lifting capacities are given in kip.
5. The weight of the hook blocks and hooks is part of the load and therefore it must be deducted from the lifting capacities.
6. Working radii are measured from the slewing center.
7. The stated lengths of the telescopic boom are maximum values and may deviate slightly.
8. The lifting capacities given for the telescopic boom apply if the folding jib is removed.
9. Subject to modification of lifting capacities.
10. Lifting capacities above 92,600 lb only with additional pulley block.
11. The data of this brochure serves only for general information. All information is provided without warranty. Instructions for the correct commissioning of the crane please take from the operation manual and the load chart book.
12. The illustrations in this brochure may feature accessories and special equipment not included in the standard scope of delivery.

Remarques

1. La capacité de charge ne doit pas dépasser 85 % de la charge de basculement conformément à ASME B 30.5. La structure métallique de la grue est conforme à EN 13000 et ASME B 30.5.
2. Une vitesse de vent de 30 ft/s (9 m/s, 20 mph) minimum, une surface de prise au vent de 1 m² par tonne ainsi qu'un coefficient de résistance au vent de la charge 1,2 sont pris en compte pour le calcul des tableaux de charge. Lorsque des charges ayant une surface de prise au vent et/ou un coefficient de résistance au vent plus élevé(e)s sont levées, la vitesse de vent maximale indiquée dans les tableaux de charge doit être réduite.
3. Forces de levage pour application de grue de montage (correspond à la classification de grues selon ISO 4301-1, groupe de grues A1).
4. Les charges sont indiquées en kip.
5. Le poids du crochet de levage resp. de la moufle à crochet est une partie de la charge et doit donc être déduit de la capacité de charge.
6. Les portées sont calculées à partir de l'axe de rotation.
7. Les longueurs indiquées pour la flèche télescopique sont des valeurs maximales et peuvent légèrement varier dans la réalité.
8. Les charges indiquées pour la flèche télescopique sont valables lorsque la fléchette pliante est démontée.
9. Charges données sous réserve de modification.
10. Forces de levage plus de 92,600 lb seulement avec moufle additionnel.
11. Les données de cette brochure sont données à titre informatif. Ces renseignements sont sans garantie. Les consignes relatives à la bonne mise en service de la grue sont disponibles dans le manuel d'utilisation et le manuel de tableaux de charge.
12. Les figures contiennent également des accessoires et des équipements spéciaux non inclus de série dans la livraison.

MyLiebherr

**Our MyLiebherr portal is the easy way for you to access Liebherr's digital service world.
Take advantage of extensive basic and additional services for your mobile and crawler cranes.**

Avec notre portail MyLiebherr, accédez facilement à l'univers numérique du service de Liebherr.
Bénéficiez dès maintenant d'un service global et de prestations complémentaires pour vos grues mobiles et sur chenilles.



One portal, all services
MyLiebherr



Planning

Crane Finder



Planning

Crane Planner 2.0



Operations

Performance



Maintenance

Parts Shop



Planning

LICCON Work Planner



Operations

Documents



Training

Digital Crane Operator

Proposition 65



WARNING: This product can expose you to chemicals, including exhaust emissions, including lead and lead compounds, which are known to the State of California to cause cancer, birth defects or other reproductive harm.
For more information see: www.P65warnings.ca.gov/diesel

Subject to modification · Sous réserve de modifications

Liebherr-Werk Ehingen GmbH · Postfach 1361 · 89582 Ehingen, Germany
Phone +49 73 91 5 02-0 · www.liebherr.com

MyLiebherr



Printed in Germany (2)
lwe-td-186-02-us-02-2023