

Liebherr Customer Service

Upgrade: Litronic Kelly Visualization

Upgrade for:

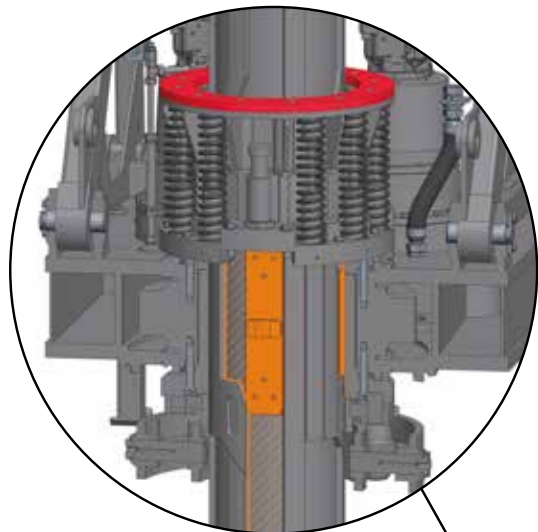
LB 20	2002.05.01
LB 24	2003.05.01
LB 28	2004.05.01
LB 36	2005.05.01
LB 44	2006.05.01
LRB 355	2504.05.01



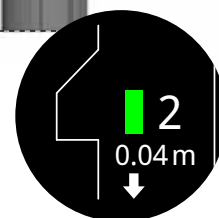
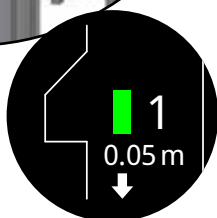
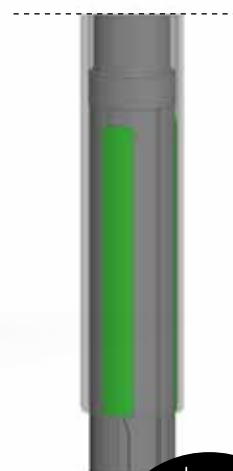
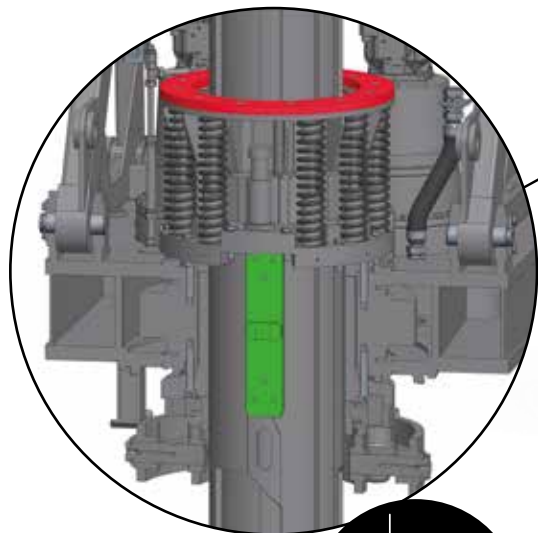
LIEBHERR

Visualization and Display

unlocked



locked



Litronic Kelly Visualization for Improved Operation

One of the challenges faced by the machine operator when using the Kelly drilling method is the precise locking of the telescopic sections of the Kelly bar. Since the operator cannot see the locking profiles, the task is tricky and time-consuming. Should the bars not be precisely locked, performance is affected and, additionally, the wear and tear of the Kelly bar itself is considerably increased.

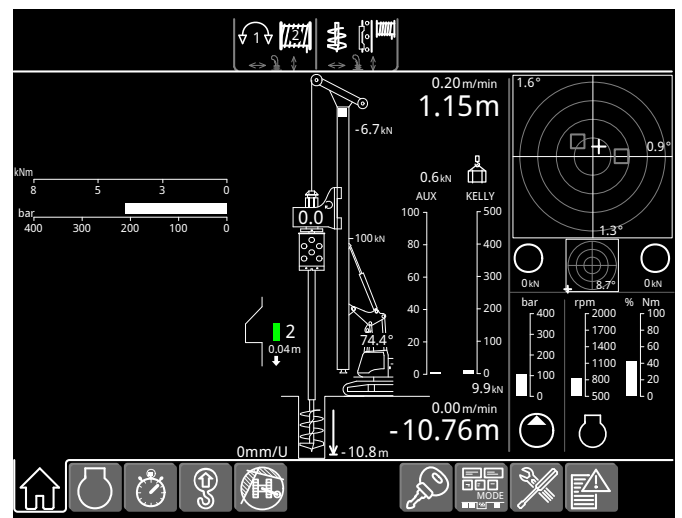
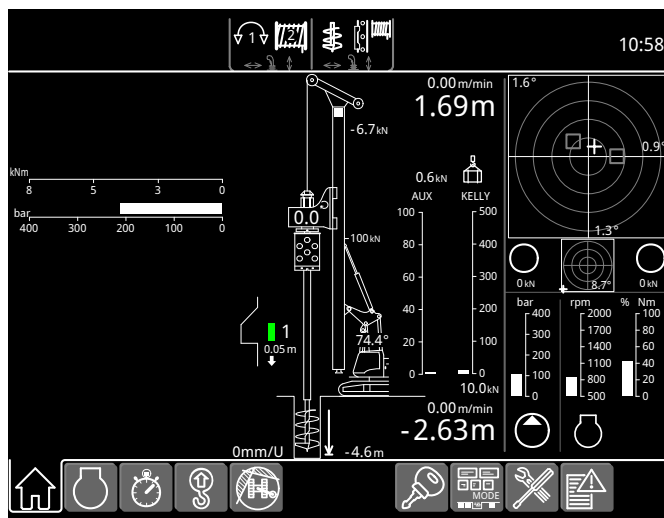
Litronic Kelly Visualization from Liebherr considerably contributes to simplifying the process as well as protecting your machine against wear and tear.

Thanks to the real time display of the locking recesses of the Kelly bar on the cabin monitor, the operator is permanently informed of the actual distance to the next locking recess. Colour indications inform when the bar can be locked. Furthermore, false positioning of the Kelly bar during the shake-off process is indicated through a warning signal upon misapplication.

The package can be easily installed for all standard Liebherr Kelly bars with no requirement for additional hardware. Kelly bars from other suppliers are subject to technical clarification.

Your benefits

- Higher productivity: the operator no longer needs to “look for” the locking recesses
- Increased machine availability: less repair and maintenance of equipment is required
- Improved safety: the correct positioning of locks avoids damage to the Kelly bar
- Lower costs: smooth operation leads to higher productivity and less wear and tear



A colour indication on the screen informs as soon as the Kelly bar can be locked. This applies for all individual sections of the Kelly bars.

The Liebherr Group of Companies



Wide Product Range

The Liebherr Group is one of the largest construction equipment manufacturers in the world. Liebherr's high-value products and services enjoy a high reputation in many other fields. The wide range includes domestic appliances, aerospace and transportation systems, machine tools and maritime cranes.

Exceptional Customer Benefit

Every product line provides a complete range of models in many different versions. With both their technical excellence and acknowledged quality, Liebherr products offer a maximum of customer benefits in practical application.

State-of-the-art Technology

To provide consistent, top quality products, Liebherr attaches great importance to each product area, its components and core technologies. Important modules and components are developed and manufactured in-house, for instance the entire drive and control technology for construction equipment.

Worldwide and Independent

Hans Liebherr founded the Liebherr family company in 1949. Since then, the family business has steadily grown to a group of more than 130 companies with nearly 44,000 employees located on all continents. The corporate headquarters of the Group is Liebherr-International AG in Bulle, Switzerland. The Liebherr family is the sole owner of the company.

www.liebherr.com

For further information:

