

Program

Betomat tower plants

• Bucket elevator or belt conveyor

• Multi compartment aggregate silo

• Batching devices

• Additive weigher

• Aggregate weigher

• Water weigher

• Mixer system as twin shaft or ring pan

• Discharge hopper and truck lane

• Rotary distributor for aggregate storage in silo compartments

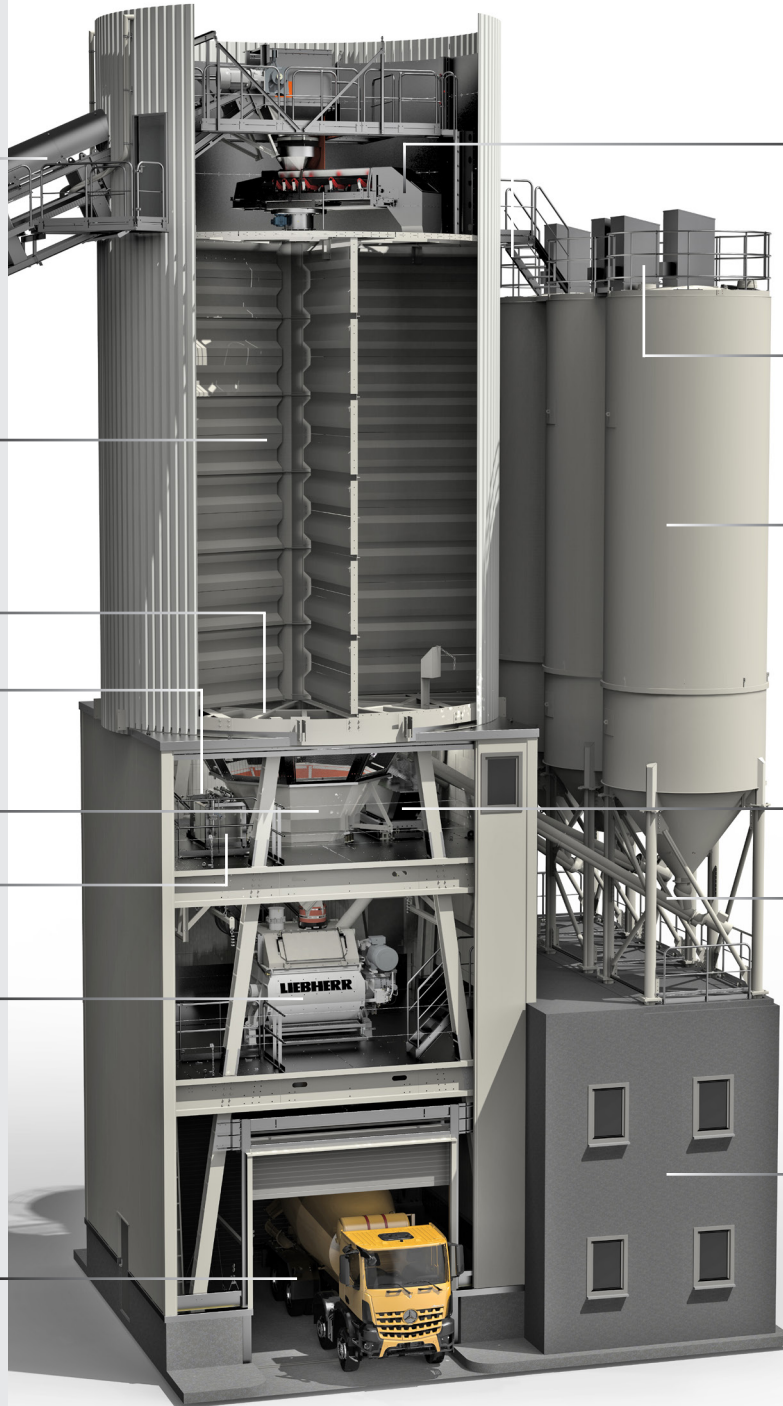
• Exhaust air filters for cement silos

• Cement silos

• Cement weigher

• Cement screw

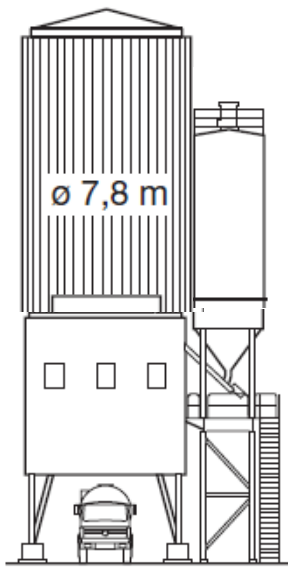
• Control room



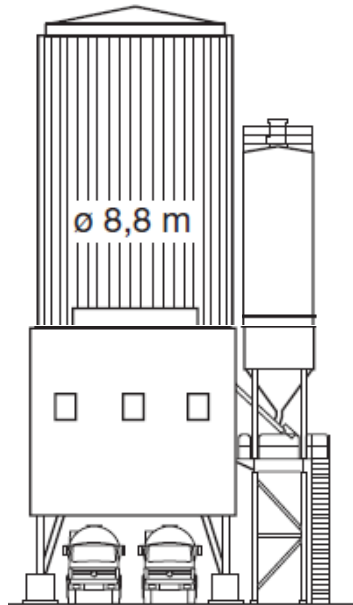
LIEBHERR

Type

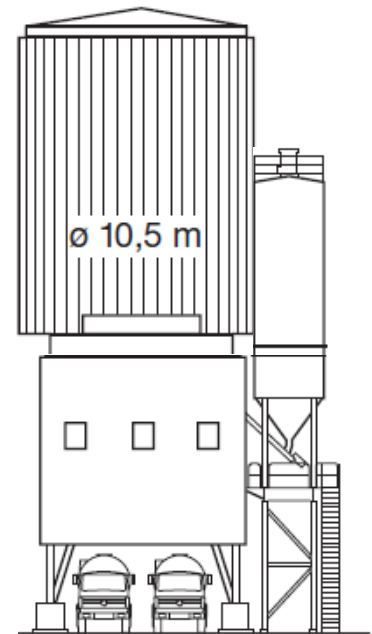
Betomat tower plants



Betomat 3



Betomat 4



Betomat 5

| Type | Height m (appr.) | Aggregate volume m ³ | Compartments max. |
|------------------|------------------|---------------------------------|-------------------|
| Betomat 3 | 21,0 | 220 | 10 |
| | 22,5 | 290 | 10 |
| | 24,0 | 350 | 10 |
| | 25,5 | 420 | 10 |
| | 27,0 | 490 | 10 |
| | 28,5 | 560 | 10 |
| Betomat 4 | 24,5 | 345 | 10 |
| | 26,0 | 430 | 10 |
| | 27,5 | 515 | 10 |
| | 29,0 | 600 | 10 |
| | 30,5 | 685 | 10 |
| Betomat 5 | 24,5 | 470 | 12 |
| | 26,0 | 600 | 12 |
| | 27,5 | 730 | 12 |
| | 29,0 | 860 | 12 |
| | 30,5 | 990 | 12 |