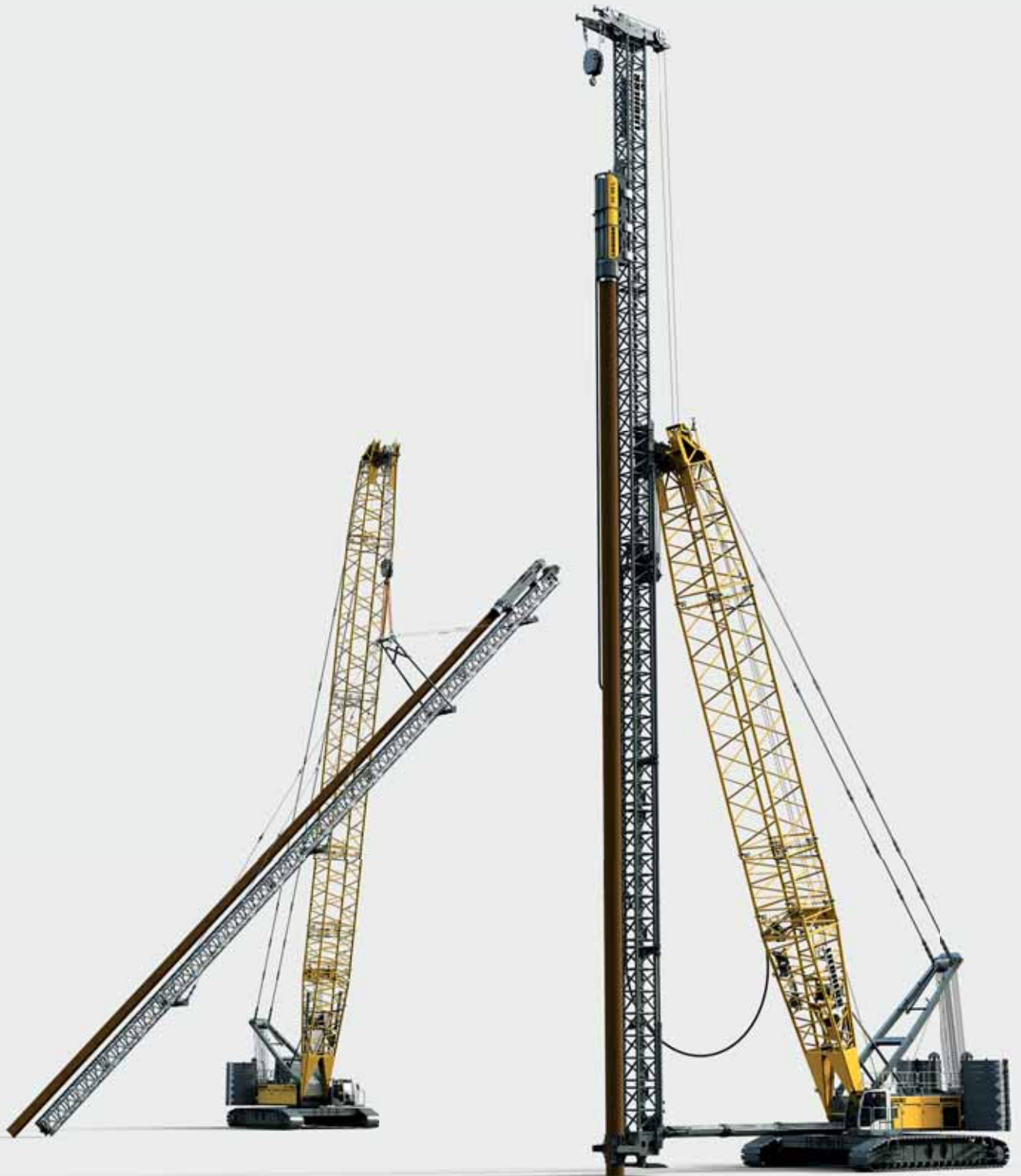


Piling rig with fixed leader system

LRH 600
Litronic®

EN

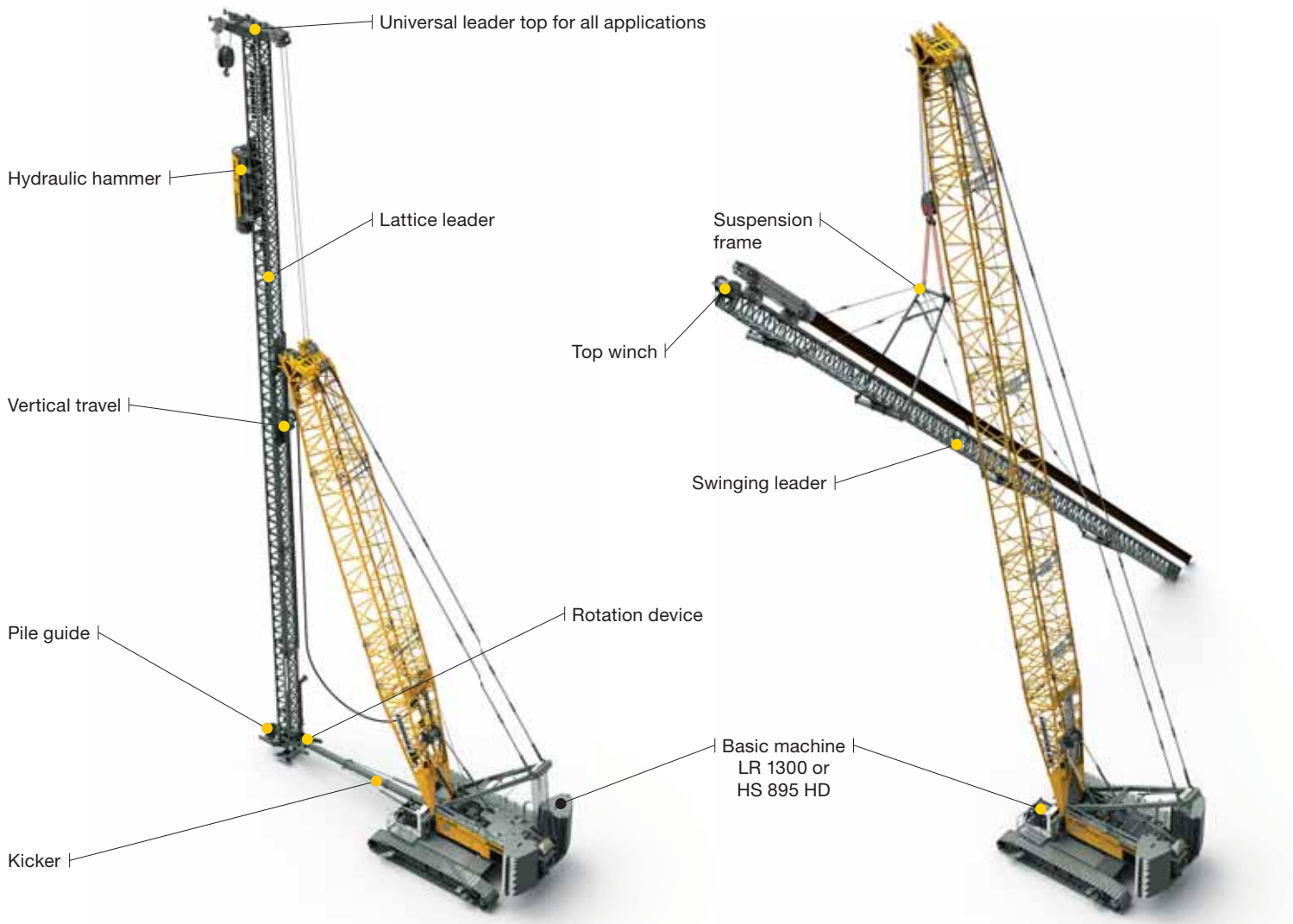
LRH 0108.03



LIEBHERR

Concept and characteristics

LRH 600



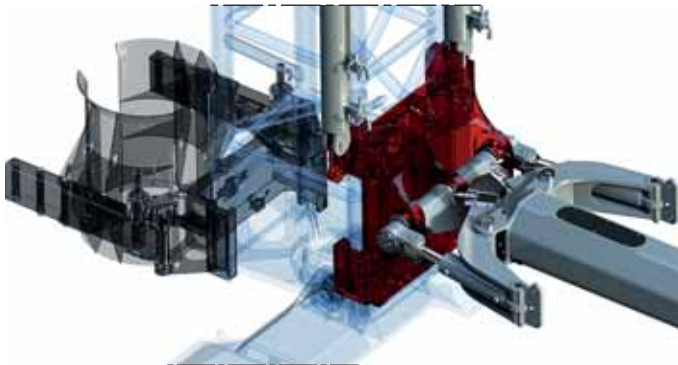
- Depending on the requirements basic machines of the crawler crane series (LR 1300) or duty cycle crawler crane series (HS 895 HD) are used. Combined with solid leaders this high-performance construction machinery convinces with its high level of efficiency and flexibility.
- Thanks to the special leader kinematics a radius of max. 15 m (fixed leader) as well as a continuous inclination adjustment are achieved.
- Hydraulic supply through carrier machine
- All adjustment functions and their control completely integrated in the carrier machine
- Equipment design according to latest European regulations and standards
- High stability through lattice structure

Special features

Connection of leader sections



Automatic rotation device



Leader inclination device



Vertical travel

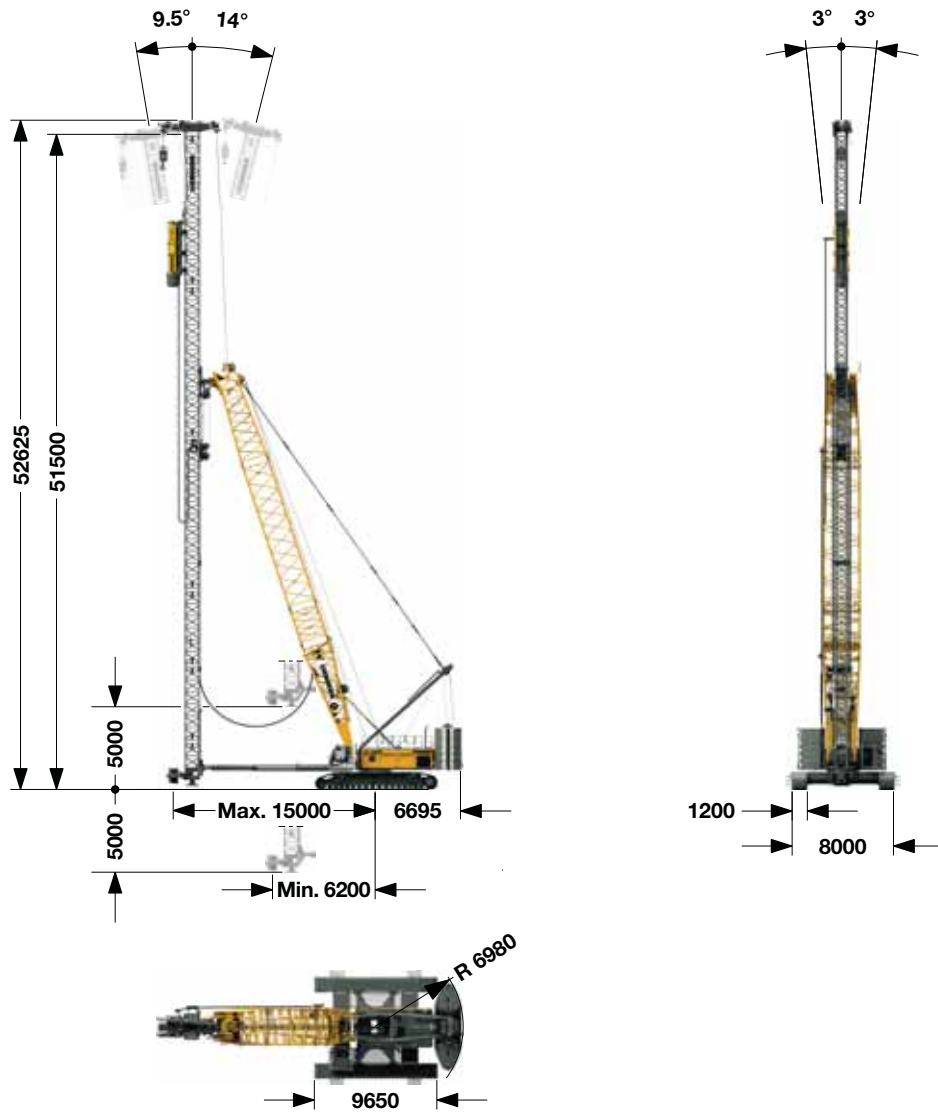


- Structure and connection of leader sections:
Easy and quick assembly thanks to pin connection, high stability through lattice structure.
- Vertical travel:
In order to provide maximum stability, the kicker is connected to the boom head via supporting tubes. This allows to change the leader height without influencing the leader inclination.

- Kicker:
Two compensation cylinders always keep the leader parallel to the uppercarriage. This allows for maximum torque transmission. Radius and inclination are adjusted using only one pair of cylinders.

Dimensions and weights

LRH 600 fixed leader

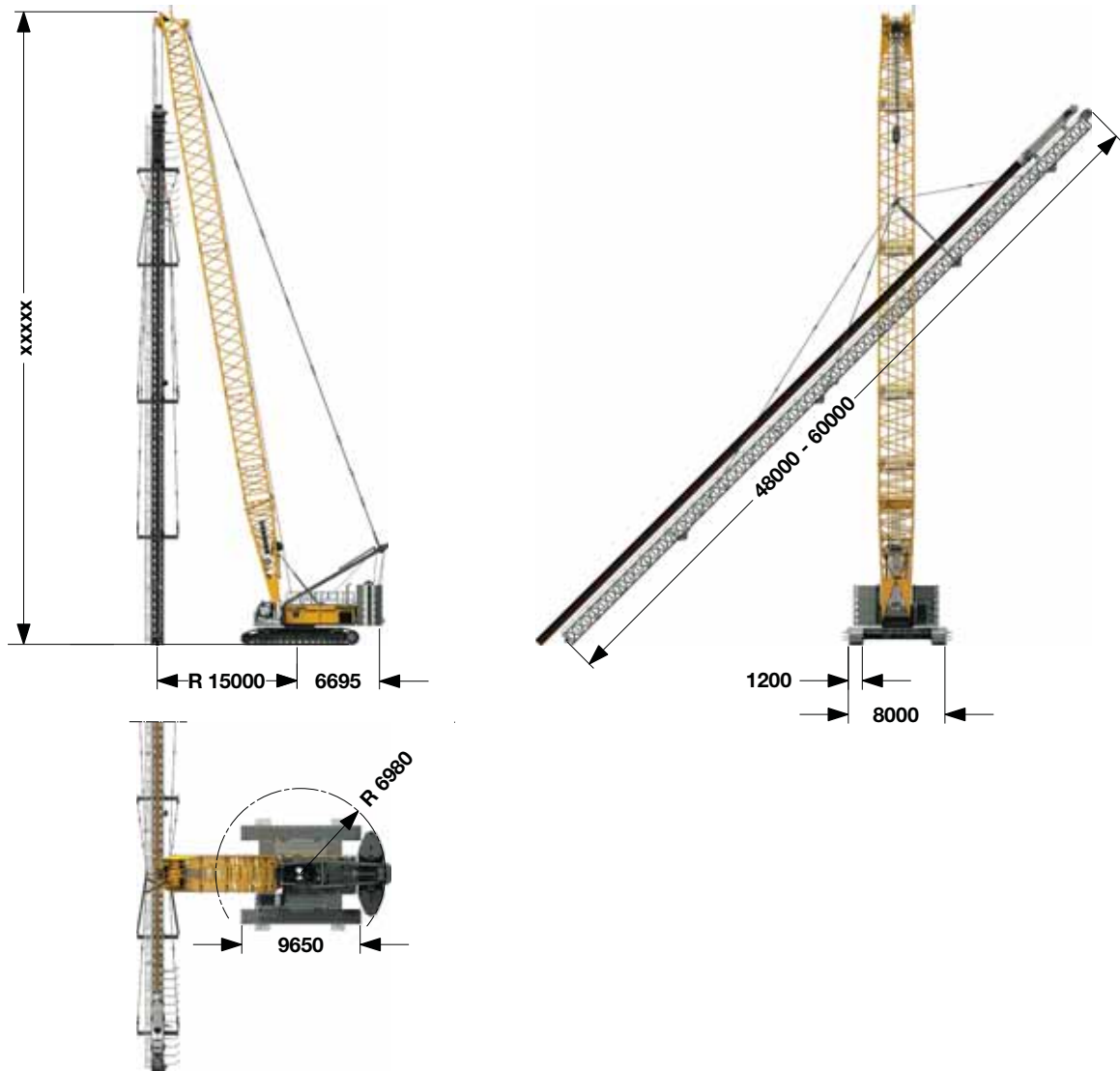


Technical data – fixed leader

Leader length	39/45/51 m
Weight without carrier machine	30/32.5/35 t
Min. radius	6.2 m
Max. radius	15.0 m
Leader inclination continuously variable*	
Lateral inclination	± 3.0°
Forward inclination	1:6 — 9.5°
Backward inclination	1:4 — 14.0°
Max. pile weight	40 t
Max. hammer weight	35 t
Pull force	max. 1200 kN
Max. torque (effective over complete leader length)	320 kNm
Vertical travel	± 5 m

*) Other inclinations on request

LRH 600 swinging leader



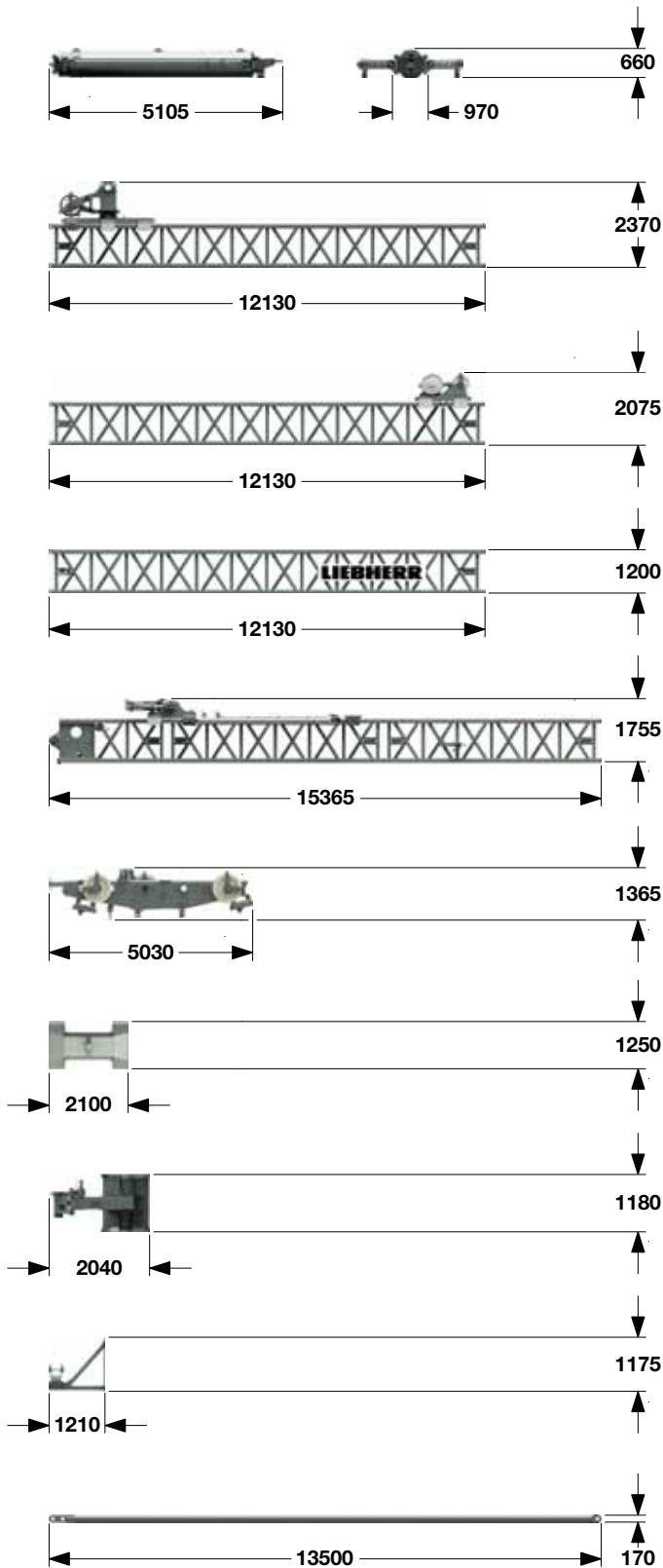
Technical data – swinging leader

Leader length	48/60 m
Weight without carrier machine	25/29 t
Leader inclination*	1:1
Max. pile weight	20 t
Max. hammer weight	20 t

*) Other inclinations on request

Transport dimensions and weights

LRH 600 fixed leader



Kicker

Width	2400 mm
Weight	4580 kg

Leader extension incl. guiding sledge

12 m

Width	1450 mm
Weight	5920 kg

Leader extension incl. vertical travel sledge

12 m

Width	1585 mm
Weight	4975 kg

Leader extension

12 m

Width	1000 mm
Weight	3530 kg

Leader extension incl. sledge

3 m + 6 m + 6 m

Width	2185 mm
Weight	6890 kg

Leader top with pulley kit hammer

Width	1480 mm
Weight	3185 kg

Support plate

Width	485 mm
Weight	620 kg

Pile guide

Width	1680 mm
Weight	720 kg

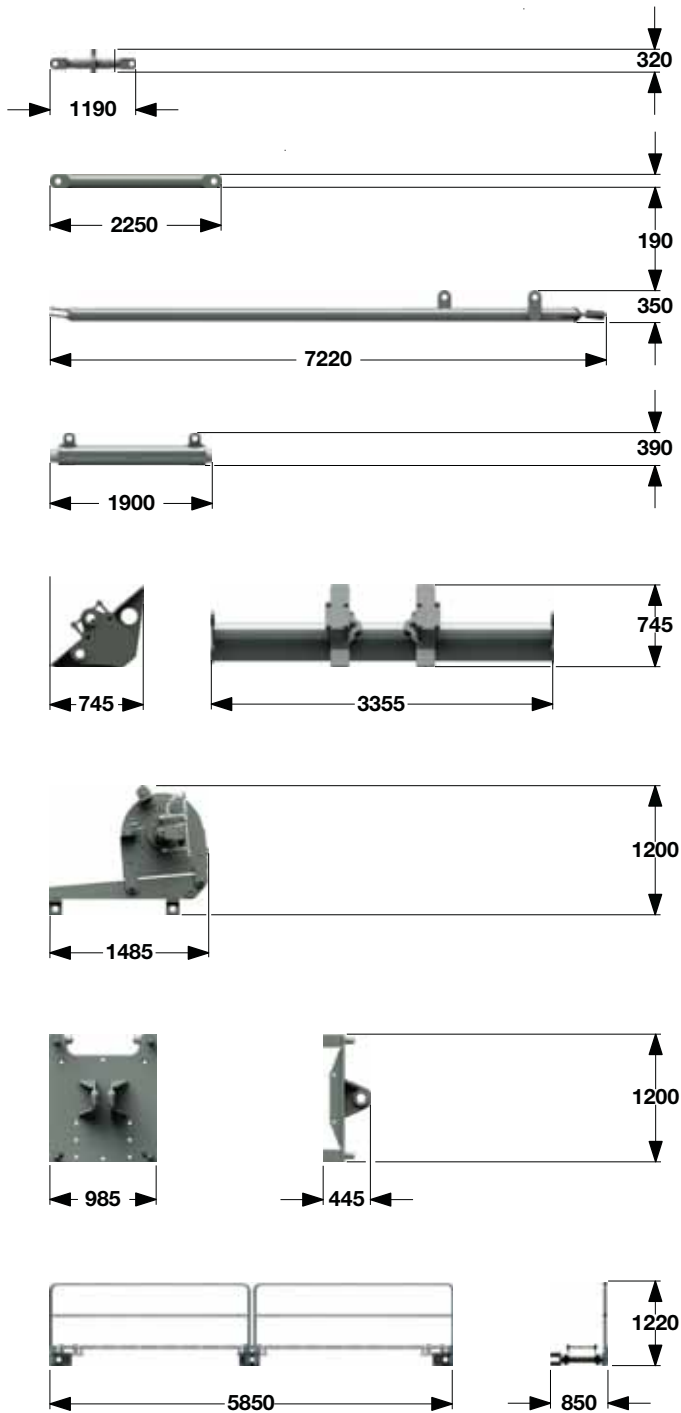
Hose guide

Width	1070 mm
Weight	170 kg

Supporting tubes

Supporting tubes 51 m	2 x 340 kg
Supporting tubes 45 m	2 x 160 kg
Supporting tubes 39 m	2 x 85 kg

Additional equipment for swinging leader



Turnbuckle 8x

Width	230 mm
Weight	130 kg

Brace 2x

Width	190 mm
Weight	95 kg

A-frame bar 2x

Width	590 mm
Weight	400 kg

A-frame spacer

Width	240 mm
Weight	300 kg

Traverse 4x

Width	745 mm
Weight	620 kg

Top winch

Width	1340 mm
Weight	1140 kg

Leader foot

Width	445 mm
Weight	400 kg

Walkway 10x

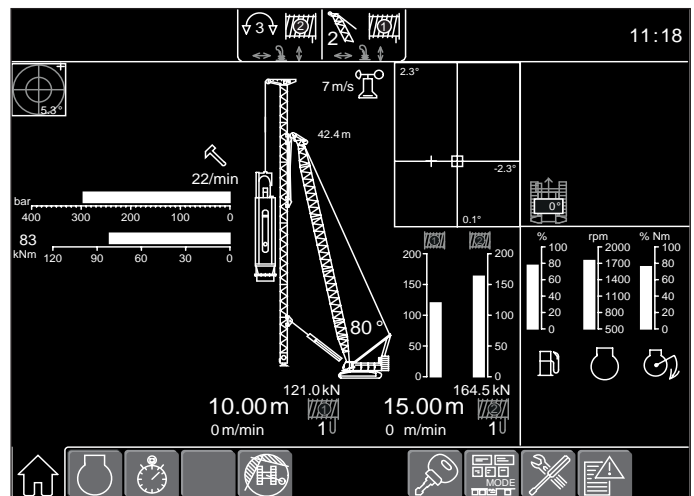
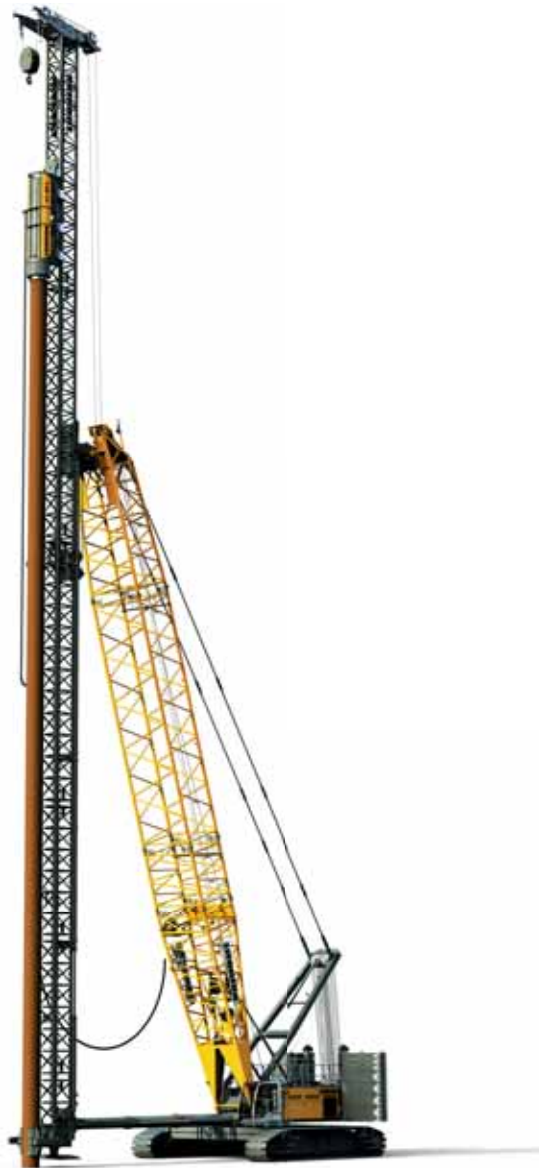
Width	1680 mm
Weight	330 kg

Suspension rope 14x

Weight	1700 kg
--------	---------

Hydraulic hammer

H 15 L



Display for impact driving

Technical data

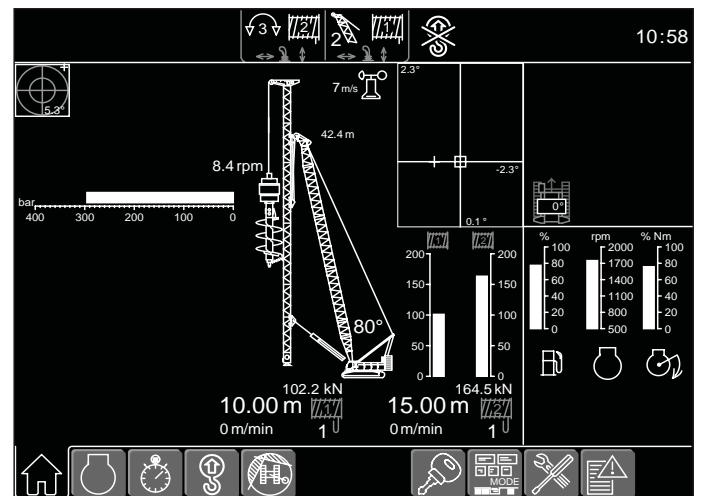
Drop weight	10000 + 2500 + 2500 kg
Max. rated energy	225 kNm
Blow rate max. energy	30 blows/min
Max. blow rate	80 blows/min
Total weight	23000 kg

Performance data for 51 m leader

Max. pile length	50 m
------------------	------

Continuous flight auger drilling

BAT 320



Display for continuous flight auger drilling

Technical data

Rotary drive - torque	0 – 320 kNm
Rotary drive - speed	0 – 47 rpm

*) Other drilling diameters available on request

Performance data for 51 m leader and auger cleaner

Drilling depth	51 m
Max. drilling diameter*	1200 mm

Hydraulic hammer

Swinging leader



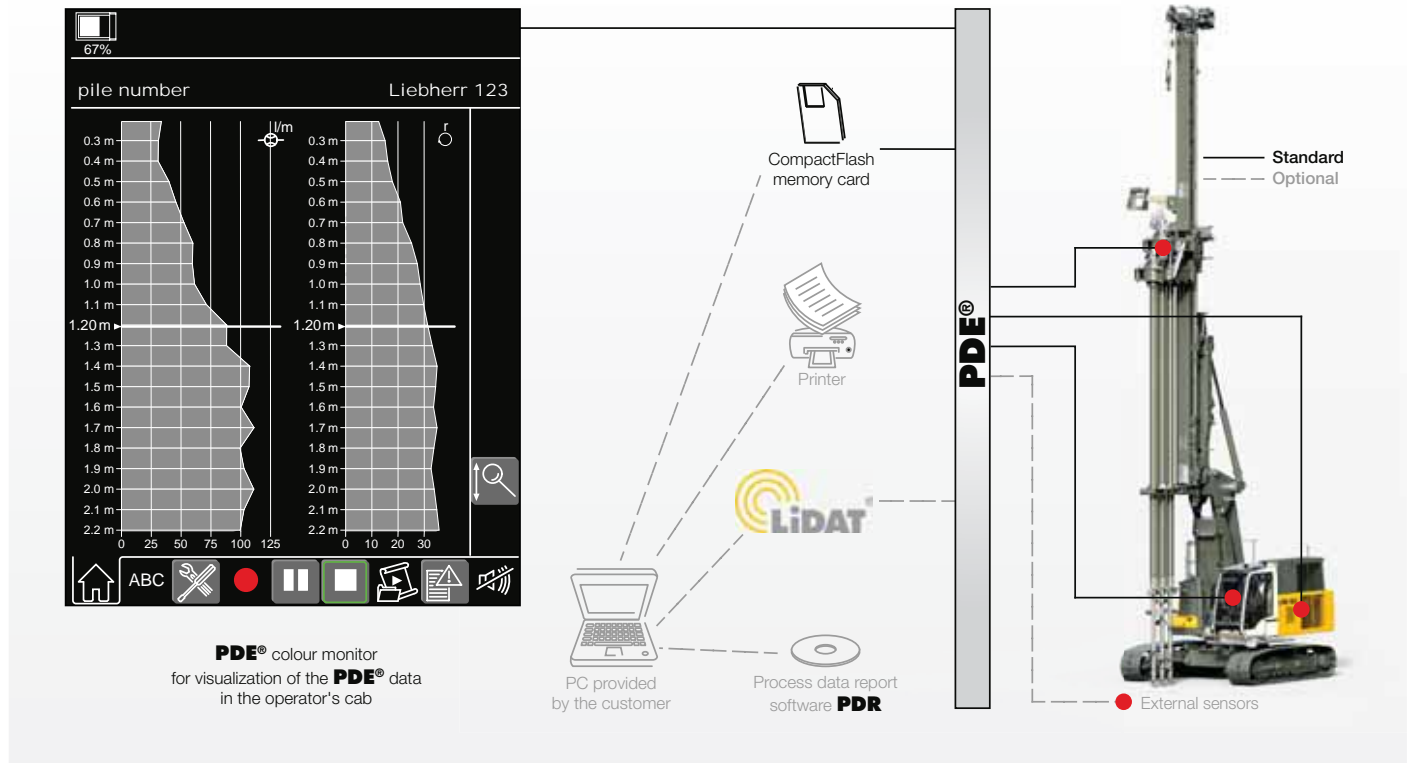
Technical data – swinging leader

Leader length	48/60 m
Weight without carrier machine	25/29 t
Leader inclination*	1:1
Max. pile weight	20 t
Max. hammer weight	20 t

*) Other inclinations on request

Process data recording system - PDE® (additional equipment)

The Liebherr process data recording system PDE® constantly records the relevant process data during the working process.



Depending on the application the recorded and processed data are displayed on the PDE® touchscreen in the operator's cab, e.g. in the form of an online cast-in-place pile.

At the same time the PDE® is operated using this touchscreen. The operator can enter various details (e.g. jobsite name, pile number, etc.) and start and stop recordings. A recording of every start-stop cycle carried out in the PDE® is established on a CompactFlash memory card.

The PDE® can be configured in a number of ways, e.g. for the connection of external sensors, for the generation of a simple protocol as graphic file and/or for a printout directly in the operator's cab.

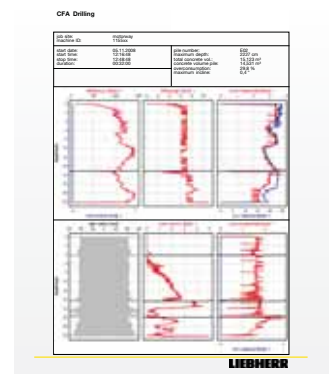
Process data reporting - PDR (additional equipment)

Comprehensive data evaluation and generation of reports on a PC is possible using the software PDR.

Recordings management - The recordings generated by the PDE® system can be imported and managed in PDR. The data can be imported directly from the CompactFlash card or via the Liebherr telematics system LiDAT. Certain recordings, e.g. for a particular day or jobsite, can be found using filter functions.

Viewing data - The data in each record is displayed tabularly. Combining several recordings provides results, for example, regarding the total concrete consumption or the average depth. Furthermore, a diagram editor is available for quick analysis.

Generating reports - A vital element of PDR is the report generator, which allows for the generation of individual reports. These can be printed out directly or stored as pdf files. In the process the size, colour, line thickness or even the desired logo can be configured. Moreover, the reports can be displayed in different languages, e.g. in English and in the national language.



Liebherr-Werk Nenzing GmbH

Dr. Hans Liebherr Str. 1, 6710 Nenzing/Austria
Tel.: +43 50809 41-473, Fax: +43 50809 41-499
crawler.crane@liebherr.com, www.liebherr.com
facebook.com/LiebherrConstruction