

Reachstacker

# LRS 545-31 Intermodal

**Maximum lifting capacity**

Row: 1 / 2 / 3  
40.5t / 29.5t / 16.5t

**Maximum stacking height**

8'6" Container: 5 / 4 / 3  
9'6" Container: 4 / 4 / 3

**Average fuel consumption\***

12-14l

\* depending on operation conditions

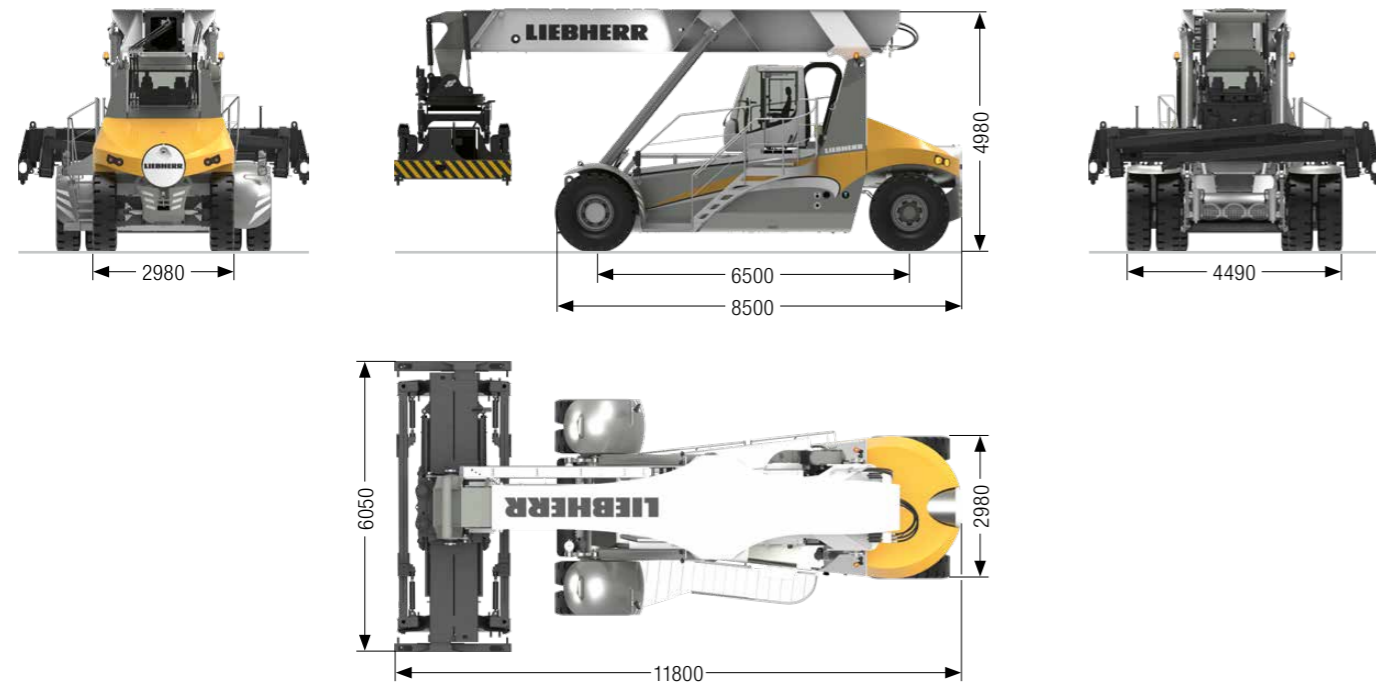


Similar to illustration, may contain special equipment

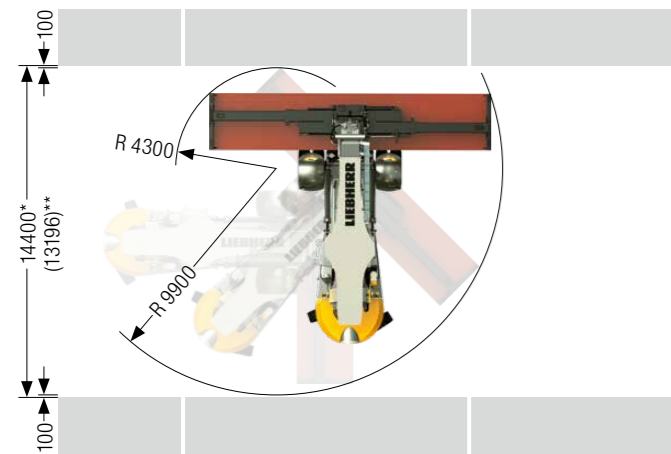
# LIEBHERR

# Dimensions

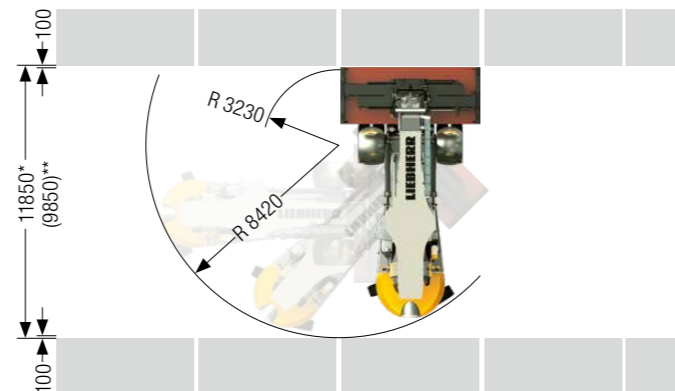
## LRS 545-31 Intermodal



### 40' Container



### 20' Container



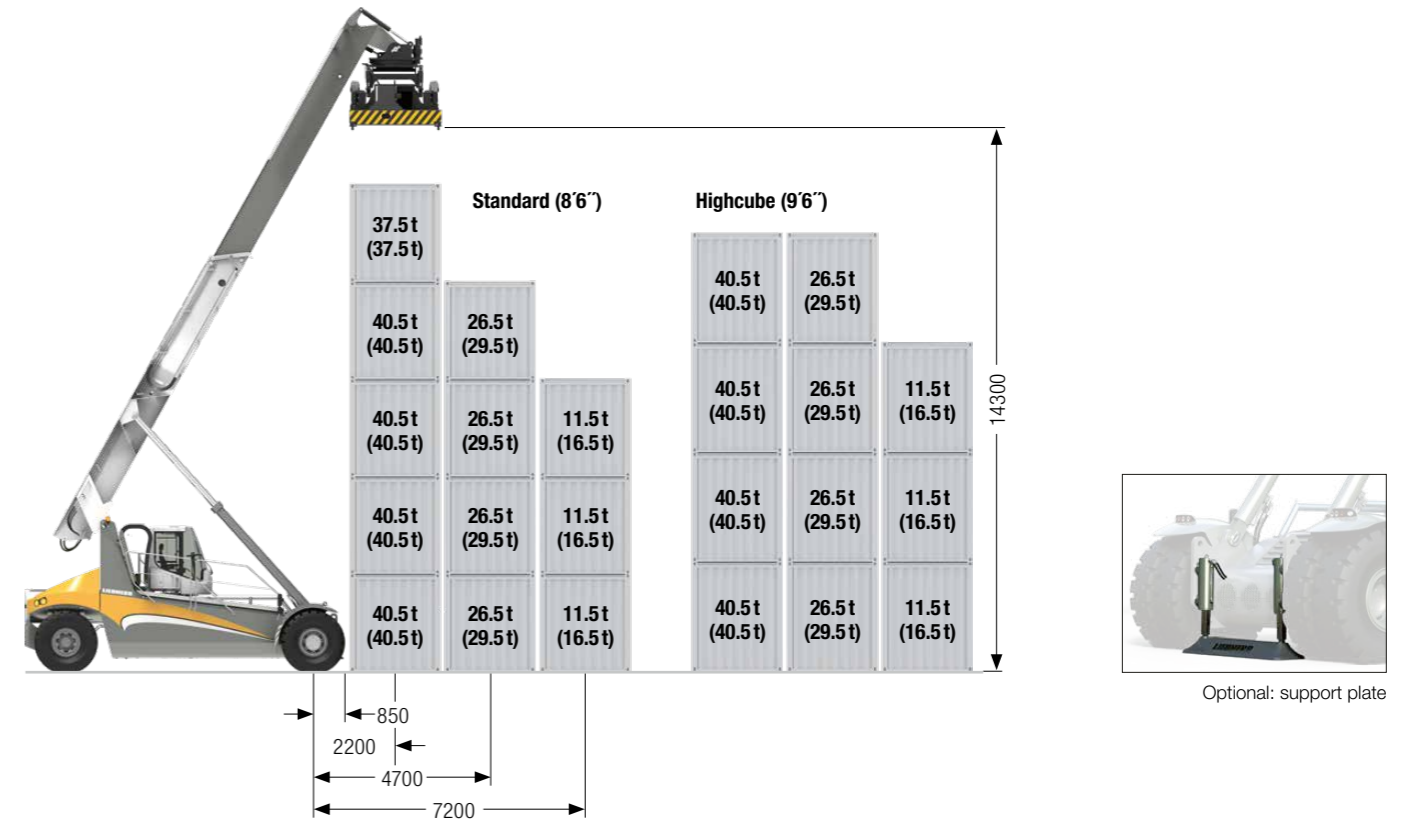
\* Distance center of front axle to center of spreader = 2000 mm  
 \*\* Distance center of front axle to center of spreader = 0 mm

### Dimensions

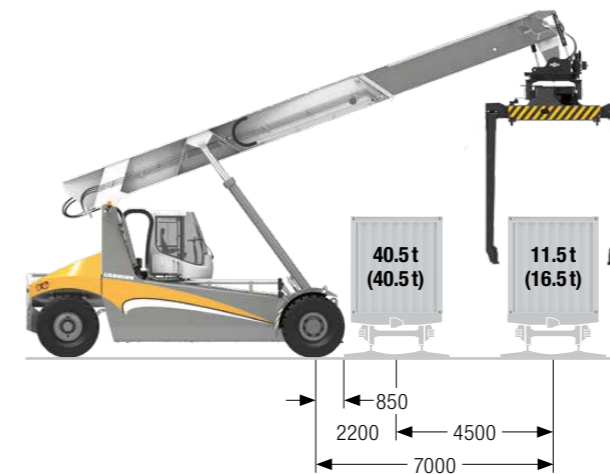
	Unit	LRS 545-31 Intermodal
Overall length of machine	mm	8500
Overall length incl. spreader	mm	11800
Width incl. front wheels	mm	4490
Min. ground clearance	mm	300
Wheelbase	mm	6500
Boom angle (min./max.)	°	0/60.3
Max. lifting height under twistlock (row 1 / 2)	mm	14570 (14300 / 12820)
Min. distance ground to spreader	mm	1385
Seat height	mm	2600
Boom height (min./max.)	mm	4980 / 17860
Total weight (unladen / laden)	t	72.5 / 114

# Load Chart

## LRS 545-31 Intermodal



Optional: support plate



Values in brackets only with support plate

### Load Data

	Unit	LRS 545-31 Intermodal (row 1 / 2 / 3)
Capacity	t	40.5 / 26.5 / 11.5
Capacity with supporting plate	t	40.5 / 29.5 / 16.5
Distance from centre of tyres to centre of container	mm	2200 / 4700 / 7200
Face of tyres to centre of container	mm	1350 / 3850 / 6350
Stacking height – 8'6" container		5 / 4 / 3
Stacking height – 9'6" container		4 / 4 / 3

# Technical Data

## LRS 545-31 Intermodal

### Driveline

	Unit	LRS 545-31 Intermodal
Engine manufacturer/type		Liebherr D944
Emission standard		Stage IV/Tier 4 final
Power		230 kW at 1700 rpm
Torque		1440 Nm at 1350 rpm
Displacement/number of cylinder	cm <sup>3</sup>	7964/4
Average fuel consumption*	l/h	12 - 14
Tank volume (hydraulic/diesel/AdBlue)	l	1100/500/46
Noise level (inside)	dBa	71
Transmission		stepless/hydrostatic
Operation brake		hydrostatic/wet disc brake
Parking brake		wet disc brake

\*depending on operation conditions

### Performance

	Unit	LRS 545-31 Intermodal
Drive speed* (unladen / laden)	km/h	25 / 20
Lifting speed (unladen / laden)	m/s	0.40 / 0.25
Lowering speed (unladen / laden)	m/s	0.40 / 0.40
Gradeability (unladen / laden)	%	18 / 10

\*forward and backward

### Wheels

	Unit	LRS 545-31 Intermodal
Tyre type		pneumatic
Tyre dimension		18.00x25/40PR
Rim dimension		13.00x25
Tyre pressure	bar	10
Number of wheels (front/rear)		4/2
Track width (front/rear)	mm	3345/2437

### Lifting Attachments

	Unit	LRS 545-31 Intermodal
Spreader type		Intermodal
Spreader width (min./max.)	mm	6050/12175
Spreader side shift	mm	+/- 800
Spreader rotation	°	-105/+195
Mechanical pile slope (mechanical levelling)	°	+/- 3
Power pile slope	°	+/- 6
Power damping (forward/backward)		standard