



710 HC-L

Sets new marks in lifting weights

LIEBHERR

There's power in it

In order to reach fast hoist speeds, the 710 HC-L uses two hoist drives simultaneously. Luffing speeds are increased by using powerful drives in combination with a new software logic. This crane is available in four versions.

	710 HC-L 25/50	710 HC-L 32/64	Luffing drive (kW)
Hoist gears (kW)	2 x 65	2 x 65	110
	2 x 110	2 x 110	160

Easy handling

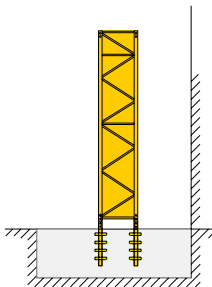
Operate with ease using a powerful PLC combining features like horizontal load movement and the fine positioning mode MICROMOVE. All electronic components have been incorporated into one switch cabinet making inspection and maintenance easier than ever.

Easy going – from place to place

Despite its great performance the 710 HC-L can be transported in containers and disassembled by a Liebherr Derrick crane. Each crane part has been minimized to 10 t maximum.

High tower

The 24 HC tower system impresses in this size class with its extremely slim dimensions. With this system the 710 HC-L climbs easy inside the building.

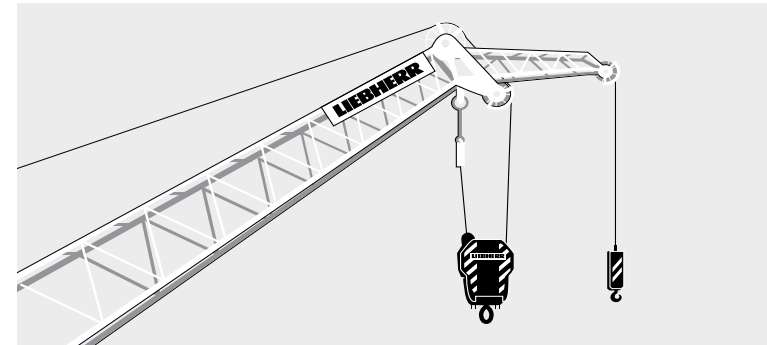


Free standing tower heights				
External climbing; C25				
jib length (m)	30.0	40.0	50.0	65.0
tower height (m)	74.8	71.9	69.1	60.5

New tower: 2.43 m external dimension; internal or external climbing

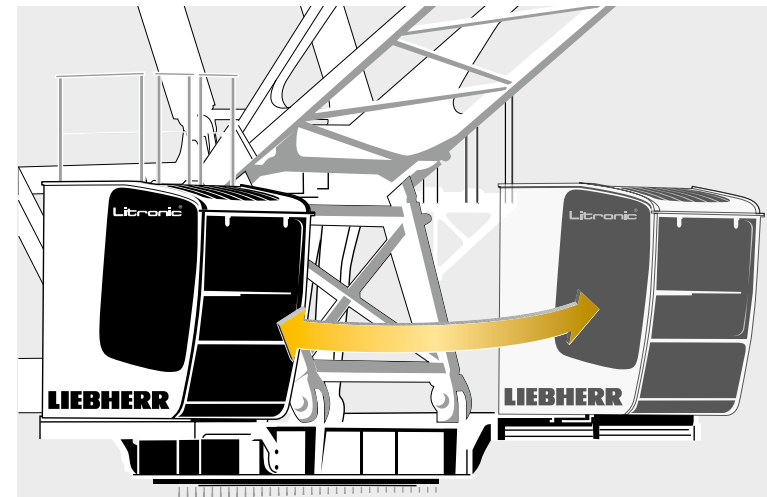
Turn and lift

The 710 HC-L can be optionally equipped with an additional hook, the „Fly-Jib“, for lifting loads of up to 13.1 t and turning large components with a weight of up to 19.7 t.



Modular concept

With the new platform design the decision on which side you want the cabin is up to you. According to the requirements of your construction site you place it either left or right.



Which side are you on? With the 710 HC-L: on both.

The 710 HC-L

Sets new marks in lifting weights

- Up to 64.0 t maximum load
- Maximum 65.0 m jib length
- Single parts minimized to 10.0 t for easy Derrick disassembly
- Up to 1,060 m hook height
- Optional Fly-Jib

Developing the 710 HC-L luffing jib crane, we did not simply want to increase our smaller luffing jib cranes but to fulfill our customers' special requirements. The result is a completely redesigned crane which sets new marks in performance, efficiency and flexibility.



Intelligent assistance while operating the crane?

The standard Tower Crane Litronic offers multiple intelligent assistance systems for that purpose.

More information at:
www.liebherr.com/tc/Litronic
