
Tree care and the wood industry

LH 22 Litronic
LH 26 Litronic
LH 30 Litronic

LIEBHERR

Material handling machines



Generation
6

Operating weight
19,200 – 30,200 kg *

* Without attachment

Performance

Power plus speed –
Redefined performance

Economy

Good investment –
Savings for long-term

Reliability

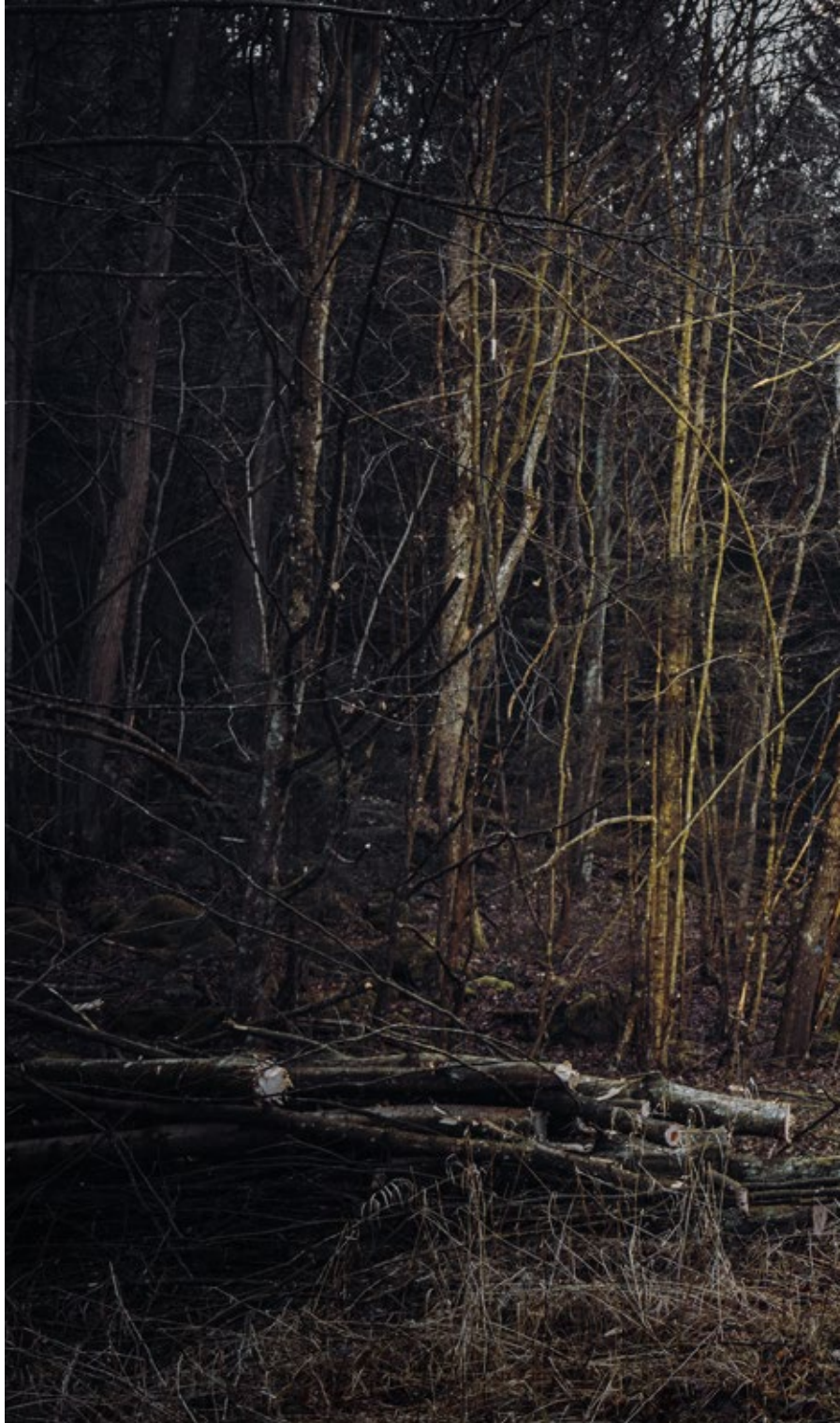
Durability and sustainability –
Quality down to the last detail

Comfort

Perfection at a glance –
When technology is comfortable

Maintainability

Efficiency bonus –
Even with maintenance and service



LH 22 M Industry

Operating weight
19,200 – 21,900 kg*



LH 26 M Industry

Operating weight
24,200 – 24,500 kg*

LH 30 M Industry

Operating weight
26,500 – 29,100 kg*

LH 30 C Industry

Operating weight
27,100 – 30,200 kg*

* Without attachment

Well thought out to the last detail





Suitable for multi-functional use with fully hydraulic LIKUFIX quick coupling system

- Change attachments from the cab safely, conveniently and quickly
- Massive increase in machine capacity by extending possible uses throughout the year



30° tilt function cab and protective devices

- The tilt function cab delivers a perfect view of the working area and excellent conditions for healthy, focused and productive working
- Optional safety grille on the cab roof and the front safety grille provide the operator with maximum safety



Range of undercarriage versions

- 4 point outriggers
- 4 point outriggers + dozer blade
- 2 point outriggers + stabilizer and dozer blade
- Crawler

Convincing in operation



Performance

Productive and versatile

From embankment care, road clearing, problem tree felling to classic recycling use, the selected handling machine is enormously flexible.

The extensive range of equipment combinations, such as the Liebherr stick extension, the Westtech telescopic stage or the direct attachment of a cutting tool allow even difficult to reach areas to be accessed with ease. The result is a significant increase in productivity.

Sensitive hydraulics

The optimal harmonisation between the engine and the control valve allows a fast and direct response from the input command to the hydraulics. This is controlled proportionally to enable smooth and gentle movements to be executed when the joystick is moved.

Economy

Attachments and quick coupling systems

Liebherr offers a wide selection of attachments for every application to increase the versatility of its material handling machines. Furthermore, the machines can be fitted with a Liebherr LIKUFIX Quick Coupling System which increases their capacity by up to 30% and ensures that they are flexible to use throughout the year. The right attachment and quick coupling system combined with the outstanding dynamics of a Liebherr handler ensures highest handling capacity and maximum productivity.

Engine idling and engine shut-down

The standard automatic idling function reduces the engine speed to idle as soon as the operator takes their hand from the joystick so that no hydraulic function is activated. Proximity sensors in the joystick levers restore the original engine speed as soon as the operator's hand is moved towards the lever again. This ensures that the set engine speed is available immediately. The result is a combination of fuel savings and reduced noise levels. Operating costs can be reduced even further with the optional automatic engine shut-down function.

Reliability

Quality and competence

Our experience, understanding of customer needs and the technical implementation of these findings guarantee the success of our products. For decades, Liebherr has been inspirational with its extent of production, system solutions and highest quality.

High safety level

The pipe fracture safety devices on the hoist and stick cylinders, together with the load holding valve on the bucket cylinder, prevent the equipment lowering out of control to guarantee maximum safety.

Durability

All steel components are designed and manufactured by Liebherr. High-strength steel plates configured for the toughest of requirements result in high torsional stiffness and optimum absorption of forces induced for a longer service life. The optional guard for the piston rods on the bucket, hoist and stick cylinders ensures that the components deliver a long service life even in extremely adverse conditions.

Overload warning device and load torque limitation

The audible and visual overload warning system continuously tells the operator about the current load situation of the machine. Furthermore, load torque limitation automatically regulates the speed of the working hydraulics to allow the maximum load bearing capacity to be approached safely. In the event of an overload, the functions which could cause the machine to topple are disabled. Only movements back to the safe working range are then possible.

Comfort

Excellent all-round vision

The large windows and range of cab elevation versions, particularly the optional 30° tilt function cab, provide the operator with excellent visibility together with a low fatigue seat position which prevents neck pain. The rear and side area monitoring systems provide the operator with an excellent view of their working area and the zone around the machine.

Proportional control system

Precise and accurate machine control is particularly important in applications such as tree care and the wood industry. The material handler's standard proportional control system combined with the appropriate attachments enable even this demanding work to be completed with ease.

Slewing gear brake comfort

The standard slewing gear brake comfort control allows the selection between the modes manual, semi-automatic and automatic. The standard slewing gear brake in the manual mode can be opened and closed with the button on the joystick. In the semi-automatic mode the slewing gear brake can also be closed manually but automatically opened again when the uppercarriage is moved via the joystick control. The automatic mode allows the slewing gear brake to be closed automatically when the predefined time, set by the operator, has passed and the uppercarriage has stopped moving. It will open automatically as soon as the uppercarriage is moved via the joystick control. By opening and closing the slewing gear brake automatically the operator can work faster and more safely with less effort.

Maintainability

Service-based machine design

The service-based machine design guarantees short servicing times, thus minimising maintenance costs. All the service points are positioned in close proximity to one another, are easily accessible from the ground or on catwalks and platforms, and easy to reach thanks to the large, wide-opening service doors. The enhanced service concept places the maintenance points close to each other and reduces their number to a minimum. This means that service work can be completed even more quickly and efficiently.

Integral maintenance benefits

Maintenance work helps to keep the machine fully functional. The resultant downtime should ideally be kept to a minimum. With change intervals of up to 2,000 hours for engine oil and up to 8,000 hours for hydraulic oil, Liebherr has significantly reduced the amount of maintenance and increased the productivity of the material handlers. In addition, central lubrication systems minimise daily maintenance.

Find your contact person:



The perfect solution for every application



Flexible, fast attachment changes

The fully hydraulic LIKUFIX quick coupling system from Liebherr enables the operator to change attachments quickly, conveniently and safely from the cab. Machines operating in the tree care and wood industry can quickly and efficiently switch between the required attachments. This means after cutting back the operator can switch directly to a mill, a mulcher or a ditch cleaning bucket.



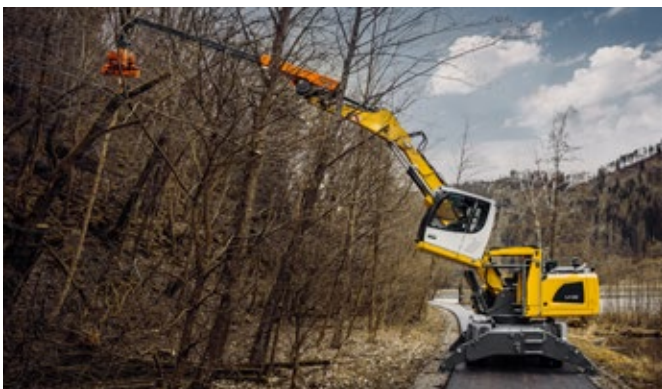
Material handling machine with Westtech-Woodcracker® C350

Larger and heavier cutting tools can be attached directly to the Liebherr stick with tipping kinematics for working close to the machine. This means that a reach of 11 – 14.5 m is possible, depending on the machine size. The maximum stability required for this is achieved by the machine's well designed support geometry. This ensures that solid tree trunks can be handled with ease.



Material handling machine with Liebherr stick extension and Westtech-Woodcracker® C250

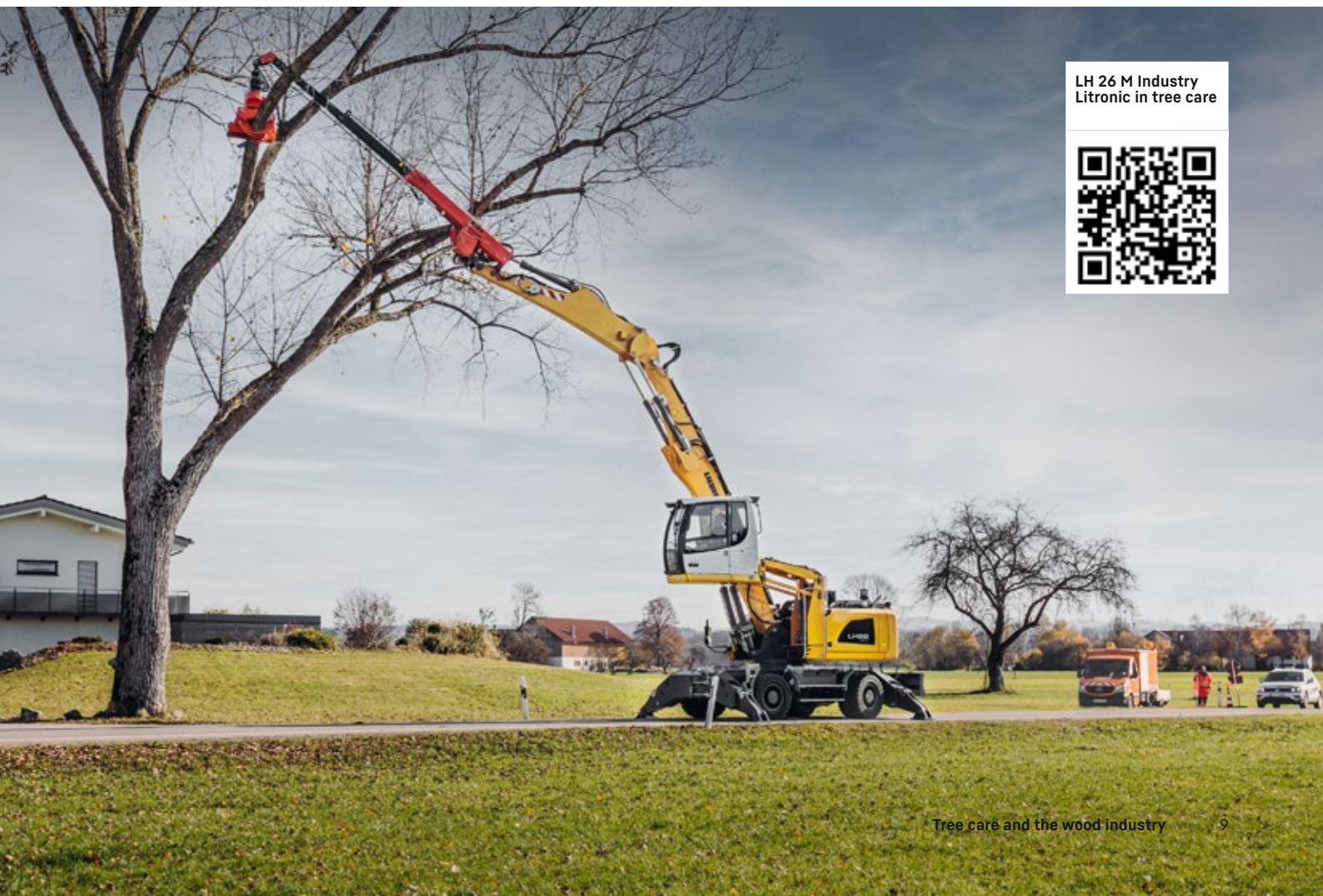
The combination of the Liebherr stick extension and a lightweight cutting tool is the perfect solution for reaching distant trees and shrubs. This equipment combination gives a reach of 13 – 16.5 m, depending on machine size. The Liebherr stick extension provides the reach required for carrying out trimming jobs smoothly and accurately.



Material handling machine with Westtech-telescope Stage T 4000 and Woodcracker® CS510 crane

Trimming high trees and thick branches is a particular challenge. Depending on their weight class the material handling machines have a reach of 16 – 19 m when fitted with LIKUFIX and 4 m telescopic arm. In this configuration, the machine can reach extremely high up into the trees so that it can cut back whatever is necessary. The hydraulically height-adjustable cab with 30° tilt function provides the operator with perfect visibility of the working area.

Examples of use

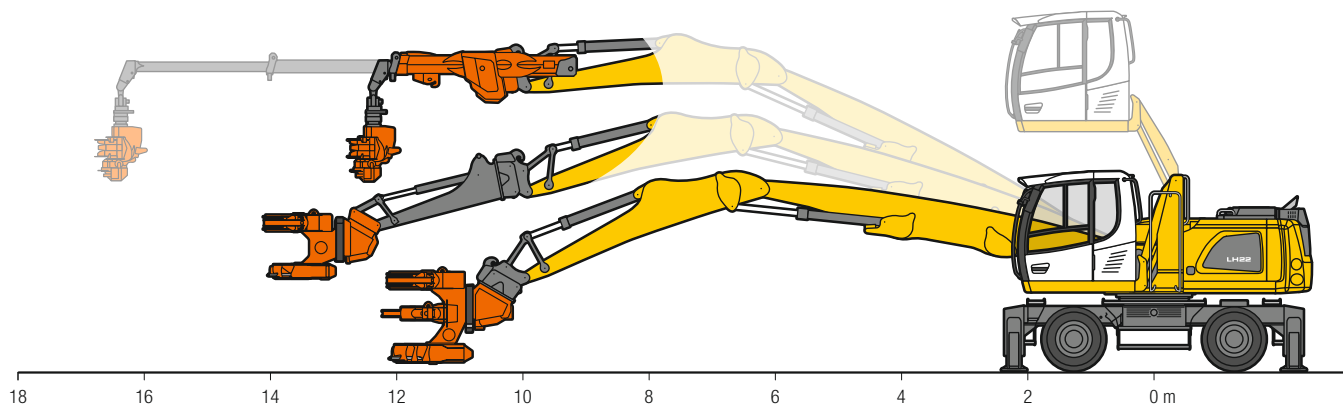


LH 26 M Industry
Litronic in tree care



Technical data

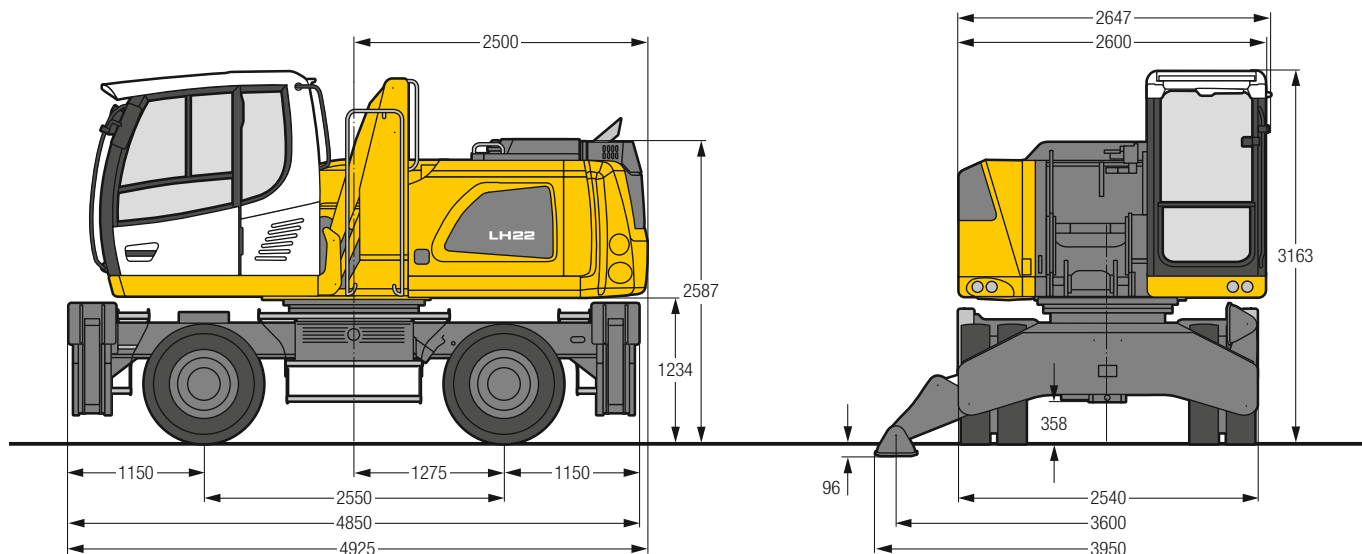
LH 22 M Industry – Range overview



Operating weight*	kg	approx. 19,200 – 21,900		
Engine output	kW / HP	105 / 143		
Emission stage	Stage	V	IIIA (compliant)	Tier 4 Final
Reach with direct mounting Woodcracker®	m	up to 11.5		
Reach with stick extension and Woodcracker®	m	up to 13.5		
Reach with telescope stage and Woodcracker®	m	up to 16.5		

* without attachment

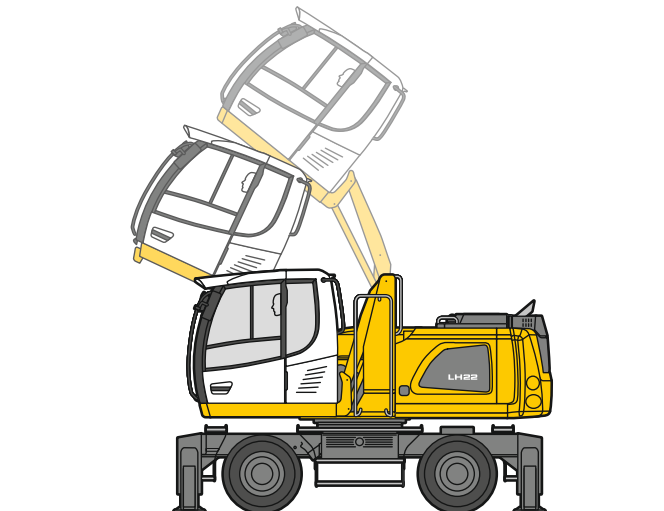
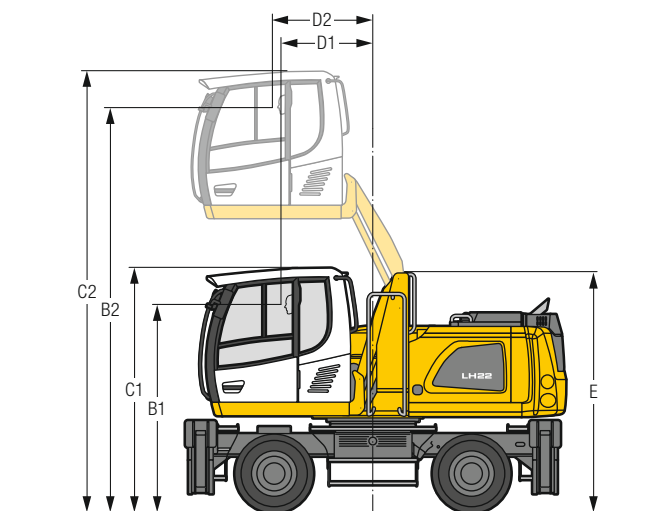
LH 22 M – Dimensions



LH 22 M – Choice of cab elevation

Cab elevation LHC (hydraulic elevation)

Cab elevation LHC (30° tilt function as an option)

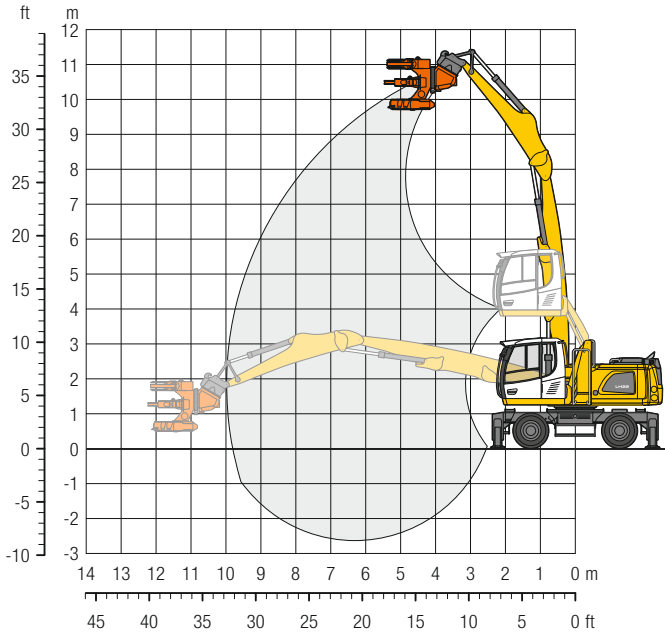


Increase type	LHC 255
B1	2,696 mm
B2	5,236 mm
C1	3,163 mm
C2	5,704 mm
D1	1,190 mm
D2	1,299 mm
E	3,104 mm

The hydraulically adjustable cab allows the driver, that he can choose his field of view freely and at any time within the stroke.

Tyres 10.00-20

LH 22 M – Equipment GK10



Operating weight

The operating weight includes the basic machine with 4 point outriggers, hydr. cab elevation, 8 solid tyres plus intermediate rings, straight boom 6.00 m, stick with tipping kinematics 4.00 m, quick coupler SWA 48 LIKUFIX and Woodcracker® C350.

Weight 23,900 kg

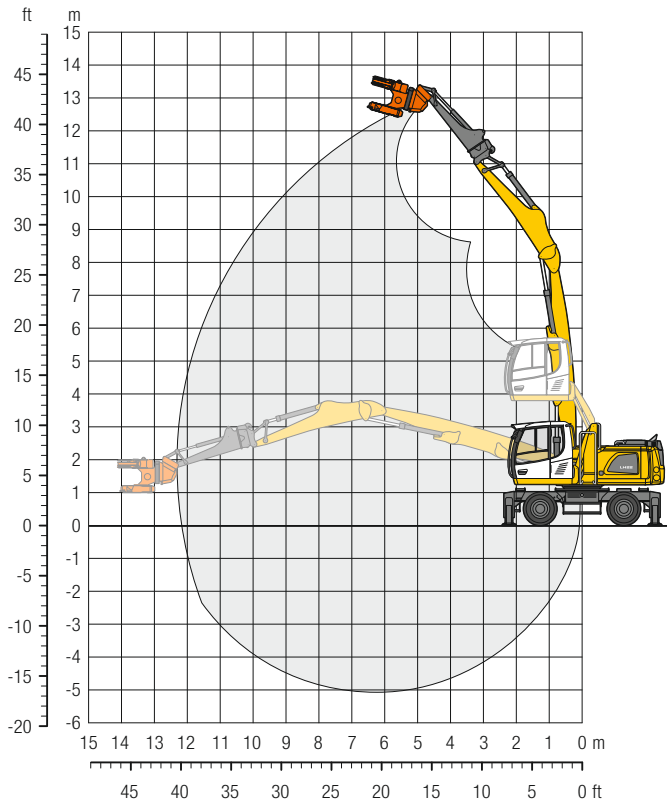
m	Undercarriage	3.0 m		4.5 m		6.0 m		7.5 m		9.0 m		10.5 m		12.0 m		13.5 m		15.0 m		m		
		Can be slewed through 360°	In longitudinal position of undercarriage	Can be slewed through 360°	In longitudinal position of undercarriage	Can be slewed through 360°	In longitudinal position of undercarriage	Can be slewed through 360°	In longitudinal position of undercarriage	Can be slewed through 360°	In longitudinal position of undercarriage	Can be slewed through 360°	In longitudinal position of undercarriage	Can be slewed through 360°	In longitudinal position of undercarriage	Can be slewed through 360°	In longitudinal position of undercarriage	Can be slewed through 360°	In longitudinal position of undercarriage	Can be slewed through 360°	In longitudinal position of undercarriage	Max. reach
12.0	Stabilizers raised																					
	4 pt. outriggers down																					
10.5	Stabilizers raised			5.6	5.9*															5.3	5.8*	4.6
	4 pt. outriggers down			5.9*	5.9*															5.8*	5.8*	
9.0	Stabilizers raised					3.6	4.9													2.8	3.9	6.8
	4 pt. outriggers down					5.5*	5.5*													4.6*	4.6*	
7.5	Stabilizers raised					3.7	4.9	2.4	3.3											2.0	2.8	8.2
	4 pt. outriggers down					5.4*	5.4*	4.6*	4.6*											4.1*	4.1*	
6.0	Stabilizers raised			5.8	6.9*	3.6	4.8	2.4	3.3	1.7	2.4									1.7	2.3	9.0
	4 pt. outriggers down			6.9*	6.9*	5.5*	5.5*	4.6*	4.6*	3.8	3.8*									3.7	3.8*	
4.5	Stabilizers raised			5.4	7.4	3.4	4.6	2.3	3.2	1.6	2.3									1.4	2.1	9.6
	4 pt. outriggers down			7.5*	7.5*	5.8*	5.8*	4.7*	4.7*	3.7	3.8*									3.3	3.4*	
3.0	Stabilizers raised	6.7*	6.7*	4.8	6.7	3.1	4.3	2.2	3.1	1.6	2.3									1.3	1.9	9.9
	4 pt. outriggers down	6.7*	6.7*	8.2*	8.2*	6.0*	6.0*	4.7*	4.7*	3.7	3.8*									3.1*	3.1*	
1.5	Stabilizers raised			4.3	6.1	2.9	4.1	2.0	2.9	1.5	2.2									1.3	1.9	10.0
	4 pt. outriggers down			8.4*	8.4*	6.1*	6.1*	4.6*	4.6*	3.6*	3.6*									2.8*	2.8*	
0	Stabilizers raised	1.0*	1.0*	3.9	5.8	2.7	3.8	1.9	2.8	1.5	2.1									1.3	1.9	9.8
	4 pt. outriggers down	1.0*	1.0*	6.1*	6.1*	5.7*	5.7*	4.3*	4.3*	3.1*	3.1*									2.3*	2.3*	
-1.5	Stabilizers raised			3.8	5.7	2.6	3.8	1.9	2.7	1.5	2.1									1.4	2.1	9.1
	4 pt. outriggers down			6.0*	6.0*	4.7*	4.7*	3.5*	3.5*	2.2*	2.2*									2.1*	2.1*	
-3.0	Stabilizers raised																					
	4 pt. outriggers down																					

Height Can be slewed through 360° In longitudinal position of undercarriage Max. reach * Limited by hydr. capacity

The lift capacities on the stick end without attachment are stated in metric tons (t) and are valid on a firm, level supporting surface with blocked oscillating axle. These capacities can be slewed through 360° with the undercarriage in the transverse position. Capacities in the longitudinal position of the undercarriage (+/- 15°) are specified over the steering axle with the stabilizers raised and over the rigid axle with the stabilizers down. Indicated loads based on the ISO 10567 standard and do not exceed 75% of tipping or 87% of hydraulic capacity. The lift capacity of the unit is limited by its stability, the lifting capability of the hydraulic elements, or the maximum permissible lifting capacity of the load hook.

In accordance with the harmonised European Standard EN 474-5, hydraulic excavators used for lifting operations must be equipped with pipe fracture safety valves, an overload warning device, a load hook and a lift capacity chart.

LH 22 M – Equipment GSV12



Operating weight

The operating weight includes the basic machine with 4 point outriggers, hydr. cab elevation, 8 solid tyres plus intermediate rings, straight boom 6.00 m, stick with tipping kinematics 4.00 m, quick coupler SWA 48 LIKUFIX, stick extension 2.25 m and Woodcracker® C250.

Weight 23,800 kg

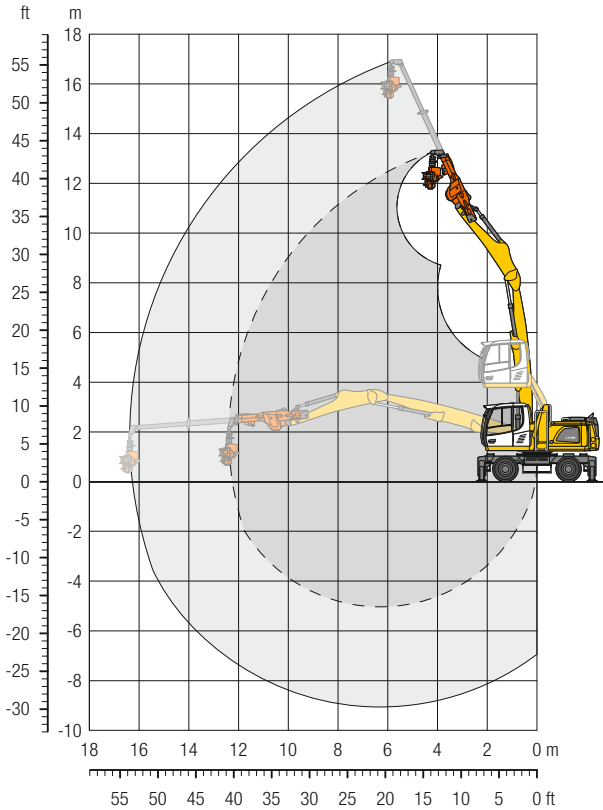
m	Undercarriage	3.0 m		4.5 m		6.0 m		7.5 m		9.0 m		10.5 m		12.0 m		13.5 m		15.0 m		m			
		Stabilizers raised	4 pt. outriggers down	Stabilizers raised	4 pt. outriggers down	Stabilizers raised	4 pt. outriggers down	Stabilizers raised	4 pt. outriggers down	Stabilizers raised	4 pt. outriggers down	Stabilizers raised	4 pt. outriggers down	Stabilizers raised	4 pt. outriggers down	Stabilizers raised	4 pt. outriggers down	Stabilizers raised	4 pt. outriggers down	Stabilizers raised	4 pt. outriggers down	Stabilizers raised	4 pt. outriggers down
12.0	Stabilizers raised					3.5*	3.5*														2.9	3.0*	6.7
	4 pt. outriggers down					3.5*	3.5*														3.0*	3.0*	
10.5	Stabilizers raised							2.5	3.2*												1.8	2.4*	8.6
	4 pt. outriggers down							3.2*	3.2*												2.4*	2.4*	
9.0	Stabilizers raised							2.6	3.5*	1.7	2.4										1.2	1.9	9.9
	4 pt. outriggers down							3.5*	3.5*	2.9*	2.9*										2.1*	2.1*	
7.5	Stabilizers raised							2.6	3.5*	1.7	2.4	1.1	1.6								0.9	1.5	10.9
	4 pt. outriggers down							3.5*	3.5*	3.1*	3.1*	2.4*	2.4*								2.0*	2.0*	
6.0	Stabilizers raised							2.5	3.5	1.7	2.4	1.1	1.6								0.7	1.2	11.5
	4 pt. outriggers down							3.5*	3.5*	3.1*	3.1*	2.7*	2.7*								1.9*	1.9*	
4.5	Stabilizers raised							2.4	3.3	1.6	2.3	1.0	1.6								0.6	1.1	12.0
	4 pt. outriggers down							3.7*	3.7*	3.2*	3.2*	2.7*	2.7*								1.9*	1.9*	
3.0	Stabilizers raised					3.4	4.3*	2.2	3.1	1.4	2.1	0.9	1.5	0.6	1.1						0.5	1.0	12.2
	4 pt. outriggers down					4.3*	4.3*	3.9*	3.9*	3.2*	3.2*	2.6	2.7*	2.0	2.1*						1.9*	1.9*	
1.5	Stabilizers raised	3.1*	3.1*	4.8	5.8*	2.9	4.1	1.9	2.8	1.3	2.0	0.8	1.4	0.5	1.0						0.5	1.0	12.3
	4 pt. outriggers down	3.1*	3.1*	5.8*	5.8*	5.2*	5.2*	4.1*	4.1*	3.3*	3.3*	2.5	2.6*	1.9*	1.9*						1.7*	1.7*	
0	Stabilizers raised	3.2*	3.2*	3.9	5.8	2.5	3.7	1.6	2.5	1.1	1.8	0.7	1.3	0.5	1.0						0.5	0.9	12.1
	4 pt. outriggers down	3.2*	3.2*	7.6*	7.6*	5.4*	5.4*	4.1*	4.1*	3.2*	3.2*	2.5	2.5*	1.6*	1.6*						1.5*	1.5*	
-1.5	Stabilizers raised	2.1*	2.1*	3.3	5.2	2.1	3.3	1.4	2.3	1.0	1.7	0.7	1.2								0.5	1.0	11.8
	4 pt. outriggers down	2.1*	2.1*	7.4*	7.4*	5.2*	5.2*	3.9*	3.9*	2.9*	2.9*	2.1*	2.1*								1.2*	1.2*	
-3.0	Stabilizers raised	2.6*	2.6*	3.0	4.9	1.9	3.1	1.3	2.2	0.9	1.6	0.7	1.2								0.6	1.1*	11.0
	4 pt. outriggers down	2.6*	2.6*	6.3*	6.3*	4.6*	4.6*	3.4*	3.4*	2.4*	2.4*	1.5*	1.5*								1.1*	1.1*	

Height Can be slewed through 360° In longitudinal position of undercarriage Max. reach * Limited by hydr. capacity

The lift capacities on the end of the stick extension without attachment are stated in metric tons (t) and are valid on a firm, level supporting surface with blocked oscillating axle. These capacities can be slewed through 360° with the undercarriage in the transverse position. Capacities in the longitudinal position of the undercarriage (+/- 15°) are specified over the steering axle with the stabilizers raised and over the rigid axle with the stabilizers down. Indicated loads based on the ISO 10567 standard and do not exceed 75% of tipping or 87% of hydraulic capacity. The lift capacity of the unit is limited by its stability, the lifting capability of the hydraulic elements, or the maximum permissible lifting capacity of the load hook.

In accordance with the harmonised European Standard EN 474-5, hydraulic excavators used for lifting operations must be equipped with pipe fracture safety valves, an overload warning device, a load hook and a lift capacity chart.

LH 22 M – Equipment GTS16



Operating weight

The operating weight includes the basic machine with 4 point outriggers, hydr. cab elevation, 8 solid tyres plus intermediate rings, straight boom 6.00 m, stick with tipping kinematics 4.00 m, quick coupler SWA 48 LIKUFIX, telescope stage T 4000 with 4.00 m and Woodcracker® CS510 crane.

Weight 23,700 kg

m	Undercarriage	3.0 m		4.5 m		6.0 m		7.5 m		9.0 m		10.5 m		12.0 m		13.5 m		15.0 m		m			
		Stabilizers raised	4 pt. outriggers down	Stabilizers raised	4 pt. outriggers down	Stabilizers raised	4 pt. outriggers down	Stabilizers raised	4 pt. outriggers down	Stabilizers raised	4 pt. outriggers down	Stabilizers raised	4 pt. outriggers down	Stabilizers raised	4 pt. outriggers down	Stabilizers raised	4 pt. outriggers down	Stabilizers raised	4 pt. outriggers down	Stabilizers raised	4 pt. outriggers down	Stabilizers raised	4 pt. outriggers down
15.0	Stabilizers raised									1.9	2.1*										1.5	1.7*	9.6
	4 pt. outriggers down									2.1*	2.1*										1.7*	1.7*	
13.5	Stabilizers raised											1.4	2.0*								1.0	1.4*	11.4
	4 pt. outriggers down											2.0*	2.0*								1.4*	1.4*	
12.0	Stabilizers raised											1.6	2.1*		1.0	1.5					0.7	1.1	12.8
	4 pt. outriggers down											2.1*	2.1*		1.8*	1.8*					1.2*	1.2*	
10.5	Stabilizers raised													1.1	1.6		0.6	1.0			0.5	0.9	13.9
	4 pt. outriggers down													2.0*	2.0*		1.4*	1.4*			1.1*	1.1*	
9.0	Stabilizers raised													1.2	1.7		0.7	1.1			0.3	0.7	14.7
	4 pt. outriggers down													2.0*	2.0*		1.8*	1.8*			1.0*	1.0*	
7.5	Stabilizers raised													1.2	1.7		0.7	1.2	0.4	0.7	0.3	0.6	15.4
	4 pt. outriggers down													2.0*	2.0*		1.8*	1.8*		1.3*	1.3*	1.0*	1.0*
6.0	Stabilizers raised													1.2	1.7		0.7	1.2	0.4	0.8	0.2	0.5	15.9
	4 pt. outriggers down													2.0*	2.0*		1.8*	1.8*		1.5	1.6*	1.0*	1.0*
4.5	Stabilizers raised													1.1	1.6		0.7	1.1	0.4	0.8	0.1	0.5	16.2
	4 pt. outriggers down													2.0*	2.0*		1.8*	1.8*		1.5	1.6*	1.0*	1.0*
3.0	Stabilizers raised											1.6	2.0*	1.1	1.6		0.7	1.1	0.3	0.7	0.1	0.5	16.4
	4 pt. outriggers down											2.0*	2.0*	2.1*	2.1*		1.8*	1.8*		1.5	1.5*	1.0*	1.0*
1.5	Stabilizers raised									1.6*	1.6*	1.4	2.0	0.9	1.4		0.6	1.0	0.3	0.7	0.1	0.4	16.4
	4 pt. outriggers down									1.6*	1.6*	2.2*	2.2*	2.2*	2.2*		1.8*	1.8*		1.4	1.5*	0.9*	0.9*
0	Stabilizers raised									1.9	2.1*	1.2	1.8	0.8	1.3		0.5	0.9	0.3	0.6	0.1	0.4	16.3
	4 pt. outriggers down									2.1*	2.1*	2.6*	2.6*	2.2*	2.2*		1.8	1.8*		1.4	1.4*	0.8*	0.8*
-1.5	Stabilizers raised			0.8*	0.8*	2.2*	2.2*	1.6	2.3	1.0	1.6	0.7	1.2	0.4	0.8		0.2	0.6	0.1	0.5	0.1	0.5	16.1
	4 pt. outriggers down			0.8*	0.8*	2.2*	2.2*	3.0*	3.0*	2.6*	2.6*	2.2	2.2*	1.7	1.7*		1.2*	1.2*		0.6*	0.6*	0.6*	0.6*
-3.0	Stabilizers raised			3.2*	3.2*	2.8	4.1	1.9	2.8	1.3	2.0	0.9	1.4	0.6	1.0	0.3	0.8	0.2	0.6	0.1	0.4*	0.4*	15.6
	4 pt. outriggers down			3.2*	3.2*	4.2*	4.2*	4.0*	4.0*	3.2*	3.2*	2.6*	2.6*	2.0	2.1*		1.6*	1.6*		0.9*	0.9*	0.4*	0.4*

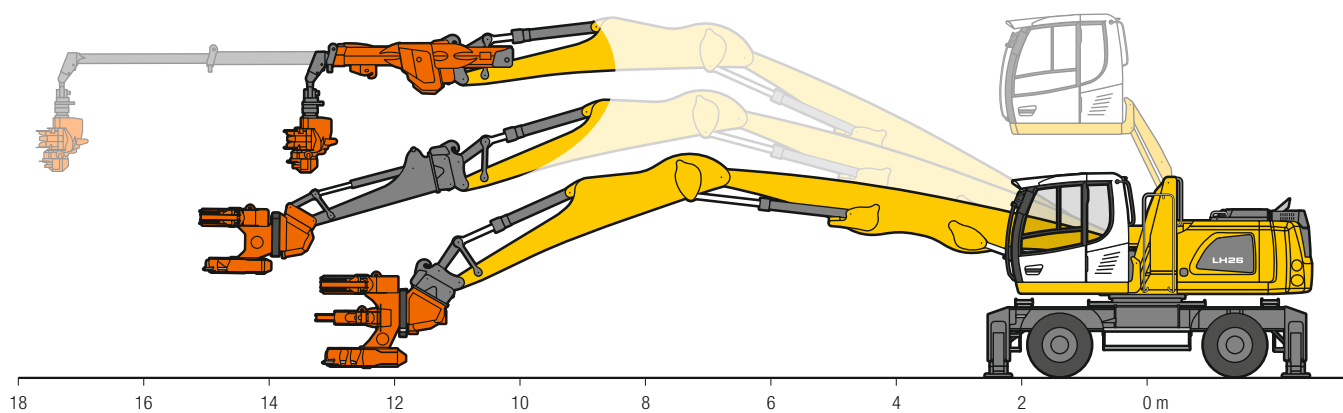
Height Can be slewed through 360° In longitudinal position of undercarriage Max. reach * Limited by hydr. capacity

The lift capacities on the end of the extended telescope stage without attachment are stated in metric tons (t) and are valid on a firm, level supporting surface with blocked oscillating axle. The maximum lift capacities of the telescopic stage from Westtech have to be considered separately (www.westtech.at). These capacities can be slewed through 360° with the undercarriage in the transverse position. Capacities in the longitudinal position of the undercarriage (+/- 15°) are specified over the steering axle with the stabilizers raised and over the rigid axle with the stabilizers down. Indicated loads based on the ISO 10567 standard and do not exceed 75% of tipping or 87% of hydraulic capacity. The lift capacity of the unit is limited by its stability, the lifting capability of the hydraulic elements, or the maximum permissible lifting capacity of the load hook.

In accordance with the harmonised European Standard EN 474-5, hydraulic excavators used for lifting operations must be equipped with pipe fracture safety valves, an overload warning device, a load hook and a lift capacity chart.

Technical data

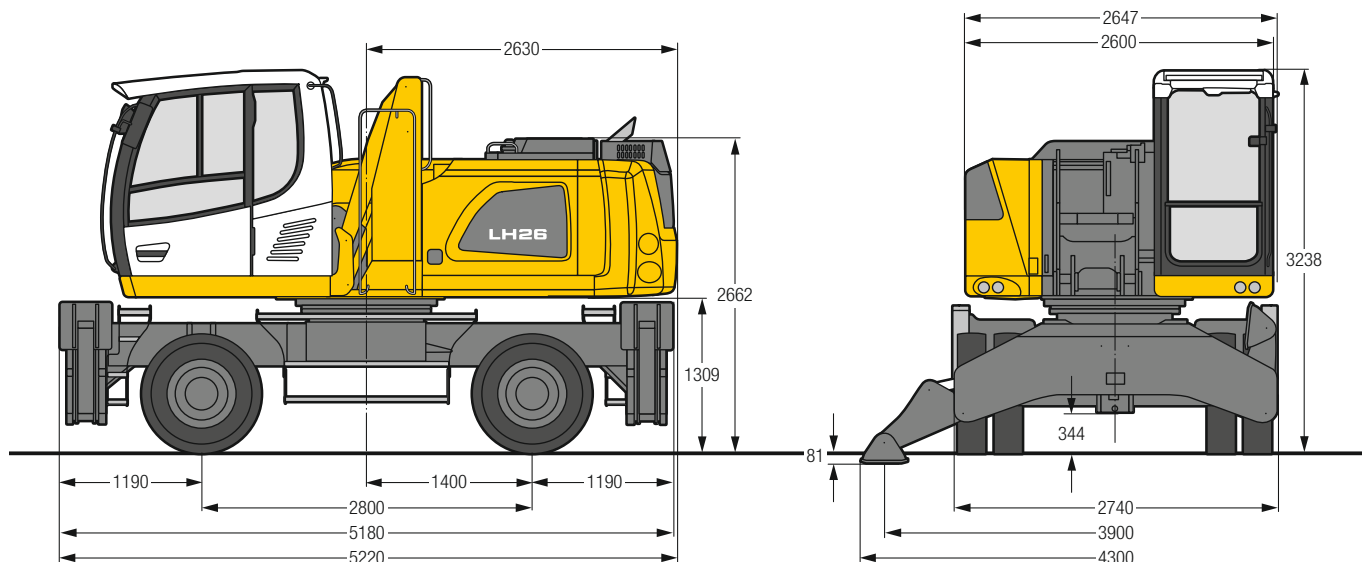
LH 26 M Industry – Range overview



Operating weight*	kg	approx. 24,200 – 24,500		
Engine output	kW / HP	115 / 157		
Emission stage	Stage	V	IIIA (compliant)	Tier 4 Final
Reach with direct mounting Woodcracker®	m	up to 12.5		
Reach with stick extension and Woodcracker®	m	up to 14.5		
Reach with telescope stage and Woodcracker®	m	up to 17.5		

* without attachment

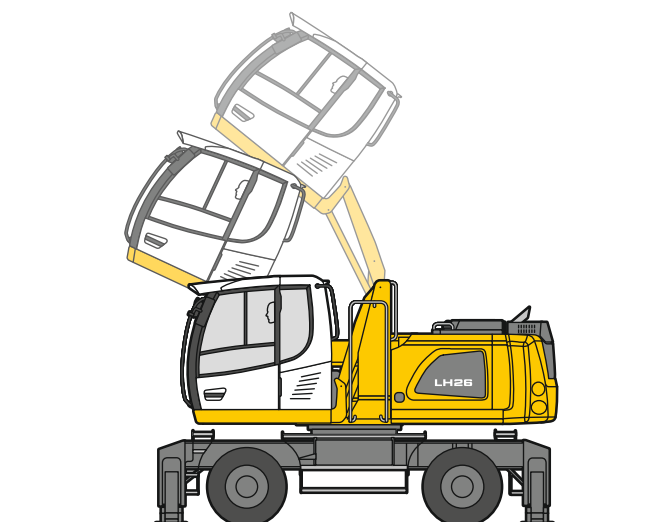
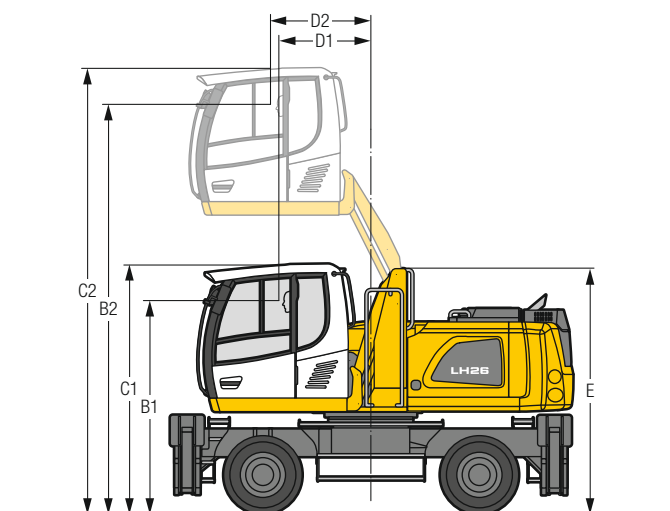
LH 26 M – Dimensions



LH 26 M – Choice of cab elevation

Cab elevation LHC (hydraulic elevation)

Cab elevation LHC (30° tilt function as an option)

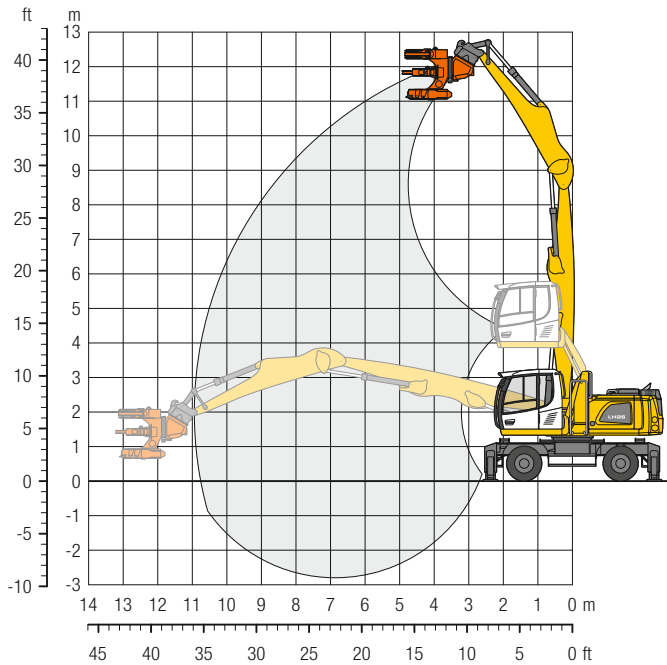


Increase type	LHC 255
B1	2,771 mm
B2	5,311 mm
C1	3,238 mm
C2	5,779 mm
D1	1,190 mm
D2	1,299 mm
E	3,179 mm

The hydraulically adjustable cab allows the driver, that he can choose his field of view freely and at any time within the stroke.

Tyres 10.00-20

LH 26 M – Equipment GK11



Operating weight

The operating weight includes the basic machine with 4 point outriggers, hydr. cab elevation, 8 solid tyres plus intermediate rings, straight boom 6.60 m, stick with tipping kinematics 4.50 m, quick coupler SWA 48 LIKUFIX and Woodcracker® C350.

Weight 26,400 kg

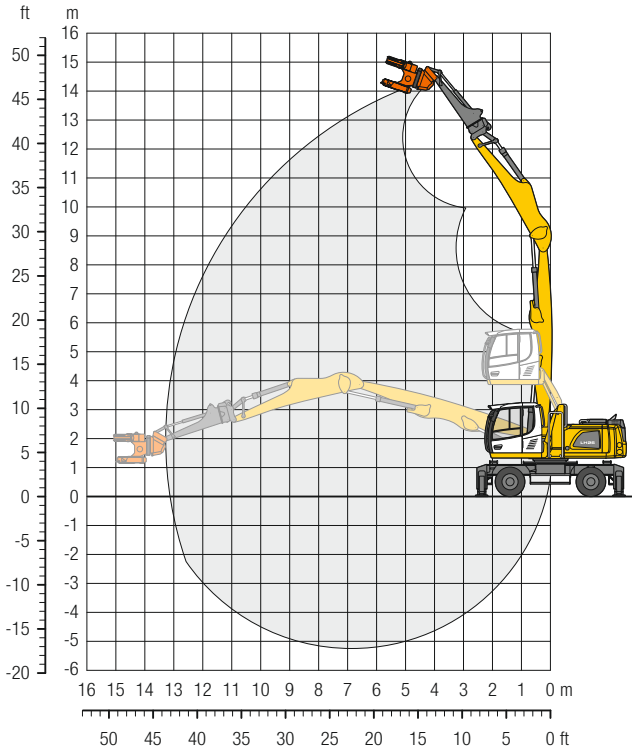
m	Undercarriage	3.0 m		4.5 m		6.0 m		7.5 m		9.0 m		10.5 m		12.0 m		13.5 m		15.0 m		16.5 m		m			
12.0	Stabilizers raised																					5.8*	5.8*	4.5	
	4 pt. outriggers down																					5.8*	5.8*		
10.5	Stabilizers raised					4.5	5.7*															3.3	4.5*	7.0	
	4 pt. outriggers down					5.7*	5.7*															4.5*	4.5*		
9.0	Stabilizers raised					4.6	6.2	3.0	4.2													2.2	3.2	8.6	
	4 pt. outriggers down					6.4*	6.4*	5.4*	5.4*													4.0*	4.0*		
7.5	Stabilizers raised					4.5	6.2	3.0	4.1	2.0	2.9											1.7	2.5	9.6	
	4 pt. outriggers down					6.4*	6.4*	5.5*	5.5*	4.6	4.8*											3.8*	3.8*		
6.0	Stabilizers raised			7.1*	7.1*	4.3	6.0	2.9	4.0	2.0	2.9											1.4	2.1	10.4	
	4 pt. outriggers down			7.1*	7.1*	6.7*	6.7*	5.6*	5.6*	4.6	4.8*											3.5	3.7*		
4.5	Stabilizers raised	6.6*	6.6*	6.6	9.0*	4.0	5.6	2.7	3.8	1.9	2.8	1.3	2.0									1.2	1.9	10.8	
	4 pt. outriggers down	6.6*	6.6*	9.0*	9.0*	7.2*	7.2*	5.8*	5.8*	4.5	4.9*	3.4	4.0*									3.2	3.8*		
3.0	Stabilizers raised	10.9	16.4*	5.7	8.3	3.6	5.2	2.5	3.6	1.8	2.6	1.3	2.0									1.1	1.8	11.1	
	4 pt. outriggers down	16.4*	16.4*	10.4*	10.4*	7.6*	7.6*	5.9	6.0*	4.3	4.9*	3.3	3.9*									3.0	3.5*		
1.5	Stabilizers raised	1.4*	1.4*	5.0	7.5	3.2	4.8	2.3	3.4	1.6	2.5	1.2	1.9									1.0	1.7	11.1	
	4 pt. outriggers down	1.4*	1.4*	10.9*	10.9*	7.8*	7.8*	5.6	6.0*	4.2	4.8*	3.3	3.7*									3.0	3.2*		
0	Stabilizers raised	1.6*	1.6*	4.5	6.9	3.0	4.5	2.1	3.2	1.5	2.4	1.1	1.8									1.1	1.7	11.0	
	4 pt. outriggers down	1.6*	1.6*	7.0*	7.0*	7.5*	7.5*	5.4	5.7*	4.1	4.4*	3.2	3.3*									2.8*	2.8*		
-1.5	Stabilizers raised			4.3	6.4*	2.8	4.3	2.0	3.1	1.5	2.3	1.1	1.8									1.1	1.8	10.5	
	4 pt. outriggers down			6.4*	6.4*	6.6*	6.6*	5.0*	5.0*	3.8*	3.8*	2.4*	2.4*									2.4*	2.4*		
-3.0	Stabilizers raised					2.8	4.3	2.0	3.1														1.7	2.7	8.2
	4 pt. outriggers down					5.0*	5.0*	3.8*	3.8*														3.3*	3.3*	

Height Can be slewed through 360° In longitudinal position of undercarriage Max. reach * Limited by hydr. capacity

The lift capacities on the stick end without attachment are stated in metric tons (t) and are valid on a firm, level supporting surface with blocked oscillating axle. These capacities can be slewed through 360° with the undercarriage in the transverse position. Capacities in the longitudinal position of the undercarriage (+/- 15°) are specified over the steering axle with the stabilizers raised and over the rigid axle with the stabilizers down. Indicated loads based on the ISO 10567 standard and do not exceed 75% of tipping or 87% of hydraulic capacity. The lift capacity of the unit is limited by its stability, the lifting capability of the hydraulic elements, or the maximum permissible lifting capacity of the load hook.

In accordance with the harmonised European Standard EN 474-5, hydraulic excavators used for lifting operations must be equipped with pipe fracture safety valves, an overload warning device, a load hook and a lift capacity chart.

LH 26 M – Equipment GSV13



Operating weight

The operating weight includes the basic machine with 4 point outriggers, hydr. cab elevation, 8 solid tyres plus intermediate rings, straight boom 6.60 m, stick with tipping kinematics 4.50 m, quick coupler SWA 48 LIKUFIX, stick extension 2.25 m and Woodcracker® C250.

Weight	26,300 kg
--------	-----------

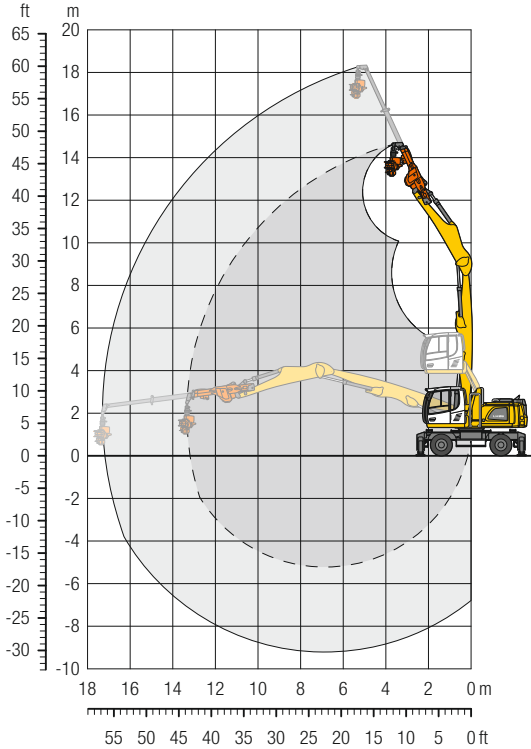
m	Undercarriage	3.0 m		4.5 m		6.0 m		7.5 m		9.0 m		10.5 m		12.0 m		13.5 m		15.0 m		16.5 m		m		
		Stabilizers raised	4 pt. outriggers down	Stabilizers raised	4 pt. outriggers down	Stabilizers raised	4 pt. outriggers down	Stabilizers raised	4 pt. outriggers down	Stabilizers raised	4 pt. outriggers down	Stabilizers raised	4 pt. outriggers down	Stabilizers raised	4 pt. outriggers down	Stabilizers raised	4 pt. outriggers down	Stabilizers raised	4 pt. outriggers down	Stabilizers raised	4 pt. outriggers down	Stabilizers raised	4 pt. outriggers down	Max. reach
18.0	Stabilizers raised																							
18.0	4 pt. outriggers down																							
16.5	Stabilizers raised																							
16.5	4 pt. outriggers down																							
15.0	Stabilizers raised																							
15.0	4 pt. outriggers down																							
13.5	Stabilizers raised					4.1*	4.1*															3.8*	3.8*	6.3
13.5	4 pt. outriggers down					4.1*	4.1*															3.8*	3.8*	6.3
12.0	Stabilizers raised							3.2	3.9*													3.0*	3.0*	8.5
12.0	4 pt. outriggers down							3.4	4.2*													3.0*	3.0*	8.5
10.5	Stabilizers raised							2.2	3.1													1.6	2.4	10.1
10.5	4 pt. outriggers down							4.2*	4.2*	3.6*	3.6*											2.7*	2.7*	10.1
9.0	Stabilizers raised							3.4	4.3*	2.3	3.2	1.5	2.2									1.2	1.9	11.2
9.0	4 pt. outriggers down							4.3*	4.3*	4.0*	4.0*	3.2*	3.2*									2.5*	2.5*	11.2
7.5	Stabilizers raised							3.4	4.4*	2.3	3.2	1.5	2.2	0.9	1.6							0.9	1.6	12.0
7.5	4 pt. outriggers down							4.4*	4.4*	4.1*	4.1*	3.7	3.7*	2.4*	2.4*							2.3*	2.3*	12.0
6.0	Stabilizers raised							3.3	4.5	2.2	3.1	1.5	2.2	0.9	1.6							0.8	1.3	12.6
6.0	4 pt. outriggers down							4.6*	4.6*	4.2*	4.2*	3.6	3.7*	2.7	3.1*							2.3*	2.3*	12.6
4.5	Stabilizers raised					4.3*	4.3*	3.0	4.2	2.0	2.9	1.4	2.1	0.9	1.5							0.6	1.2	13.0
4.5	4 pt. outriggers down					4.3*	4.3*	5.0*	5.0*	4.3*	4.3*	3.5	3.7*	2.7	3.2*							1.2	2.3*	13.0
3.0	Stabilizers raised			3.7*	3.7*	4.2	5.4*	2.7	3.9	1.8	2.7	1.3	2.0	0.8	1.4							0.6	1.1	13.2
3.0	4 pt. outriggers down			3.7*	3.7*	5.4*	5.4*	5.3*	5.3*	4.5*	4.5*	3.4	3.8*	2.6	3.1*							2.1	2.3*	13.2
1.5	Stabilizers raised	6.8*	6.8*	5.9	8.5	3.6	5.2	2.4	3.5	1.6	2.5	1.1	1.8	0.8	1.4							0.5	1.1	13.2
1.5	4 pt. outriggers down	6.8*	6.8*	8.6*	8.6*	7.1*	7.1*	5.6*	5.6*	4.3	4.6*	3.2	3.8*	2.5	3.0*							2.1	2.3*	13.2
0	Stabilizers raised	2.9*	2.9*	4.8	7.3	3.1	4.6	2.1	3.2	1.4	2.3	1.0	1.7	0.7	1.3							0.5	1.1	13.1
0	4 pt. outriggers down	2.9*	2.9*	10.3*	10.3*	7.4*	7.4*	5.5	5.7*	4.0	4.5*	3.1	3.6*	2.4	2.8*							2.1*	2.1*	13.1
-1.5	Stabilizers raised	2.4*	2.4*	4.1	6.6	2.7	4.2	1.8	2.9	1.3	2.2	0.9	1.6	0.6	1.2							0.5	1.1	12.8
-1.5	4 pt. outriggers down	2.4*	2.4*	8.6*	8.6*	7.2*	7.2*	5.2	5.5*	3.9	4.3*	3.0	3.3*	2.4	2.4*							1.8*	1.8*	12.8
-3.0	Stabilizers raised	2.9*	2.9*	3.8	6.2	2.4	3.9	1.7	2.8	1.2	2.0	0.8	1.6									0.6	1.2	12.0
-3.0	4 pt. outriggers down	2.9*	2.9*	6.7*	6.7*	6.5*	6.5*	4.9*	4.9*	3.7	3.8*	2.8*	2.8*									1.7*	1.7*	12.0

Height Can be slewed through 360° In longitudinal position of undercarriage Max. reach * Limited by hydr. capacity

The lift capacities on the end of the stick extension without attachment are stated in metric tons (t) and are valid on a firm, level supporting surface with blocked oscillating axle. These capacities can be slewed through 360° with the undercarriage in the transverse position. Capacities in the longitudinal position of the undercarriage (+/- 15°) are specified over the steering axle with the stabilizers raised and over the rigid axle with the stabilizers down. Indicated loads based on the ISO 10567 standard and do not exceed 75% of tipping or 87% of hydraulic capacity. The lift capacity of the unit is limited by its stability, the lifting capability of the hydraulic elements, or the maximum permissible lifting capacity of the load hook.

In accordance with the harmonised European Standard EN 474-5, hydraulic excavators used for lifting operations must be equipped with pipe fracture safety valves, an overload warning device, a load hook and a lift capacity chart.

LH 26 M – Equipment GTS17



Operating weight

The operating weight includes the basic machine with 4 point outriggers, hydr. cab elevation, 8 solid tyres plus intermediate rings, straight boom 6.60 m, stick with tipping kinematics 4.50 m, quick coupler SWA 48 LIKUFIX, telescope stage T 4000 with 4.00 m and Woodcracker® CS510 crane.

Weight 26,200 kg

m	Undercarriage	3.0 m		4.5 m		6.0 m		7.5 m		9.0 m		10.5 m		12.0 m		13.5 m		15.0 m		16.5 m		m				
		Stabilizers raised	4 pt. outriggers down	Stabilizers raised	4 pt. outriggers down	Stabilizers raised	4 pt. outriggers down	Stabilizers raised	4 pt. outriggers down	Stabilizers raised	4 pt. outriggers down	Stabilizers raised	4 pt. outriggers down	Stabilizers raised	4 pt. outriggers down	Stabilizers raised	4 pt. outriggers down	Stabilizers raised	4 pt. outriggers down	Stabilizers raised	4 pt. outriggers down	Stabilizers raised	4 pt. outriggers down	Stabilizers raised	4 pt. outriggers down	
18.0	Stabilizers raised					3.3*	3.3*																3.2*	3.2*	6.1	
18.0	4 pt. outriggers down					3.3*	3.3*																3.2*	3.2*	6.1	
16.5	Stabilizers raised									2.4*	2.4*												2.2*	2.2*	9.2	
16.5	4 pt. outriggers down									2.4*	2.4*												2.2*	2.2*	9.2	
15.0	Stabilizers raised											1.9	2.3*										1.5	1.8*	11.3	
15.0	4 pt. outriggers down											2.3*	2.3*										1.8*	1.8*	11.3	
13.5	Stabilizers raised													1.4	2.0								1.0	1.6*	12.8	
13.5	4 pt. outriggers down													2.1*	2.1*								1.6*	1.6*	12.8	
12.0	Stabilizers raised													1.6	2.2								0.8	1.3	14.1	
12.0	4 pt. outriggers down													2.4*	2.4*								1.4*	1.4*	14.1	
10.5	Stabilizers raised													1.6	2.3					0.6	1.1		0.6	1.1	15.0	
10.5	4 pt. outriggers down													2.5*	2.5*					1.4*	1.4*		1.3*	1.3*	15.0	
9.0	Stabilizers raised													1.7	2.3					0.7	1.1		0.4	0.9	15.8	
9.0	4 pt. outriggers down													2.5*	2.5*					2.3*	2.3*		1.3*	1.3*	15.8	
7.5	Stabilizers raised													1.7	2.3					0.7	1.2		0.3	0.8	16.4	
7.5	4 pt. outriggers down													2.6*	2.6*					2.5*	2.5*		1.2*	1.2*	16.4	
6.0	Stabilizers raised													1.6	2.3					0.7	1.2		0.3	0.7	16.8	
6.0	4 pt. outriggers down													2.6*	2.6*					2.5*	2.5*		1.2*	1.2*	16.8	
4.5	Stabilizers raised													2.2	2.4*					0.6	1.1		0.3	0.7	17.1	
4.5	4 pt. outriggers down													2.4*	2.4*					2.0	2.3*		1.5	1.7*	17.1	
3.0	Stabilizers raised													2.1	2.6*					0.6	1.1		0.3	0.7	17.3	
3.0	4 pt. outriggers down													2.6*	2.6*					1.9	2.3*		1.5	1.9*	17.3	
1.5	Stabilizers raised													1.8	2.6					0.8	1.4		0.3	0.7	17.3	
1.5	4 pt. outriggers down													2.3*	2.3*					2.9*	2.9*		1.5	1.9*	17.3	
0	Stabilizers raised													2.3	3.0*					1.9	2.3*		1.3*	1.3*	17.2	
0	4 pt. outriggers down													3.0*	3.0*					3.0*	3.0*		1.3*	1.3*	17.2	
-1.5	Stabilizers raised													1.6	2.3					0.7	1.2		0.2	0.6	0.1	0.5
-1.5	4 pt. outriggers down													3.5*	3.5*					2.3	2.7*		1.4	1.7*	1.3	1.3
-1.5	Stabilizers raised													0.9	1.5					0.8	0.8		0.2	0.6	0.1	0.5
-1.5	4 pt. outriggers down													2.7	3.1*					1.7	2.1*		1.4	1.5*	1.2*	1.2*
-3.0	Stabilizers raised													0.8	1.4					0.3	0.8		0.2	0.6	0.1	0.6
-3.0	4 pt. outriggers down													3.2	3.7*					1.6	1.9*		1.0*	1.0*	1.0*	1.0*

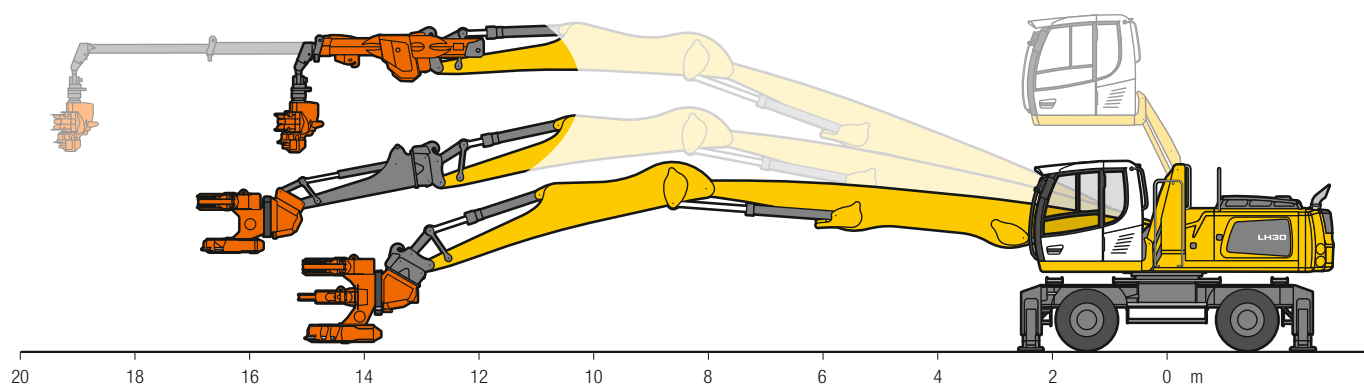
Height Can be slewed through 360° In longitudinal position of undercarriage Max. reach * Limited by hydr. capacity

The lift capacities on the end of the extended telescope stage without attachment are stated in metric tons (t) and are valid on a firm, level supporting surface with blocked oscillating axle. The maximum lift capacities of the telescopic stage from Westtech have to be considered separately (www.westtech.at). These capacities can be slewed through 360° with the undercarriage in the transverse position. Capacities in the longitudinal position of the undercarriage (+/- 15°) are specified over the steering axle with the stabilizers raised and over the rigid axle with the stabilizers down. Indicated loads based on the ISO 10567 standard and do not exceed 75% of tipping or 87% of hydraulic capacity. The lift capacity of the unit is limited by its stability, the lifting capability of the hydraulic elements, or the maximum permissible lifting capacity of the load hook.

In accordance with the harmonised European Standard EN 474-5, hydraulic excavators used for lifting operations must be equipped with pipe fracture safety valves, an overload warning device, a load hook and a lift capacity chart.

Technical data

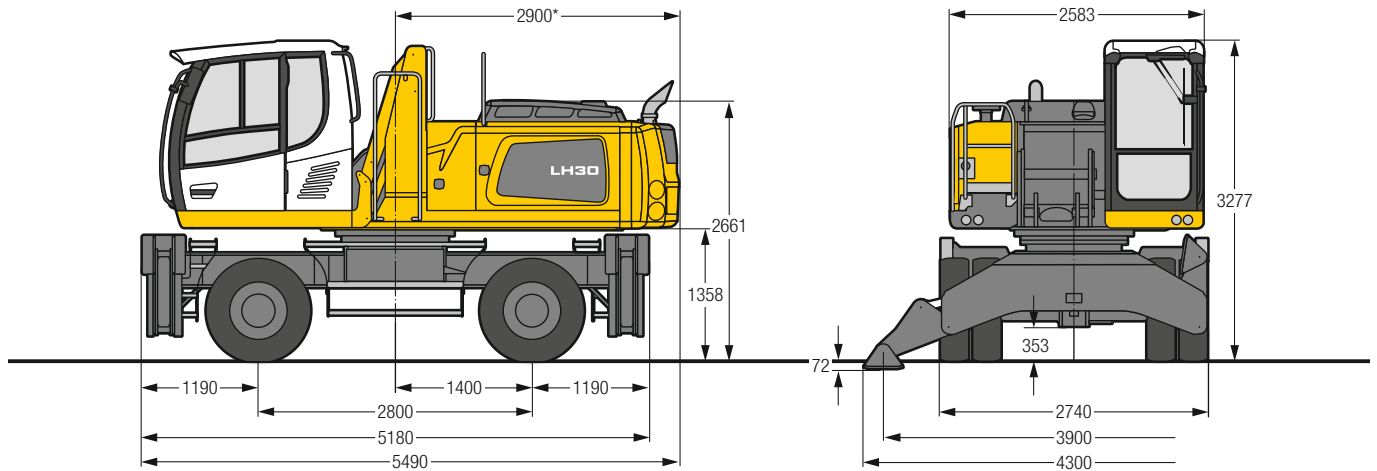
LH 30 M Industry – Range overview



Operating weight*	kg	approx. 26,500 - 29,100		
Engine output	kW / HP	140 / 190		
Emission stage	Stage	V	IIIA (compliant)	Tier 4 Final
Reach with direct mounting Woodcracker®	m	up to 14.5		
Reach with stick extension and Woodcracker®	m	up to 16.5		
Reach with telescope stage and Woodcracker®	m	up to 19.0		

* without attachment

LH 30 M – Dimensions

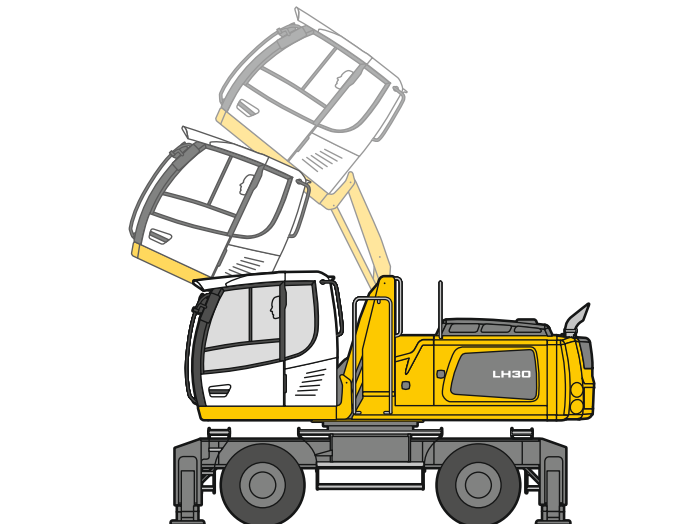
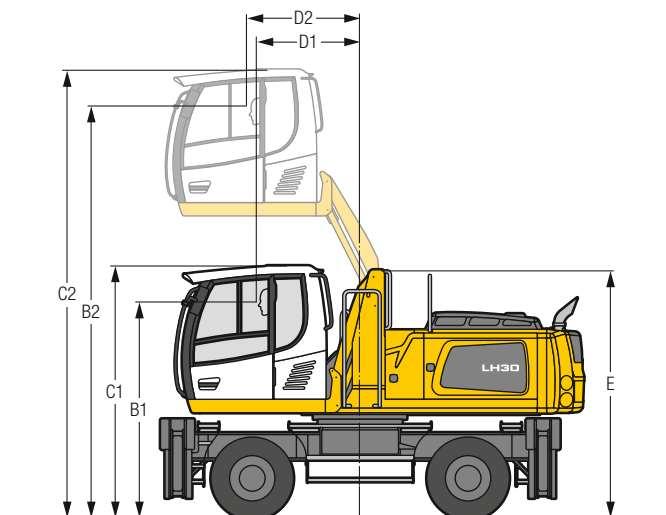


* 3,030 mm with heavy counterweight

LH 30 M – Choice of cab elevation

**Cab elevation LHC
(hydraulic elevation)**

**Cab elevation LHC
(30° tilt function as an option)**



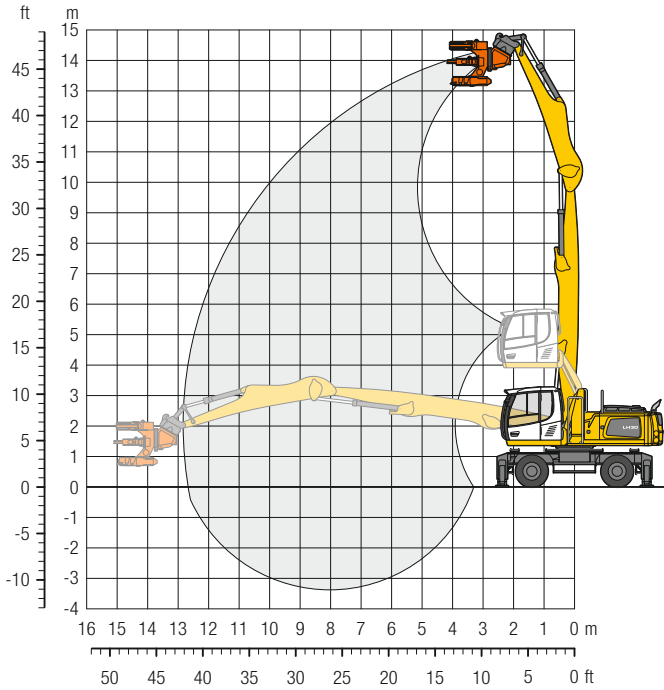
Increase type	LHC 255
B1	2,813 mm
B2	5,360 mm
C1	3,277 mm
C2	5,824 mm
D1	1,343 mm
D2	1,468 mm
E	3,218 mm

The hydraulically adjustable cab allows the driver, that he can choose his field of view freely and at any time within the stroke.

Tyres 10.00-20

LH 30 M – Equipment GK13

with heavy counterweight



Operating weight

The operating weight includes the basic machine with 4 point outriggers, hydr. cab elevation, 8 solid tyres plus intermediate rings, straight boom 7.80 m, stick with tipping kinematics 5.00 m, quick coupler SWA 48 LIKUFIX and Woodcracker® C350.

Weight 31,200 kg

m	Undercarriage	3.0 m		4.5 m		6.0 m		7.5 m		9.0 m		10.5 m		12.0 m		13.5 m		15.0 m		16.5 m		18.0 m		m			
		Stabilizers raised	4 pt. outriggers down	Stabilizers raised	4 pt. outriggers down	Stabilizers raised	4 pt. outriggers down	Stabilizers raised	4 pt. outriggers down	Stabilizers raised	4 pt. outriggers down	Stabilizers raised	4 pt. outriggers down	Stabilizers raised	4 pt. outriggers down	Stabilizers raised	4 pt. outriggers down	Stabilizers raised	4 pt. outriggers down	Stabilizers raised	4 pt. outriggers down	Stabilizers raised	4 pt. outriggers down	Stabilizers raised	4 pt. outriggers down	Stabilizers raised	4 pt. outriggers down
16.5	Stabilizers raised																										
15.0	Stabilizers raised																										
13.5	Stabilizers raised			7.6*	7.6*	5.6*	5.6*																	5.5*	5.5*		
12.0	Stabilizers raised			7.6*	7.6*	5.6*	5.6*																	5.5*	5.5*		
10.5	Stabilizers raised					6.6	7.3*	4.3	5.8															3.4	4.4*		
9.0	Stabilizers raised					7.3*	7.3*	5.9*	5.9*															4.4*	4.4*		
7.5	Stabilizers raised					6.7	7.1*	4.5	5.9	3.1	4.2												2.5	3.4			
6.0	Stabilizers raised					7.1*	7.1*	6.0*	6.0*	5.2*	5.2*												3.9*	3.9*			
4.5	Stabilizers raised					6.7	7.1*	4.5	5.9	3.1	4.2	2.2	3.1										1.9	2.7			
3.0	Stabilizers raised					7.1*	7.1*	6.0*	6.0*	5.2*	5.2*	4.5*	4.5*										3.6*	3.6*			
1.5	Stabilizers raised					6.4	7.3*	4.4	5.8	3.1	4.2	2.2	3.1										1.6	2.3			
0	Stabilizers raised					7.3*	7.3*	6.1*	6.1*	5.2*	5.2*	4.4*	4.4*										3.4*	3.4*			
-1.5	Stabilizers raised					6.1	7.7*	4.1	5.6	2.9	4.0	2.1	3.0	1.5	2.3								1.4	2.1			
-3.0	Stabilizers raised					7.7*	7.7*	6.3*	6.3*	5.2*	5.2*	4.5*	4.5*	3.6	3.7*								3.4*	3.4*			
	Stabilizers raised	11.5*	11.5*	8.7	10.9*	5.5	7.5	3.8	5.2	2.7	3.8	2.0	2.9	1.5	2.2								1.2	1.9			
	4 pt. outriggers down	11.5*	11.5*	10.9*	10.9*	8.1*	8.1*	6.5*	6.5*	5.3*	5.3*	4.4*	4.4*	3.6	3.7*								3.1*	3.1*			
	Stabilizers raised			7.4	10.6	4.9	6.9	3.5	4.8	2.5	3.6	1.9	2.8	1.4	2.1								1.1	1.8			
	4 pt. outriggers down			11.8*	11.8*	8.5*	8.5*	6.6*	6.6*	5.3*	5.3*	4.4*	4.4*	3.5	3.5*								2.8*	2.8*			
	Stabilizers raised			5.2*	5.2*	4.3	6.3	3.1	4.5	2.3	3.4	1.8	2.6	1.3	2.1								1.1	1.8			
	4 pt. outriggers down			5.2*	5.2*	8.5*	8.5*	6.6*	6.6*	5.2*	5.2*	4.2*	4.2*	3.3*	3.3*								2.5*	2.5*			
	Stabilizers raised	0.6*	0.6*	4.0*	4.0*	4.0	5.8	2.9	4.2	2.2	3.2	1.7	2.5	1.3	2.0								1.1	1.8			
	4 pt. outriggers down	0.6*	0.6*	4.0*	4.0*	8.0*	8.0*	6.2*	6.2*	4.9*	4.9*	3.9*	3.9*	2.9*	2.9*								2.1*	2.1*			
	Stabilizers raised			4.6*	4.6*	3.8	5.6	2.7	4.1	2.1	3.1	1.6	2.5	1.3	2.0								1.2	1.8*			
	4 pt. outriggers down			4.6*	4.6*	6.9*	6.9*	5.5*	5.5*	4.3*	4.3*	3.3*	3.3*	2.2*	2.2*								1.8*	1.8*			
	Stabilizers raised					3.7	5.3*	2.7	4.0	2.0	3.1	1.6	2.4*										1.5	2.3*			
	4 pt. outriggers down					5.3*	5.3*	4.3*	4.3*	3.4*	3.4*	2.4*	2.4*										2.3*	2.3*			

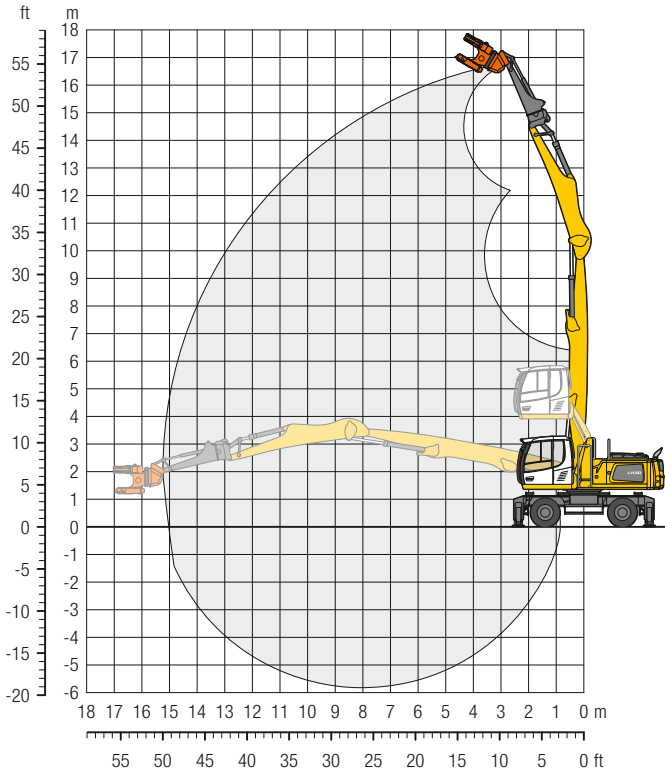
Height Can be slewed through 360° In longitudinal position of undercarriage Max. reach * Limited by hydr. capacity

The lift capacities on the stick end without attachment are stated in metric tons (t) and are valid on a firm, level supporting surface with blocked oscillating axle. These capacities can be slewed through 360° with the undercarriage in the transverse position. Capacities in the longitudinal position of the undercarriage (+/- 15°) are specified over the steering axle with the stabilizers raised and over the rigid axle with the stabilizers down. Indicated loads based on the ISO 10567 standard and do not exceed 75% of tipping or 87% of hydraulic capacity. The lift capacity of the unit is limited by its stability, the lifting capability of the hydraulic elements, or the maximum permissible lifting capacity of the load hook.

In accordance with the harmonised European Standard EN 474-5, hydraulic excavators used for lifting operations must be equipped with pipe fracture safety valves, an overload warning device, a load hook and a lift capacity chart.

LH 30 M – Equipment GSV15

with heavy counterweight



Operating weight

The operating weight includes the basic machine with 4 point outriggers, hydr. cab elevation, 8 solid tyres plus intermediate rings, straight boom 7.80 m, stick with tipping kinematics 5.00 m, quick coupler SWA 48 LIKUFIX, stick extension 2.25 m and Woodcracker® C250.

Weight	31,100 kg
--------	-----------

m	Undercarriage	3.0 m		4.5 m		6.0 m		7.5 m		9.0 m		10.5 m		12.0 m		13.5 m		15.0 m		16.5 m		18.0 m		Stick		m		
		Stabilizers raised	4 pt. outriggers down	Stabilizers raised	4 pt. outriggers down	Stabilizers raised	4 pt. outriggers down	Stabilizers raised	4 pt. outriggers down	Stabilizers raised	4 pt. outriggers down	Stabilizers raised	4 pt. outriggers down	Stabilizers raised	4 pt. outriggers down	Stabilizers raised	4 pt. outriggers down	Stabilizers raised	4 pt. outriggers down	Stabilizers raised	4 pt. outriggers down	Stabilizers raised	4 pt. outriggers down	Stabilizers raised	4 pt. outriggers down		Max. reach	Height
16.5	Stabilizers raised																								6.1*	6.1*	4.1	
15.0	4 pt. outriggers down																									6.1*	6.1*	7.7
13.5	Stabilizers raised			5.5*	5.5*	4.1*	4.1*																		3.8*	3.8*	9.9	
12.0	4 pt. outriggers down			5.5*	5.5*	4.1*	4.1*																		3.8*	3.8*	11.4	
10.5	Stabilizers raised					4.8	5.2*	3.2	4.2*																2.5	3.0*	12.6	
9.0	4 pt. outriggers down					5.2*	5.2*	4.2*	4.2*																3.0*	3.0*	13.5	
7.5	Stabilizers raised					5.0	5.2*	3.5	4.6	2.4	3.3														1.8	2.6	14.2	
6.0	4 pt. outriggers down					5.2*	5.2*	4.6*	4.6*	3.9*	3.9*														2.6*	2.6*	14.7	
4.5	Stabilizers raised							3.5	4.5*	2.5	3.4	1.7	2.4												1.4	2.1	15.0	
3.0	4 pt. outriggers down							4.5*	4.5*	4.0*	4.0*	3.4*	3.4*												2.4*	2.4*	15.2	
1.5	Stabilizers raised							3.5	4.5*	2.5	3.4	1.7	2.5												1.1	1.7	15.2	
0	4 pt. outriggers down							4.5*	4.5*	4.0*	4.0*	3.5*	3.5*												2.2*	2.2*	15.1	
-1.5	Stabilizers raised					4.9	5.2*	3.4	4.5*	2.4	3.3	1.7	2.5	1.1	1.8										0.9	1.5	14.8	
-3.0	4 pt. outriggers down					5.2*	5.2*	4.5*	4.5*	4.0*	4.0*	3.5*	3.5*	3.0	3.0*										2.1*	2.1*	13.9	
	Stabilizers raised					4.7	5.4*	3.3	4.4	2.3	3.2	1.6	2.4	1.1	1.8										0.8	1.4		
	4 pt. outriggers down					5.4*	5.4*	4.7*	4.7*	4.0*	4.0*	3.5*	3.5*	3.0	3.0*										2.1*	2.1*		
	Stabilizers raised			5.5*	5.5*	4.3	5.7*	3.0	4.1	2.1	3.0	1.5	2.3	1.1	1.7	0.7	1.2								0.7	1.2		
	4 pt. outriggers down			5.5*	5.5*	5.7*	5.7*	4.8*	4.8*	4.1*	4.1*	3.5*	3.5*	2.9	2.9*	2.1*	2.1*								2.1*	2.1*		
	Stabilizers raised			5.6*	5.6*	5.7	7.6*	3.9	5.3	2.7	3.8	2.0	2.8	1.4	2.1	1.0	1.6	0.7	1.2						0.6	1.2		
	4 pt. outriggers down			7.6*	7.6*	6.0*	6.0*	4.9*	4.9*	4.1*	4.1*	3.5*	3.5*	2.8	2.9*	2.1*	2.1*								2.0*	2.0*		
	Stabilizers raised	4.1*	4.1*	7.6	10.8	4.9	6.9	3.4	4.8	2.4	3.5	1.8	2.6	1.3	2.0	0.9	1.5	0.6	1.2						0.6	1.1		
	4 pt. outriggers down	4.1*	4.1*	11.1*	11.1*	8.0*	8.0*	6.2*	6.2*	5.0*	5.0*	4.1*	4.1*	3.4	3.4*	2.7	2.7*	1.9*	1.9*						1.7*	1.7*		
	Stabilizers raised	1.2*	1.2*	6.2	8.0*	4.1	6.1	2.9	4.3	2.1	3.2	1.6	2.4	1.2	1.9	0.8	1.5	0.6	1.2						0.6	1.1		
	4 pt. outriggers down	1.2*	1.2*	8.0*	8.0*	8.1*	8.1*	6.2*	6.2*	4.9*	4.9*	4.0*	4.0*	3.2*	3.2*	2.5*	2.5*	1.5*	1.5*						1.4*	1.4*		
	Stabilizers raised	1.6*	1.6*	5.0*	5.0*	3.6	5.5	2.6	4.0	1.9	3.0	1.4	2.3	1.1	1.8	0.8	1.4								0.6	1.1*		
	4 pt. outriggers down	1.6*	1.6*	5.0*	5.0*	7.7*	7.7*	5.9*	5.9*	4.7*	4.7*	3.7*	3.7*	2.9*	2.9*	2.1*	2.1*								1.1*	1.1*		
	Stabilizers raised	2.4*	2.4*	5.0*	5.0*	3.3	5.2	2.4	3.7	1.7	2.8	1.3	2.2	1.0	1.7	0.8	1.4								0.7	1.2*		
	4 pt. outriggers down	2.4*	2.4*	5.0*	5.0*	6.8*	6.8*	5.3*	5.3*	4.2*	4.2*	3.3*	3.3*	2.5*	2.5*	1.5*	1.5*								1.2*	1.2*		

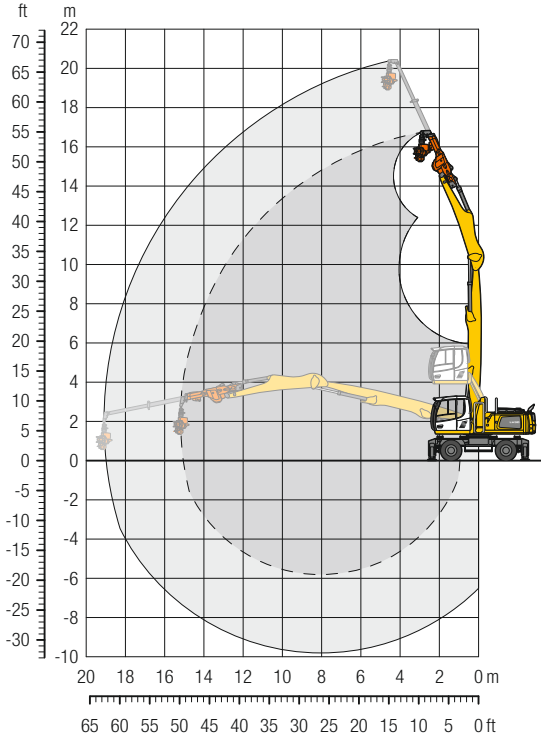
Height Can be slewed through 360° In longitudinal position of undercarriage Max. reach * Limited by hydr. capacity

The lift capacities on the end of the stick extension without attachment are stated in metric tons (t) and are valid on a firm, level supporting surface with blocked oscillating axle. These capacities can be slewed through 360° with the undercarriage in the transverse position. Capacities in the longitudinal position of the undercarriage (+/- 15°) are specified over the steering axle with the stabilizers raised and over the rigid axle with the stabilizers down. Indicated loads based on the ISO 10567 standard and do not exceed 75% of tipping or 87% of hydraulic capacity. The lift capacity of the unit is limited by its stability, the lifting capability of the hydraulic elements, or the maximum permissible lifting capacity of the load hook.

In accordance with the harmonised European Standard EN 474-5, hydraulic excavators used for lifting operations must be equipped with pipe fracture safety valves, an overload warning device, a load hook and a lift capacity chart.

LH 30 M – Equipment GTS19

with heavy counterweight



Operating weight

The operating weight includes the basic machine with 4 point outriggers, hydr. cab elevation, 8 solid tyres plus intermediate rings, straight boom 7.80 m, stick with tipping kinematics 5.00 m, quick coupler SWA 48 LIKUFIX, telescope stage T 4000 with 4.00 m and Woodcracker® CS510 crane.

Weight 31,000 kg

m	Undercarriage	3.0 m		4.5 m		6.0 m		7.5 m		9.0 m		10.5 m		12.0 m		13.5 m		15.0 m		16.5 m		18.0 m		m						
		Stabilizers raised	4 pt. outriggers down	Stabilizers raised	4 pt. outriggers down	Stabilizers raised	4 pt. outriggers down	Stabilizers raised	4 pt. outriggers down	Stabilizers raised	4 pt. outriggers down	Stabilizers raised	4 pt. outriggers down	Stabilizers raised	4 pt. outriggers down	Stabilizers raised	4 pt. outriggers down	Stabilizers raised	4 pt. outriggers down	Stabilizers raised	4 pt. outriggers down	Stabilizers raised	4 pt. outriggers down							
18.0	Stabilizers raised									3.6*	3.6*	2.4	2.5*											2.3*	2.3*	10.6				
	4 pt. outriggers down									3.6*	3.6*	2.5*	2.5*											2.3*	2.3*					
16.5	Stabilizers raised											2.9	3.4*	2.0	2.6*									1.6	1.9*	12.6				
	4 pt. outriggers down											3.4*	3.4*	2.6*	2.6*									1.9*	1.9*					
15.0	Stabilizers raised											3.2	3.5*	2.3	3.1	1.5	2.2							1.1	1.6*	14.2				
	4 pt. outriggers down											3.5*	3.5*	3.1*	3.1*	2.4*	2.4*							1.6*	1.6*					
13.5	Stabilizers raised													2.5	3.1*	1.7	2.4	1.1	1.7					0.9	1.4	15.4				
	4 pt. outriggers down													3.1*	3.1*	2.8*	2.8*	2.0*	2.0*					1.4*	1.4*					
12.0	Stabilizers raised													2.6	3.0*	1.8	2.5	1.2	1.8					0.7	1.2	16.5				
	4 pt. outriggers down													3.0*	3.0*	2.8*	2.8*	2.5*	2.5*					1.3*	1.3*					
10.5	Stabilizers raised													2.6	3.0*	1.9	2.6	1.3	1.9	0.8	1.3			0.5	1.0	17.3				
	4 pt. outriggers down													3.0*	3.0*	2.7*	2.7*	2.5*	2.5*	2.2*	2.2*			1.2*	1.2*					
9.0	Stabilizers raised													2.6	3.0*	1.9	2.6	1.3	1.9	0.8	1.4			0.4	0.9	18.0				
	4 pt. outriggers down													3.0*	3.0*	2.7*	2.7*	2.5*	2.5*	2.2*	2.2*			1.2*	1.2*					
7.5	Stabilizers raised													2.6	3.0*	1.9	2.5	1.3	1.9	0.9	1.4	0.5	0.9	0.3	0.8	18.5				
	4 pt. outriggers down													3.0*	3.0*	2.8*	2.8*	2.5*	2.5*	2.2*	2.2*			1.1*	1.1*					
6.0	Stabilizers raised													2.5	3.1*	1.8	2.5	1.3	1.8	0.8	1.3	0.5	0.9	0.3	0.7	18.9				
	4 pt. outriggers down													3.1*	3.1*	2.8*	2.8*	2.5*	2.5*	2.2*	2.2*	1.8	1.9*	1.1*	1.1*					
4.5	Stabilizers raised													3.0*	3.0*	2.3	3.1	1.7	2.3	1.2	1.8	0.8	1.3	0.5	0.9	0.2	0.7	19.1		
	4 pt. outriggers down													3.0*	3.0*	3.2*	3.2*	2.9*	2.9*	2.5*	2.5*	2.2*	2.2*	1.8	1.8*	1.1*	1.1*			
3.0	Stabilizers raised													3.0	3.3*	2.1	2.9	1.5	2.2	1.1	1.7	0.7	1.2	0.4	0.9	0.2	0.6	19.3		
	4 pt. outriggers down													3.3*	3.3*	3.3*	3.3*	2.9*	2.9*	2.5*	2.5*	2.2	2.2*	1.7	1.8*	1.1*	1.1*			
1.5	Stabilizers raised													2.9*	2.9*	2.7	3.6	1.9	2.7	1.4	2.0	1.0	1.5	0.6	1.2	0.4	0.8	0.2	0.6	19.3
	4 pt. outriggers down													3.8*	3.8*	3.4*	3.4*	2.9*	2.9*	2.5*	2.5*	2.1	2.1*	1.7	1.7*	1.0*	1.0*			
0	Stabilizers raised					0.8*	0.8*	2.7*	2.7*	2.9*	2.9*	3.2	4.0*	2.3	3.3	1.7	2.5	1.2	1.9	0.9	1.4	0.6	1.1	0.3	0.8	0.2	0.6	19.2		
	4 pt. outriggers down					0.8*	0.8*	4.0*	4.0*	4.0*	4.0*	4.0*	4.0*	3.4*	3.4*	2.9*	2.9*	2.5*	2.5*	2.0	2.1*	1.6*	1.6*	0.8*	0.8*	0.2	0.6			
-1.5	Stabilizers raised					3.9*	3.9*	3.9	5.3	2.8	3.9	2.0	2.9	1.5	2.2	1.1	1.7	0.7	1.3	0.5	1.0	0.3	0.8	0.2	0.6*	0.2	0.6*	18.9		
	4 pt. outriggers down					3.9*	3.9*	5.4*	5.4*	4.9*	4.9*	4.1*	4.1*	3.4*	3.4*	2.9*	2.9*	2.4	2.4*	1.9*	1.9*	1.3*	1.3*	0.6*	0.6*	0.2	0.6*			
-3.0	Stabilizers raised					6.9	10.1	4.5	6.5	3.2	4.6	1.7	2.6	1.3	2.0	0.9	1.6	0.6	1.2	0.4	0.9	0.3	0.7	0.2	0.6*	0.2	0.6*	18.4		
	4 pt. outriggers down					11.1*	11.1*	8.0*	8.0*	6.1*	6.1*	4.9*	4.9*	4.0*	4.0*	3.3*	3.3*	2.8	2.8*	2.2*	2.2*	1.7*	1.7*	1.0*	1.0*	0.6*	0.6*			

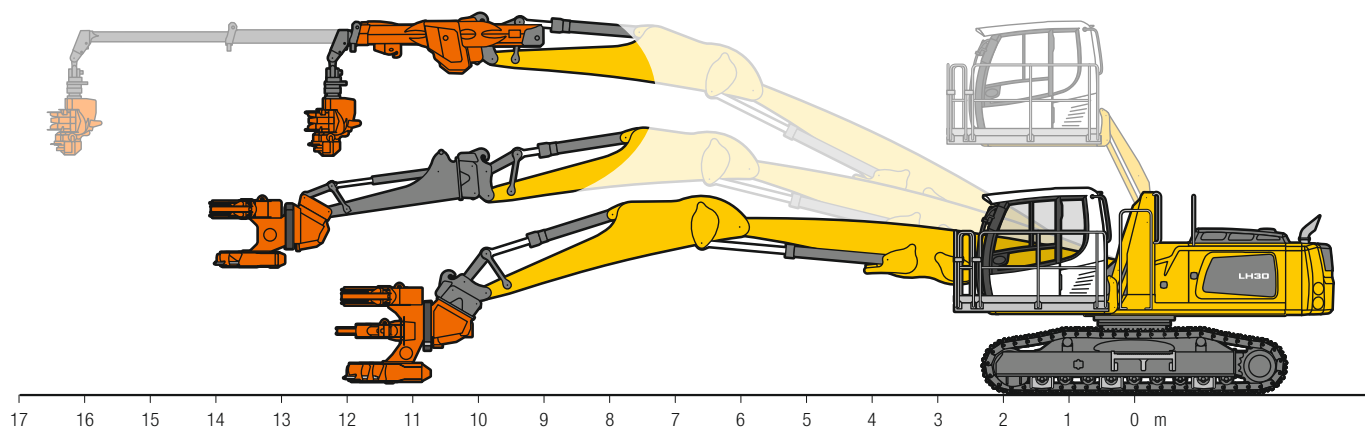
Height Can be slewed through 360° In longitudinal position of undercarriage Max. reach * Limited by hydr. capacity

The lift capacities on the end of the extended telescope stage without attachment are stated in metric tons (t) and are valid on a firm, level supporting surface with blocked oscillating axle. The maximum lift capacities of the telescopic stage from Westtech have to be considered separately (www.westtech.at). These capacities can be slewed through 360° with the undercarriage in the transverse position. Capacities in the longitudinal position of the undercarriage (+/- 15°) are specified over the steering axle with the stabilizers raised and over the rigid axle with the stabilizers down. Indicated loads based on the ISO 10567 standard and do not exceed 75% of tipping or 87% of hydraulic capacity. The lift capacity of the unit is limited by its stability, the lifting capability of the hydraulic elements, or the maximum permissible lifting capacity of the load hook.

In accordance with the harmonised European Standard EN 474-5, hydraulic excavators used for lifting operations must be equipped with pipe fracture safety valves, an overload warning device, a load hook and a lift capacity chart.

Technical data

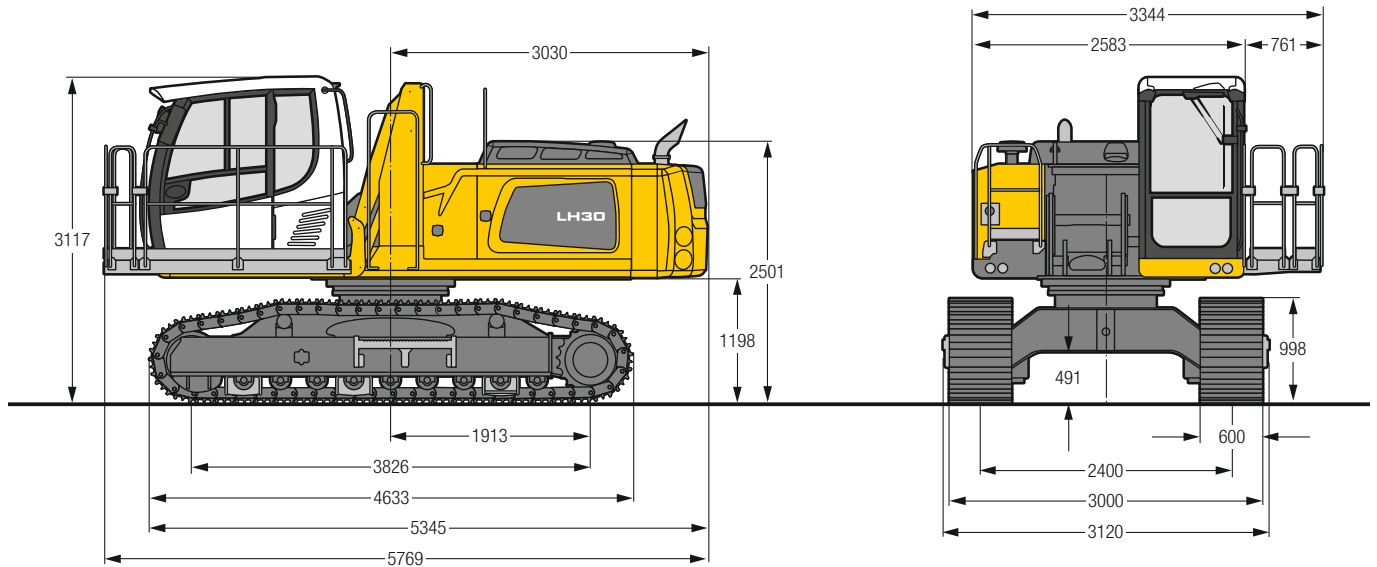
LH 30 C Industry – Range overview



Operating weight*	kg	approx. 27,100 – 30,200		
Engine output	kW / HP	140 / 190		
Emission stage	Stage	V	IIIA (compliant)	Tier 4 Final
Reach with direct mounting Woodcracker®	m	up to 11.5		
Reach with stick extension and Woodcracker®	m	up to 13.5		
Reach with telescope stage and Woodcracker®	m	up to 16.0		

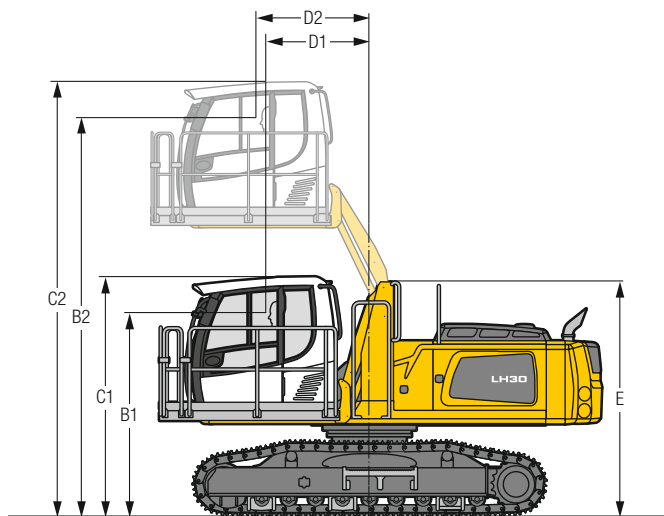
* without attachment

LH 30 C LC – Dimensions

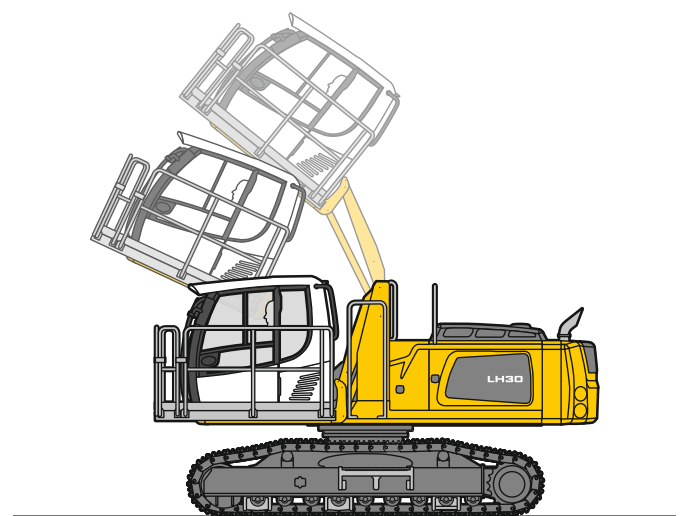


LH 30 C LC – Choice of cab elevation

**Cab elevation LHC
(hydraulic elevation)**



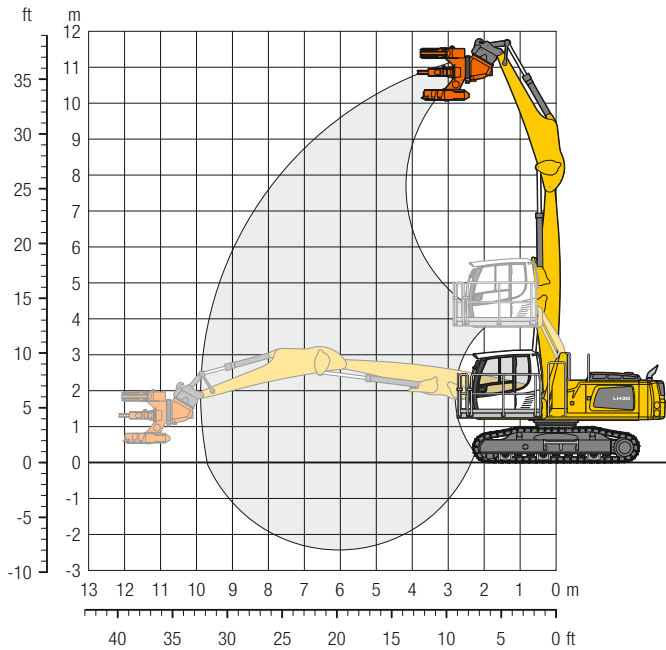
**Cab elevation LHC
(30° tilt function as an option)**



Increase type	LHC 255
B1	2,653 mm
B2	5,200 mm
C1	3,117 mm
C2	5,664 mm
D1	1,343 mm
D2	1,469 mm
E	3,058 mm

The hydraulically adjustable cab allows the driver, that he can choose his field of view freely and at any time within the stroke.

LH 30 C LC – Equipment GK10



Operating Weight and Ground Pressure

The operating weight includes the basic machine with hydr. cab elevation, straight boom 5.80 m, stick with tipping kinematics 4.00 m, quick coupler SWA 48 LIKUFIX and Woodcracker® C350.

Weight	30,000 kg
Pad width	600 mm
Ground pressure	on request

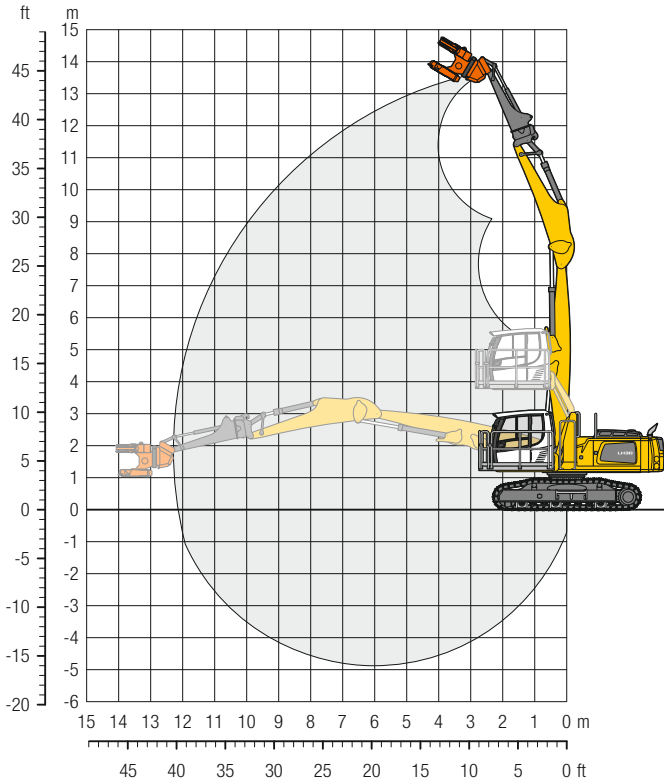
m	Undercarriage	3.0 m		4.5 m		6.0 m		7.5 m		9.0 m		10.5 m		12.0 m		13.5 m		15.0 m		Max. reach		m
		Can be slewed through 360°	In longitudinal position of undercarriage	Can be slewed through 360°	In longitudinal position of undercarriage	Can be slewed through 360°	In longitudinal position of undercarriage	Can be slewed through 360°	In longitudinal position of undercarriage	Can be slewed through 360°	In longitudinal position of undercarriage	Can be slewed through 360°	In longitudinal position of undercarriage	Can be slewed through 360°	In longitudinal position of undercarriage	Can be slewed through 360°	In longitudinal position of undercarriage	Can be slewed through 360°	In longitudinal position of undercarriage	Can be slewed through 360°	In longitudinal position of undercarriage	
10.5	LC			8.3*	8.3*															6.7*	6.7*	5.1
9.0	LC			9.8*	9.8*															5.4*	5.4*	7.1
7.5	LC					7.7	8.1*	5.3	7.1*											4.3	4.8*	8.4
6.0	LC					10.0*	10.0*	7.6	8.3*	5.3	7.1*	3.8	5.7*							3.7	4.5*	9.2
4.5	LC					11.0*	11.0*	7.4	8.7*	5.1	7.3*	3.8	5.9							3.3	4.4*	9.8
3.0	LC	18.6*	18.6*	10.9	12.3*	7.0	9.3*	5.0	7.4*	3.7	5.8								3.1	4.5*	10.1	
1.5	LC	5.9*	5.9*	10.1	13.2*	6.6	9.5*	4.7	7.4*	3.6	5.7								3.0	4.3*	10.1	
0	LC	4.6*	4.6*	9.5	12.7*	6.3	9.2*	4.6	7.0*	3.5	5.2*								3.1	3.7*	10.0	
-1.5	LC	6.1*	6.1*	9.3	10.7*	6.2	8.0*	4.5	5.9*	3.5	3.9*								3.4	3.7*	9.2	

Height Can be slewed through 360° In longitudinal position of undercarriage Max. reach * Limited by hydr. capacity

The lift capacities on the stick end without attachment are stated in metric tons (t) and can be slewed through 360° on a firm, level supporting surface. Capacities are valid for 600 mm wide triple grouser pads. Indicated loads based on the ISO 10567 standard and do not exceed 75% of tipping or 87% of hydraulic capacity. The lift capacity of the unit is limited by its stability, the lifting capability of the hydraulic elements, or the maximum permissible lifting capacity of the load hook.

In accordance with the harmonised European Standard EN 474-5, hydraulic excavators used for lifting operations must be equipped with pipe fracture safety valves, an overload warning device, a load hook and a lift capacity chart.

LH 30 C LC – Equipment GSV12



Operating Weight and Ground Pressure

The operating weight includes the basic machine with hydr. cab elevation, straight boom 5.80 m, stick with tipping kinematics 4.00 m, quick coupler SWA 48 LIKUFIX, stick extension 2.25 m and Woodcracker® C250.

Weight	29,900 kg
Pad width	600 mm
Ground pressure	on request

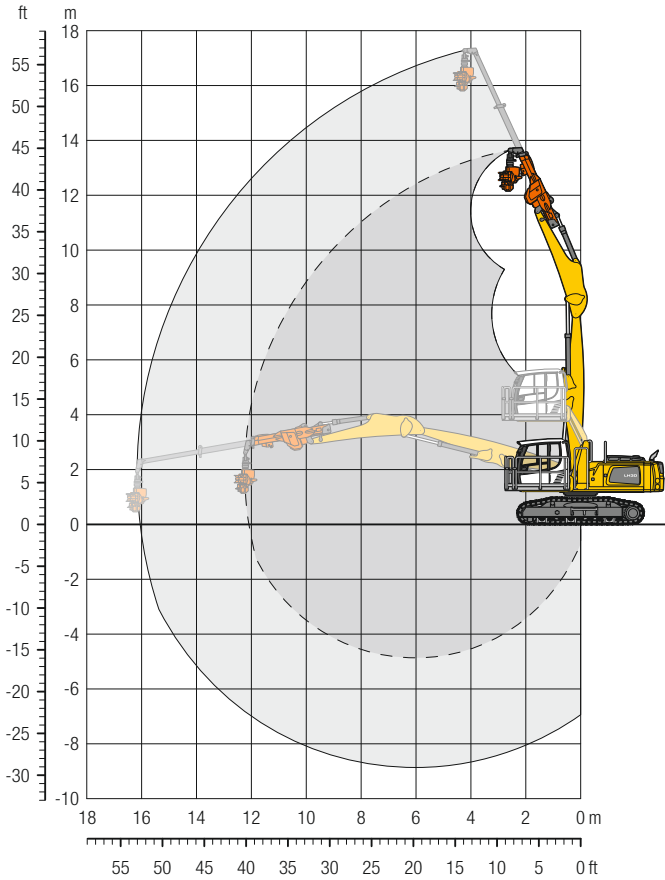
m	Undercarriage	3.0 m		4.5 m		6.0 m		7.5 m		9.0 m		10.5 m		12.0 m		13.5 m		15.0 m		Max. reach		m	
		Can be slewed through 360°	In longitudinal position of undercarriage	Can be slewed through 360°	In longitudinal position of undercarriage	Can be slewed through 360°	In longitudinal position of undercarriage	Can be slewed through 360°	In longitudinal position of undercarriage	Can be slewed through 360°	In longitudinal position of undercarriage	Can be slewed through 360°	In longitudinal position of undercarriage	Can be slewed through 360°	In longitudinal position of undercarriage	Can be slewed through 360°	In longitudinal position of undercarriage	Can be slewed through 360°	In longitudinal position of undercarriage	Can be slewed through 360°	In longitudinal position of undercarriage		
16.5	LC																						
15.0	LC																						
13.5	LC	8.3*	8.3*																		7.7*	7.7*	3.3
12.0	LC					5.8*	5.8*														4.4*	4.4*	6.7
10.5	LC					6.6*	6.6*	5.5*	5.5*												3.6*	3.6*	8.6
9.0	LC							5.8	5.9*	4.1	5.0*										3.1*	3.1*	9.9
7.5	LC							5.8	5.8*	4.1	5.3*	3.0	3.9*								2.8	2.9*	10.9
6.0	LC							5.7	5.9*	4.1	5.4*	3.0	4.7								2.5	2.8*	11.5
4.5	LC					6.7*	6.7*	5.5	6.2*	4.0	5.5*	3.0	4.7								2.3	2.7*	12.0
3.0	LC					7.6	7.8*	5.3	6.6*	3.8	5.6*	2.9	4.6	2.2	3.5*						2.1	2.7*	12.2
1.5	LC	5.6*	5.6*	10.0*	10.0*	7.1	8.6*	4.9	6.9*	3.6	5.7*	2.8	4.5	2.2	3.5*						2.1	2.7*	12.3
0	LC	11.5*	11.5*	10.0	12.5*	6.5	9.1*	4.6	7.1*	3.5	5.5	2.7	4.3	2.1	3.0*						2.1	2.8*	12.1
-1.5	LC	5.8*	5.8*	9.2	12.5*	6.1	9.0*	4.4	6.9*	3.3	5.3*	2.6	4.0*								2.2	2.4*	11.7
-3.0	LC	6.3*	6.3*	8.8	11.1*	5.8	8.1*	4.2	6.1*	3.2	4.5*	2.6	2.9*								2.6	2.8*	10.6
-4.5	LC			8.4*	8.4*	5.7	6.3*	4.2	4.6*												3.7	3.9*	8.2
-6.0	LC																						
-7.5	LC																						

Height Can be slewed through 360° In longitudinal position of undercarriage Max. reach * Limited by hydr. capacity

The lift capacities on the end of the stick extension without attachment are stated in metric tons (t) and can be slewed through 360° on a firm, level supporting surface. Capacities are valid for 600 mm wide triple grouser pads. Indicated loads based on the ISO 10567 standard and do not exceed 75% of tipping or 87% of hydraulic capacity. The lift capacity of the unit is limited by its stability, the lifting capability of the hydraulic elements, or the maximum permissible lifting capacity of the load hook.

In accordance with the harmonised European Standard EN 474-5, hydraulic excavators used for lifting operations must be equipped with pipe fracture safety valves, an overload warning device, a load hook and a lift capacity chart.

LH 30 C LC – Equipment GTS16



Operating Weight and Ground Pressure

The operating weight includes the basic machine with hydr. cab elevation, straight boom 5.80 m, stick with tipping kinematics 4.00 m, quick coupler SWA 48 LIKUFIX, telescope stage T 4000 with 4.00 m and Woodcracker® CS510 crane.

Weight	29,800 kg
Pad width	600 mm
Ground pressure	on request

m	Undercarriage	3.0 m		4.5 m		6.0 m		7.5 m		9.0 m		10.5 m		12.0 m		13.5 m		15.0 m		m			
		Can be slewed through 360°	In longitudinal position of undercarriage	Can be slewed through 360°	In longitudinal position of undercarriage	Can be slewed through 360°	In longitudinal position of undercarriage	Can be slewed through 360°	In longitudinal position of undercarriage	Can be slewed through 360°	In longitudinal position of undercarriage	Can be slewed through 360°	In longitudinal position of undercarriage	Can be slewed through 360°	In longitudinal position of undercarriage	Can be slewed through 360°	In longitudinal position of undercarriage	Can be slewed through 360°	In longitudinal position of undercarriage	Can be slewed through 360°	In longitudinal position of undercarriage	Max. reach	* Limited by hydr. capacity
16.5	LC					4.2*	4.2*													3.6*	3.6*	6.5	
15.0	LC									2.9*	2.9*									2.5*	2.5*	9.2	
13.5	LC									3.8*	3.8*									2.1*	2.1*	11.1	
12.0	LC											2.8*	2.8*							1.8*	1.8*	12.5	
10.5	LC											3.5*	3.5*	2.5*	2.5*					1.7*	1.7*	13.6	
9.0	LC											3.7*	3.7*	2.9	3.2*	1.9*	1.9*			1.7*	1.7*	14.5	
7.5	LC													3.0	3.5*	2.2	2.7*			1.6*	1.6*	15.1	
6.0	LC													3.0	3.5*	2.3	3.1*	1.7	1.7*	1.5*	1.5*	15.6	
4.5	LC												3.6*	3.6*	3.0	3.5*	2.3	3.3*	1.7	2.3*	1.4*	1.4*	15.9
3.0	LC												3.7*	3.7*	2.9	3.6*	2.2	3.4*	1.7	2.7*	1.4	1.4*	16.1
1.5	LC												3.7	3.9*	2.8	3.7*	2.1	3.4	1.6	2.7	1.3	1.4*	16.2
0	LC									4.0*	4.0*	3.5	4.2*	2.6	3.8*	2.0	3.3	1.6	2.6	1.3	1.4*	16.1	
-1.5	LC							3.8*	3.8*	4.3	4.9*	3.2	4.4*	2.5	3.9	1.9	3.1	1.5	2.6	1.3	1.5*	16.1	
-3.0	LC	11.3*	11.3*	10.3*	10.3*	6.8	8.5*	4.1*	4.1*	3.9	5.3*	3.0	4.6*	2.3	3.7	1.8	3.0	1.5	2.5	1.3	1.5*	15.8	
-4.5	LC	10.0*	10.0*	9.3	12.2*	6.1	8.9*	5.4	6.8*	4.3	5.4	2.6	4.3	2.1	3.5	1.7	2.6*			1.5	1.7*	14.5	
-6.0	LC	7.6*	7.6*	8.5	11.6*	5.6	8.4*	4.1	6.4*	3.1	5.0*	2.5	3.9*	2.0	2.9*					1.7	1.9*	13.2	
-7.5	LC	7.6*	7.6*	8.2	9.8*	5.4	7.2*	3.9	5.4*	3.0	4.1*	2.4	2.9*							2.2	2.4*	11.2	

Height Can be slewed through 360° In longitudinal position of undercarriage Max. reach * Limited by hydr. capacity

The lift capacities on the end of the extended telescope stage without attachment are stated in metric tons (t) and can be slewed through 360° on a firm, level supporting surface. The maximum lift capacities of the telescopic stage from Westtech have to be considered separately (www.westtech.at). Capacities are valid for 600 mm wide triple grouser pads. Indicated loads based on the ISO 10567 standard and do not exceed 75% of tipping or 87% of hydraulic capacity. The lift capacity of the unit is limited by its stability, the lifting capability of the hydraulic elements, or the maximum permissible lifting capacity of the load hook.

In accordance with the harmonised European Standard EN 474-5, hydraulic excavators used for lifting operations must be equipped with pipe fracture safety valves, an overload warning device, a load hook and a lift capacity chart.

Equipment



Undercarriage

	22 M	26 M	30 M	30 C
Trailer coupling			+	
Track pads, variants				+
Individual control outriggers	+	+	+	
Shuttle axle lock, automatic	•	•	•	
Outrigger monitoring system	+	+	+	
Dozer blade	+	+	+	
Tyres, variants	+	+	+	
Protection for travel drive	+	+	+	
Protection for piston rods, outriggers	+	+	+	
Two storage compartments	•	•	•	
Undercarriage, variants	+	+		+



Uppercarriage

	22 M	26 M	30 M	30 C
Uppercarriage right side light, 1 piece, LED	•	•	•	•
Uppercarriage rear light, 2 pieces, LED	+	+	+	+
Heavy counterweight			+	
Tank refilling pump fuel	+	+	+	+
Railing on uppcarriage			+	+
Generator	+	+	+	+
Main battery switch for electrical system	•	•	•	•
Amber beacon, at uppcarriage, LED double flash	+	+	+	+
Protection for headlights	+	+	+	+
Protection for rear lights	+	+	+	+
Tool equipment, extended	+	+	+	+



Hydraulic system

	22 M	26 M	30 M	30 C
Electronic pump regulation	•	•	•	•
Liebherr hydraulic oil from -20 °C to +40 °C	•	•	•	•
Liebherr hydraulic oil, biologically degradable	+	+	+	+
Magnetic rod in hydraulic tank	•	•	•	•
Bypass filter	+	+	+	+
Preheating hydraulic oil	+	+	+	+



Engine

	22 M	26 M	30 M	30 C
Fuel anti-theft device	+	+	+	+
Air pre-filter with dust discharge	+	+	+	+
Automatic engine shut-down (time adjustable)	+	+	+	+
Preheating fuel	+	+	+	+
Preheating coolant			+	+
Preheating coolant*	+	+		
Preheating engine oil*	+	+	+	+



Cooling system

	22 M	26 M	30 M	30 C
Radiator, large-mesh, for dust-intensive operation	•	•	•	•
Reversible fan drive	+	+	+	+
Protective grid (close-mesh) in front of cooler intake, extendible	•	•		
Protective grid in front of cooler intake			•	•



Cab

	22 M	26 M	30 M	30 C
Stabilizer, control lever, left console	+	+	+	
Stabilizer, proportional control on left joystick	●	●	●	
Cab lights rear, halogen			+	+
Cab lights rear, LED			+	+
Cab lights front, halogen	+	+	+	+
Cab lights front, halogen (under rain cover)	●	●	●	●
Cab lights front, LED	+	+	+	+
Cab lights front, LED (under rain cover)	+	+	+	+
Armrest adjustable	●	●	●	●
Slewing gear brake Comfort, button on the left or right joystick	+	+	+	+
Operator's seat Comfort	●	●	●	●
Operator's seat Premium	+	+	+	+
Driving alarm				
(acoustic signal is emitted during travel, can be switched ON/OFF)	+	+	+	+
Fire extinguisher	+	+	+	+
Footrest	+	+	+	+
Horn, button on left joystick	●	●	●	●
Joystick steering (max. 12 km/h)	●	●	●	
Joystick and wheel steering (slim version)	+	+	+	
Cab elevation, hydraulic (LHC)	●	●	●	●
Cab elevation, hydraulic with tilt function (LHC)	+	+	+	+
Cab elevation, rigid (LFC)	+	+	+	+
Automatic air conditioning	●	●	●	●
Wheel steering (slim version)	+	+	+	
LIDAT, vehicle fleet management	●	●	●	●
Proportional control	●	●	●	●
Radio Comfort, control via display with handsfree set	+	+	+	+
Preparation for radio installation	●	●	●	●
Back-up alarm				
(acoustic signal is emitted traveling backward, can not be switched off)	+	+	+	
Amber beacon, on cab, LED double flash	+	+	+	+
Windows made from impact-resistant laminated safety glass	+	+	+	+
Windscreen wiper, roof	+	+	+	+
Windshield wiper, entire windscreen	●	●	●	●
FOPS top guard	+	+	+	+
FGPS front guard, tiltable	+	+	+	+
Sun visor	+	+	+	+
Left control console, folding	●	●	●	●



Equipment

	22 M	26 M	30 M	30 C
Boom lights, 2 pieces, halogen	●	●	●	●
Boom lights, 2 pieces, LED	+	+	+	+
Stick lights, 2 pieces, halogen	●	●	●	●
Stick lights, 2 pieces, LED	+	+	+	+
Filter system for attachment	+	+	+	+
Height limitation and stick shutoff, electronically	+	+	+	+
Boom cylinder cushioning	+	+	+	+
Stick camera (with separate monitor), bottom side, with protection	+	+	+	+
Load holding valve tipping cylinder	+	+	+	+
Liebherr multi coupling system	+	+	+	+
Liebherr quick coupler, hydraulic	+	+	+	+
Pipe fracture safety valves hoist cylinders	●	●	●	●
Pipe fracture safety valves stick cylinders	●	●	●	●
Quick coupling system LIKUFIX	+	+	+	+
Quick coupling system MH 40B		+	+	+
Protection for piston rod, tipping cylinder	+	+	+	+
Protection for piston rods, hoist cylinder	+	+	+	+
Protection for piston rods, stick cylinder	+	+	+	+
Overload warning device	+	+	+	+



Complete machine

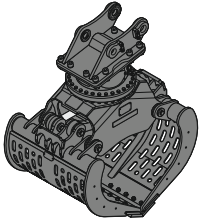
	22 M	26 M	30 M	30 C
Packages				
Tree care and the wood industry	+	+	+	+
Recycling package	+	+		
Lubrication				
Lubrication undercarriage, manually - decentralised (grease points)	●	●	●	
Lubrication undercarriage, manually - centralised (one grease point)	+	+	+	
Central lubrication system for uppercarriage and equipment, automatically	●	●	●	●
Central lubrication system for undercarriage, automatically	+	+	+	
Centralised lubrication extended for attachment	+	+	+	+
Special coating				
Special coating, variants	+	+	+	+
Monitoring				
Rear view monitoring with camera	●	●	●	●
Side view monitoring with camera	●	●	●	●

● = Standard, + = Option

* = country-dependent

Options and /or special equipment, supplied by vendors other than Liebherr, are only to be installed with the knowledge and approval of Liebherr in order to retain warranty.

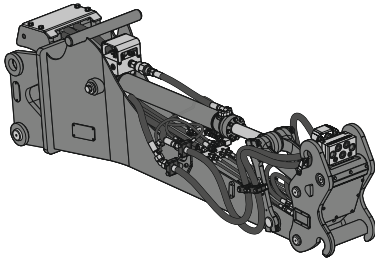
Attachments



Sorting grab

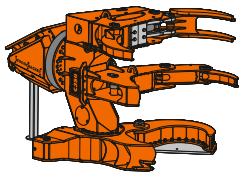
Grab model SG 25B

		perforated	ribbed	closed	perforated	ribbed	closed	perforated	ribbed	closed	perforated
Width of shells	mm	800	800	800	1,000	1,000	1,000	1,200	1,200	1,200	1,400
Capacity	m ³	0.55	0.50	0.55	0.75	0.65	0.75	0.90	0.80	0.90	1.10
Max. closing force	kN	60	60	60	60	60	60	60	60	60	60
Weight incl. adapter plate SWA	kg	1,240	1,285	1,260	1,305	1,370	1,330	1,370	1,455	1,400	1,435



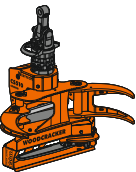
Stick extension LS 12

Length	m	2.25
Weight	kg	530 - 720
Mounting machine side		SWA 48 LIKUFIX
Mountings attachment side		direct mounting SWA 33 mechanical SWA 33 hydraulic ²⁾ SWA 33 LIKUFIX ^{1) 2) 3)}



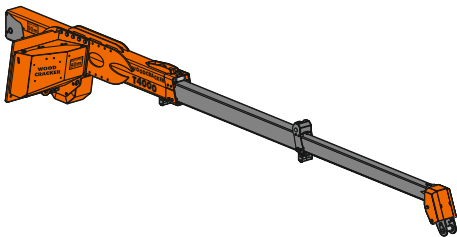
Woodcracker®

		C250 ^{2) 3)}	C350 ^{2) 3)}
Cutting diameter soft wood	mm	330	400
Cutting diameter hard wood	mm	280	350
Grab opening	mm	930	1,430
Diameter of shears	mm	450	700
Deadweight ⁴⁾ (basic - fully equipped)	kg	580 - 970	1,150 - 1,620
Accumulator		optional	optional with quick coupler



Woodcracker® CS510 crane^{2) 3)}

Cutting diameter	mm	540
Grab opening	mm	1,270
Deadweight ⁴⁾ (basic - fully equipped)	kg	360 - 440
Chain lubrication saw		oil



Woodcracker® telescope stage T 4000^{2) 3)}

Telescope stroke	mm	4,000
Telescope version		double
Deadweight ⁴⁾	kg	660 - 700
Stroke torque ex machine kinematics ⁵⁾	kNm	92
Stroke force (fully extended) ⁵⁾	kg	1,550
Telescope hose guide		inside

¹⁾ Attachment with high pressure circuit only possible with the electric switchover tipping cylinder or an extended hydraulic circuit on the carrier machine

²⁾ 14-pin signal contact strip is required, for example to control and monitor the hydraulic quick coupling system on the stick extension on the attachment side or to transfer electrical signals for the switchover

³⁾ A socket on the stick above the signal contact strip for the carrier machine is also required for switching between different hydraulic circuits

⁴⁾ Without mounting / quick coupler

⁵⁾ Gross figures without attachment, depending on carrier machine weight

For further information on Westtech tools please refer to www.westtech.at

Liebherr-Hydraulikbagger GmbH

Liebherrstraße 12 · 88457 Kirchdorf/Iller, Germany · Phone +49 7354 80-0 · Fax +49 7354 80-72 94
info.lhb@liebherr.com · www.liebherr.com · www.facebook.com/LiebherrConstruction