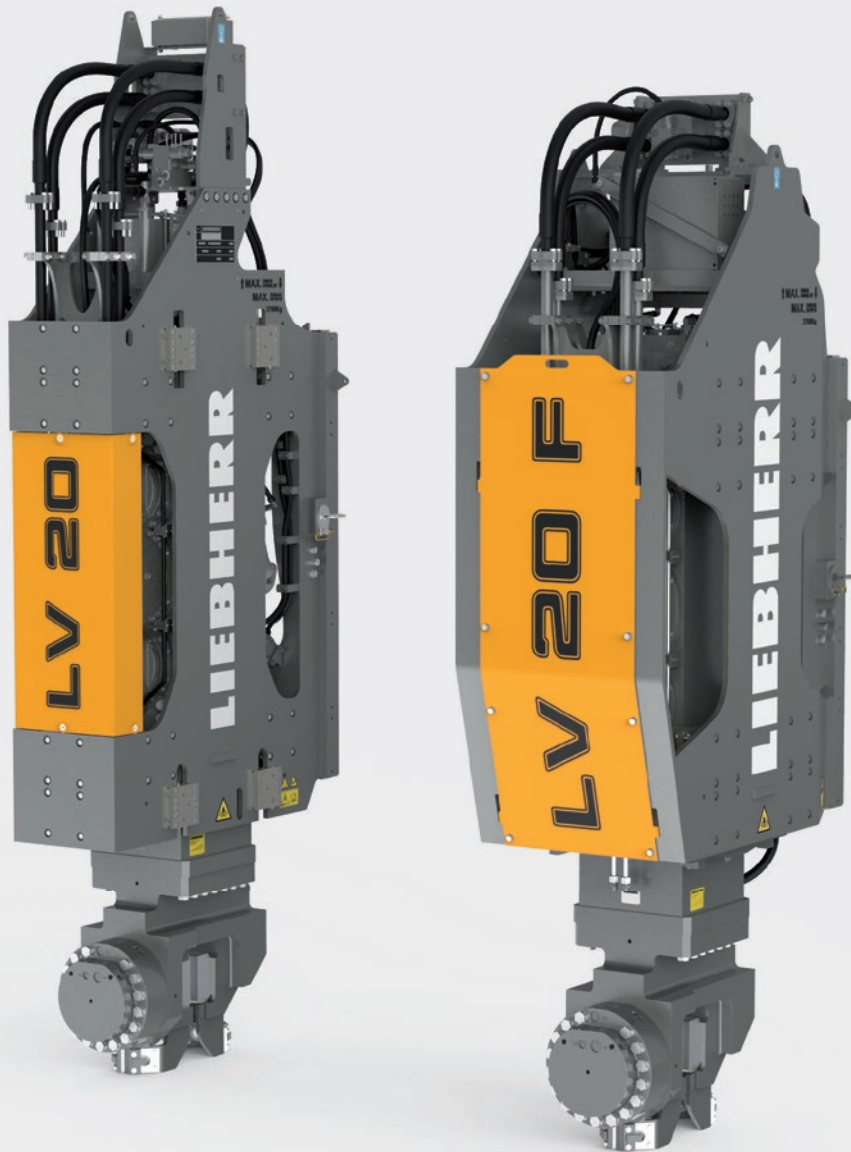


Vibrator

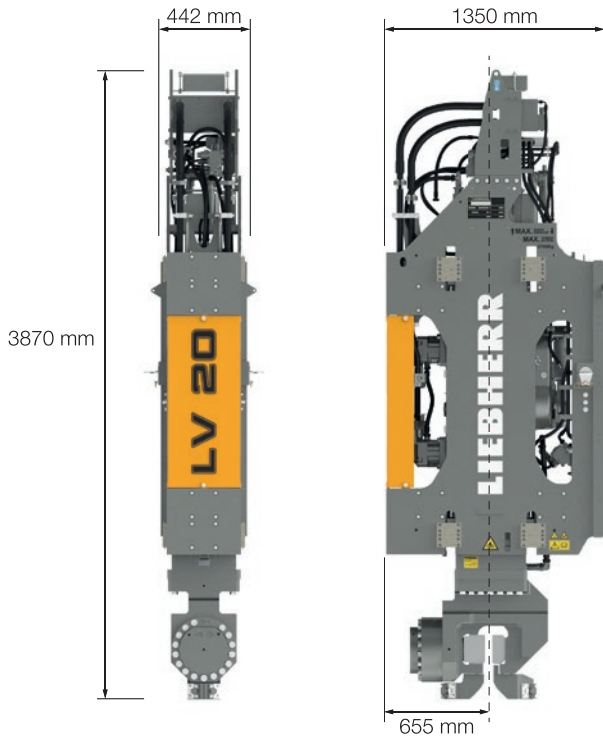
# LV 20 and LV 20 F

EN



**LIEBHERR**





LV 20

With the LV 20 Liebherr offers a powerful and innovative high-frequency vibrator for the installation or extraction of steel sheet piles, steel pipes or other piling elements. Through the use of state-of-the-art components the vibrator is particularly easy to maintain. It is leader mounted on the carrier machines of the LRB series. The rope crowd systems of these machines provide the necessary push and pull forces.

**Key Features**

- Eccentric moment : 0–20 kgm / 0–145 ft lb
- Max. centrifugal force: 1160 kN / 260,778 lbf
- Max. frequency : 2500 rpm
- Dynamic weight including clamp: 2900 kg / 6,395 lb
- Total weight including clamp: 4400 kg / 9,700 lb

**Application**

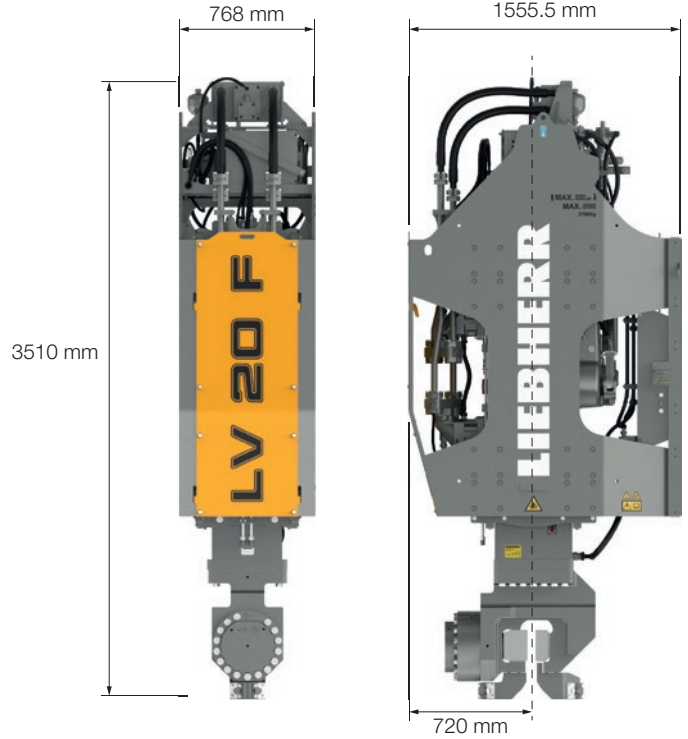
- Sheet piling

**Symmetrical suspension and new linear guide**  
more efficiency, higher endurance, less maintenance

**Cooling system**  
preheating of gearbox, more efficient cooling and lubrication

**Amplitude adjustment**  
maintenance-free, robust, with continuous control

**Large dimensioned main bearings**  
longer service life



LV 20 F

The high-frequency vibrator LV 20 F is specially designed for all common methods of soil improvement. This includes the installation of vibro-replacement columns or concrete vibration columns. The flexible suspension of the exciter block in the yoke counterbalances the angular errors between the piling element and the leader, which is unavoidable in this application. This also minimises the loss of performance as well as the wear on all parts.

**Key Features**

- Eccentric moment : 0–20 kgm / 0–145 ft lb
- Max. centrifugal force: 1160 kN / 260,778 lbf
- Max. frequency : 2500 rpm
- Dynamic weight including clamp: 3200 kg / 7,055 lb
- Total weight including clamp: 4700 kg / 10,362 lb

**Application**

- Soil improvement

**No linear guide**  
Means no wear on the vibrator and piling element

**Additional cooling system**  
for continuous operation of the vibrator

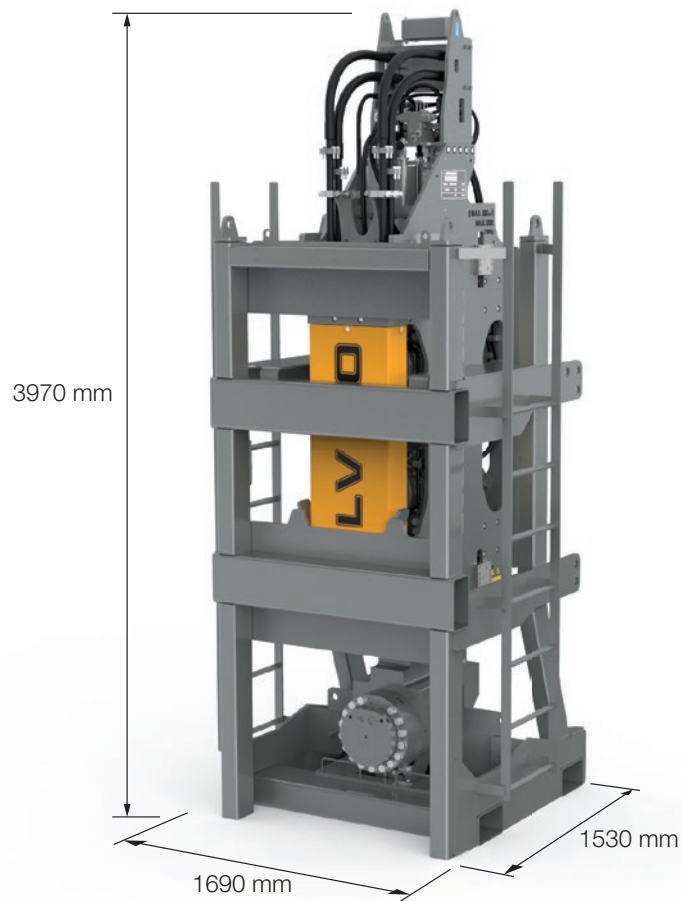
**Amplitude adjustment**  
maintenance-free, robust, with continuous control

**Large dimensioned main bearings**  
longer service life

# Transport frame

LV 20

LV 20 F



Weights	LV 20	LV 20 F
<b>Vibrator</b>	ca. 3.610 kg	ca. 3.810 kg
<b>Clamp</b>	ca. 850 kg	ca. 850 kg
<b>Feeder aid</b>	ca. 30 kg	ca. 30 kg
<b>Transport frame</b>	ca. 1.260 kg	ca. 1.090 kg
<b>Total weight</b>	ca. 5.750 kg	ca. 5.780 kg