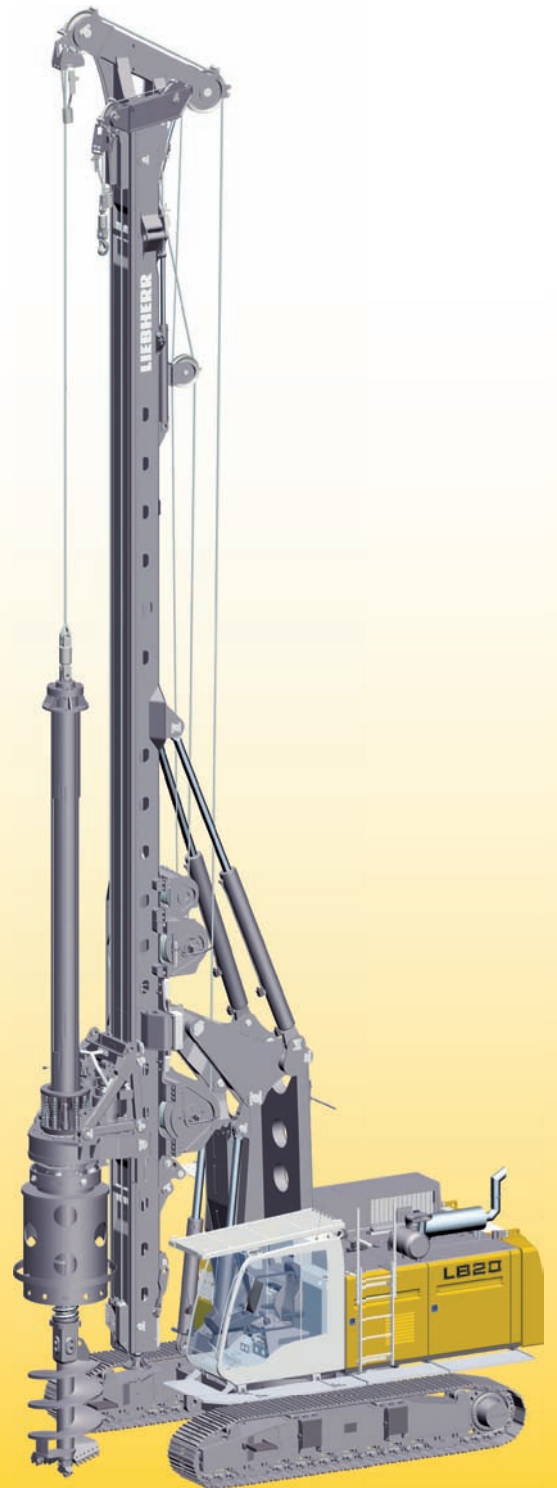


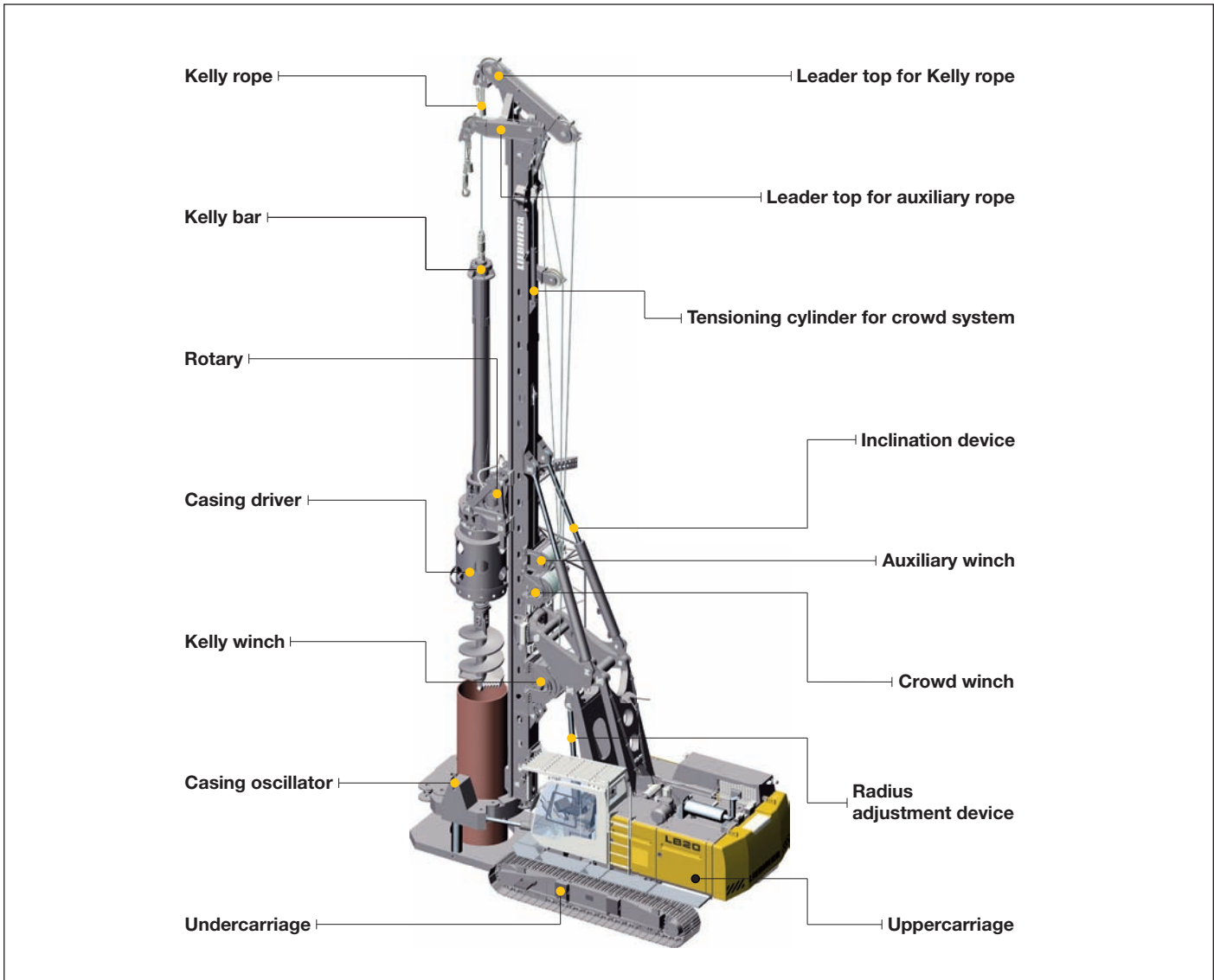
**Technical data**  
**Drilling rig**

**LB 20**  
Litronic®



**LIEBHERR**

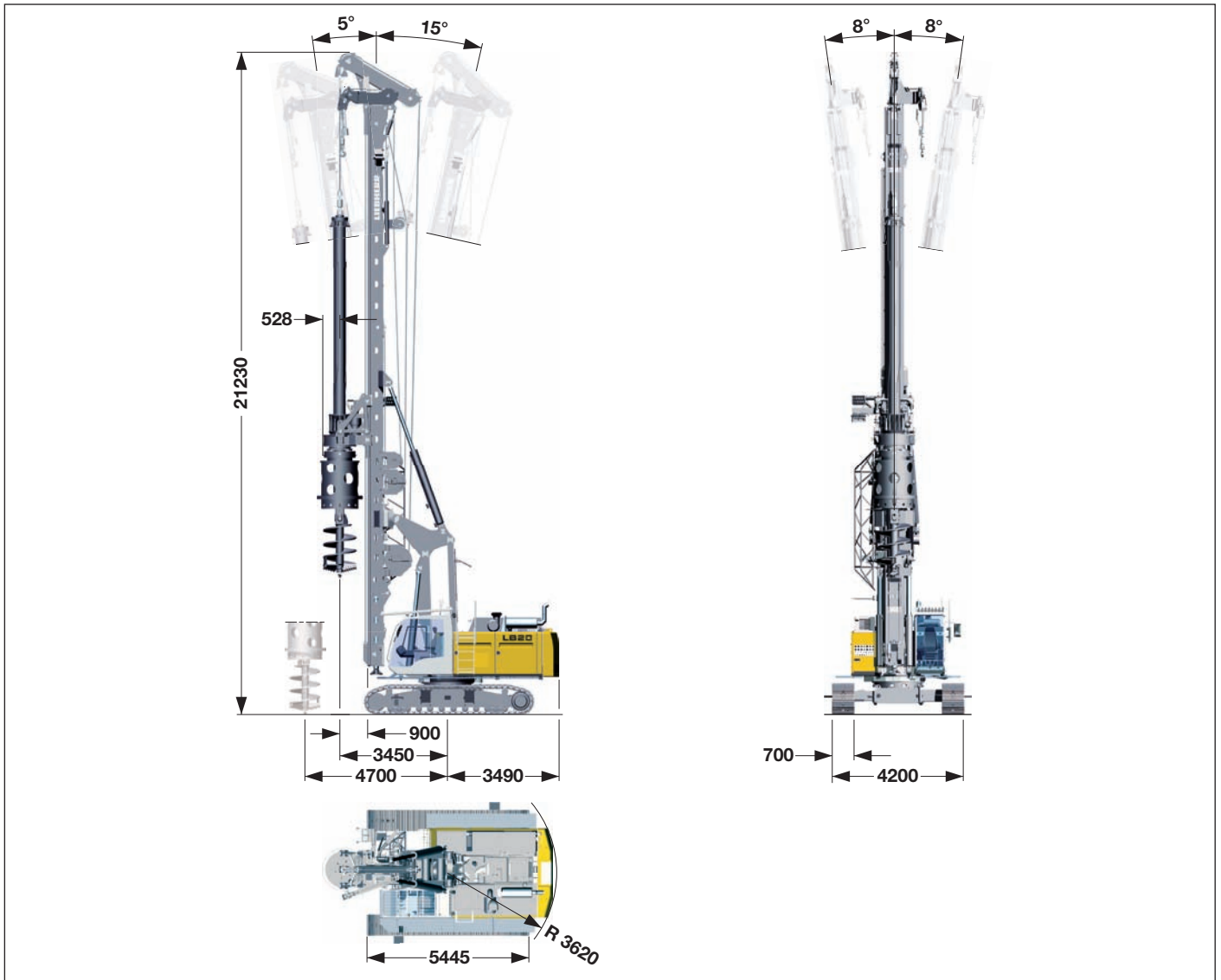
# Concept and characteristics



- High engine output with automatic engine speed control
- Controlled entirely from cab
- Sturdy and solid rig design
- Solid parallel kinematics on the basic machine
- High pull and push forces
- High torque
- Completely self-rigging (no auxiliary machines required)
- Large range of working tools (all common drilling works can be performed)
- Stepless leader inclination 5° forward - 15° backward depending on type of equipment
- Automatic vertical alignment
- High alignment forces
- Simultaneous control of several movements via Load-sensing multi-circuit hydraulics
- Quick assembly of rotary possible through quick connection
- Equipment design according to latest European regulations and standards
- All components designed to fulfill the special requirements of a drilling rig
- High manufacturing quality through quality control by PDE®-system

# Dimensions

## Basic machine LB 20



### Technical data

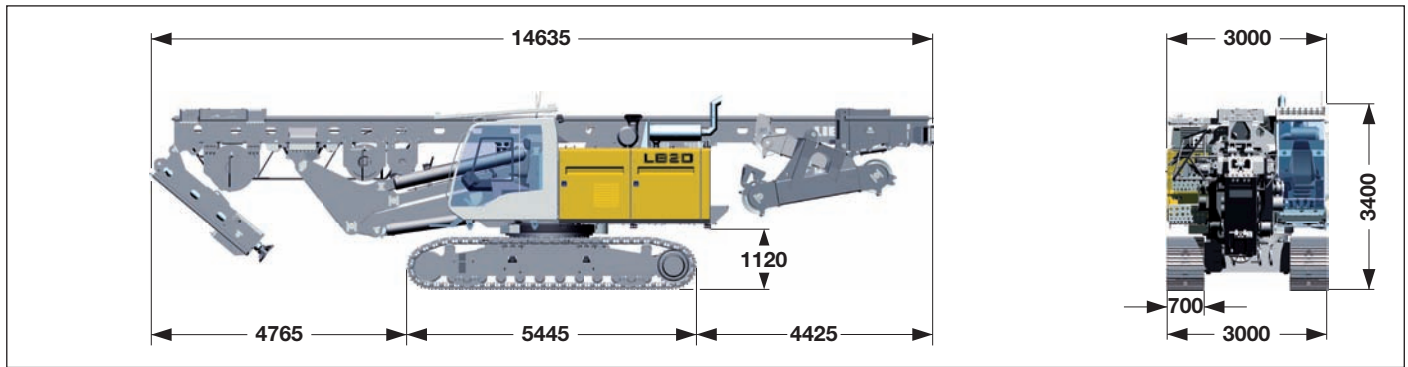
Total height	21.23 m
Max. pull, leader on ground	300 kN
Max. torque	209 kNm
Stepless leader inclination	
Lateral inclination	± 8°
Forward inclination	5°
Backward inclination	15°

### Operating weight

Total weight	with 700 mm 3-web grousers	68.5 t
	with 800 mm 3-web grousers	68.9 t

The operating weight includes the basic machine (with rotary and Kelly bar MD 20/3/24) and 8 t counterweight.

# Transport dimensions and weights

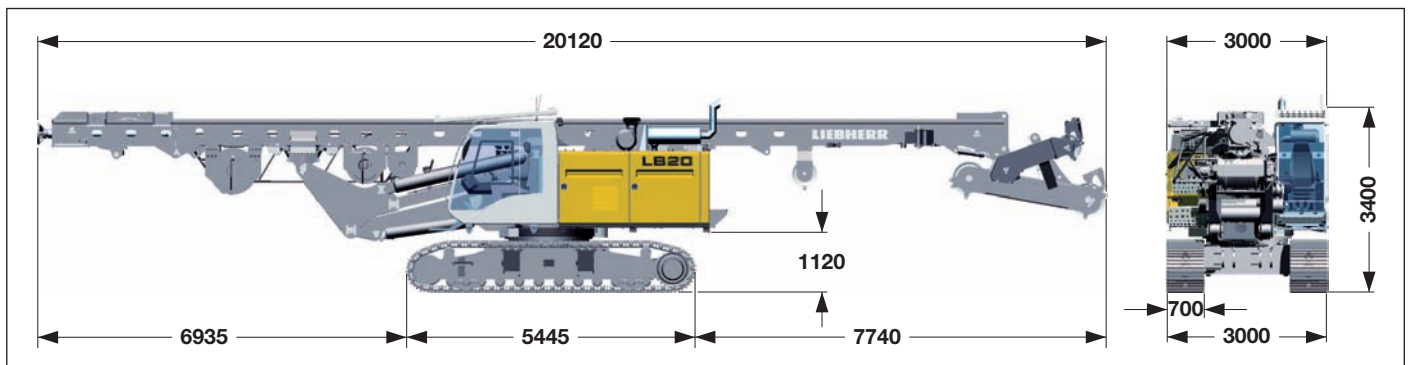


## Transport - leader folded\*

includes the basic machine (ready for operation) with leader, without working tools (such as rotary, Kelly bar etc.) and without counterweight.

## Dimensions and weights

Leader length	17.91 m
Weight complete without counterweight	51.1 t

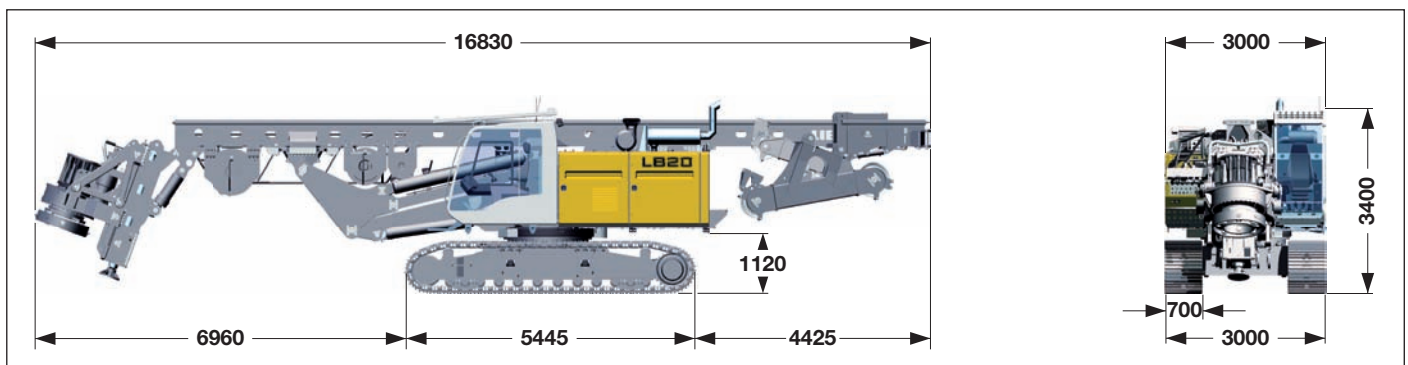


## Transport - standard

includes the basic machine (ready for operation) with leader, without working tools (such as rotary, Kelly bar etc.) and without counterweight.

## Dimensions and weights

Leader length	17.91 m
Weight complete without counterweight	51.1 t



## Transport - leader folded with rotary\*\*

includes the basic machine (ready for operation) with leader and rotary, without other working tools (such as Kelly bar etc.) and without counterweight.

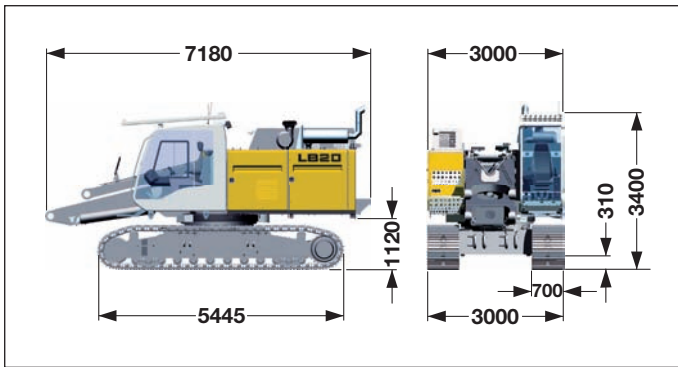
## Dimensions and weights

Leader length	17.91 m
Weight complete, with rotary and without counterweight	56.9 t

\*) Folding cylinder for leader top recommended

\*\*) Folding cylinder for leader top and leader bottom required

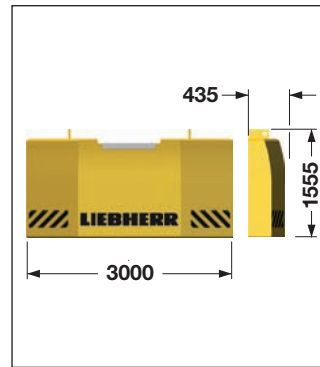
# Transport dimensions and weights



## Transport basic machine

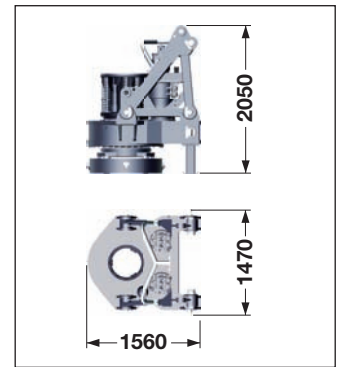
ready for operation, without counterweight.

Transport weight ————— 32.8 t



## Counterweight

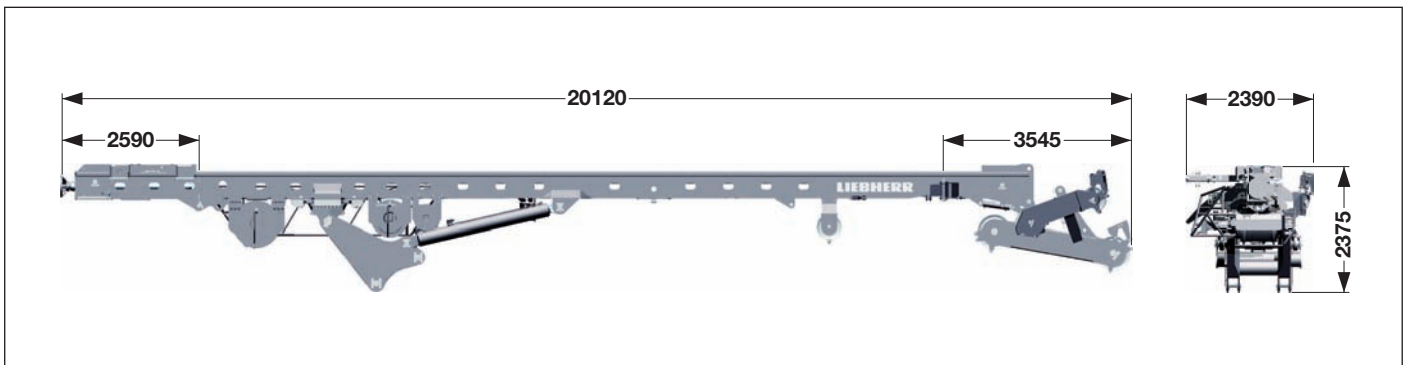
Weight ————— 8.05 t



## Rotary

Transport weight

BA 200 ————— 5.3 t



## Transport leader

includes the leader without working tools (such as rotary, Kelly bar etc.).

Weights can vary with the final configuration of the machine.  
The figures in this brochure may include options which are not within the standard scope of supply of the machine.

## Dimensions and weights

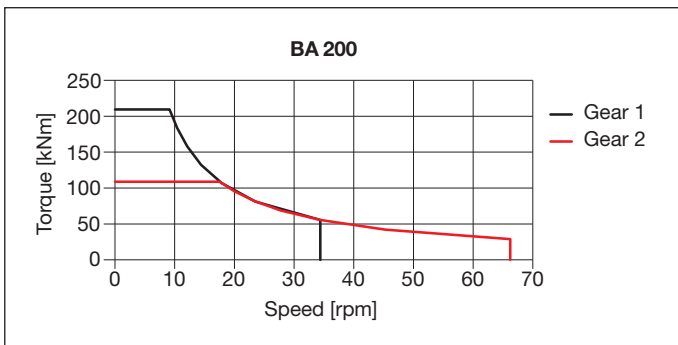
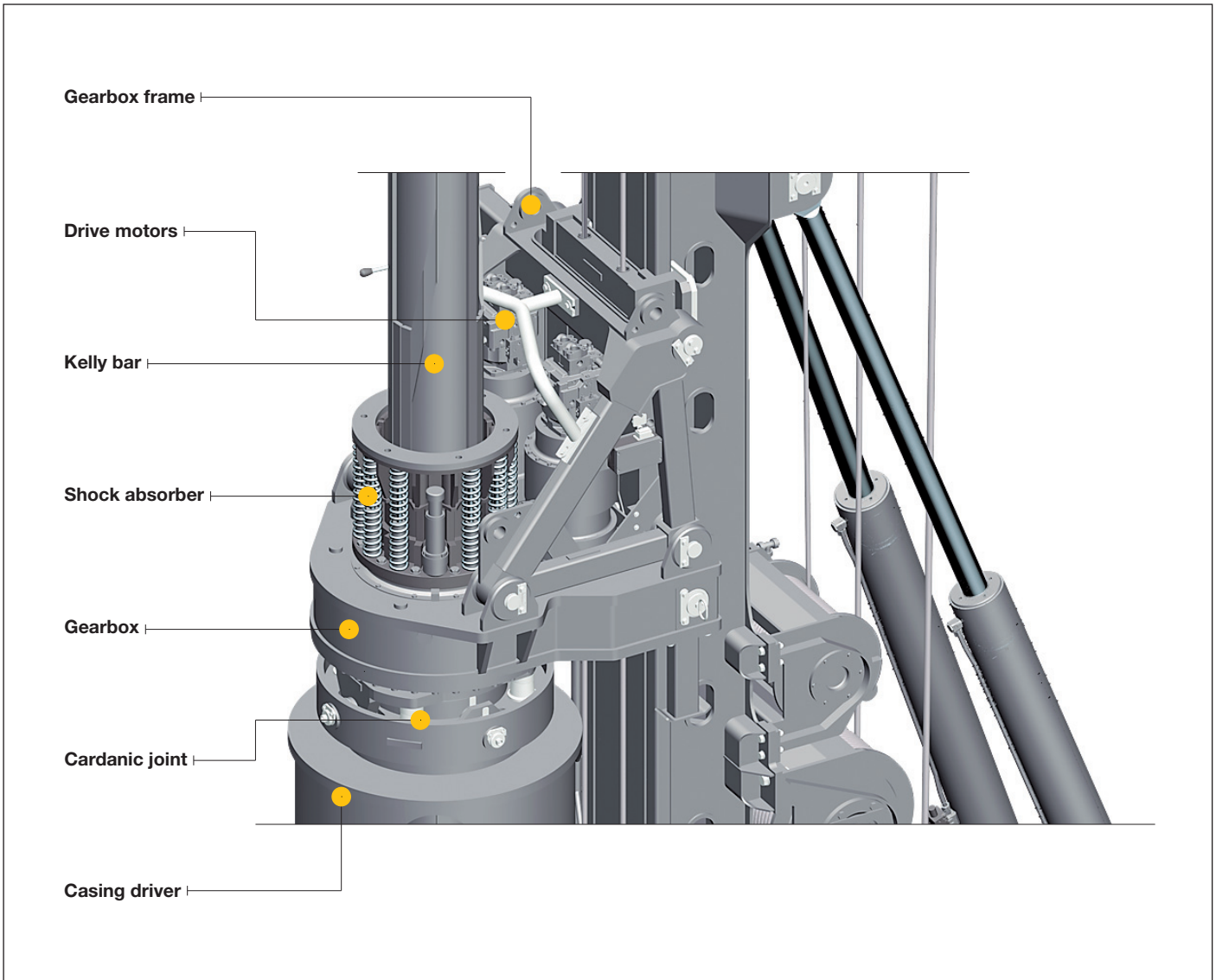
Leader length ————— 17.91 m

Weight complete ————— 18.3 t

Lower part of the leader ————— 1.2 t

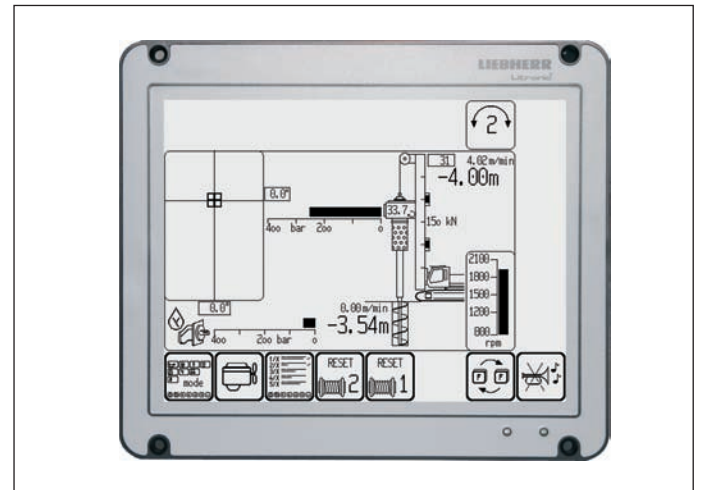
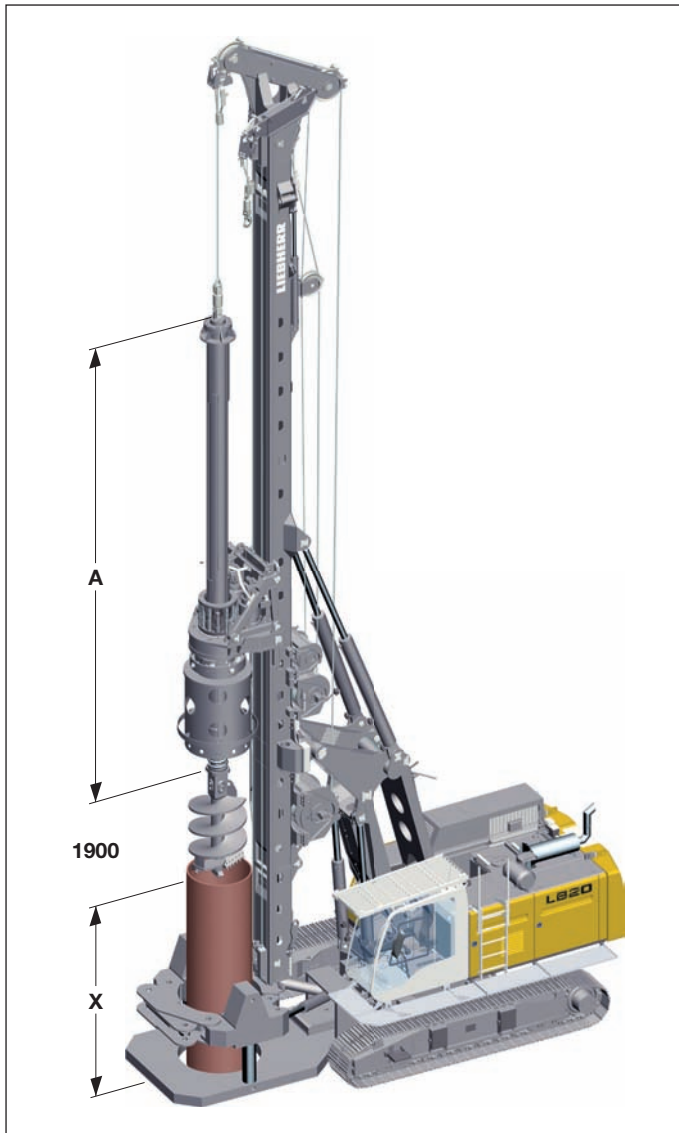
Upper part of the leader with leader top ————— 2.1 t

# Rotary BA 200 with shock absorber



- 2-stage-gear drive for flexible adaptation to soil conditions
- Due to stepless speed control via joystick optimum and precise alignment and rock drilling is possible even at low speed levels; it is not required to preselect an operating mode
- Kelly shock absorber and rubber bearing relieve the material and reduce noise emission
- Thanks to the Kelly shock absorber the Kelly bar is guided at greater length
- Various drive adapters provide compatibility with other systems

# Kelly drilling



Display for Kelly drilling

## Technical data

Drilling drive - torque	1 <sup>st</sup> gear	209 kNm
Drilling drive - speed	1 <sup>st</sup> gear	34 rpm
Drilling drive - torque	2 <sup>nd</sup> gear	109 kNm
Drilling drive - speed	2 <sup>nd</sup> gear	66 rpm

## Performance data

Max. drilling diameter*	1500 mm uncased
Max. drilling diameter*	1200 mm cased

\*) Other drilling diameters available on request.

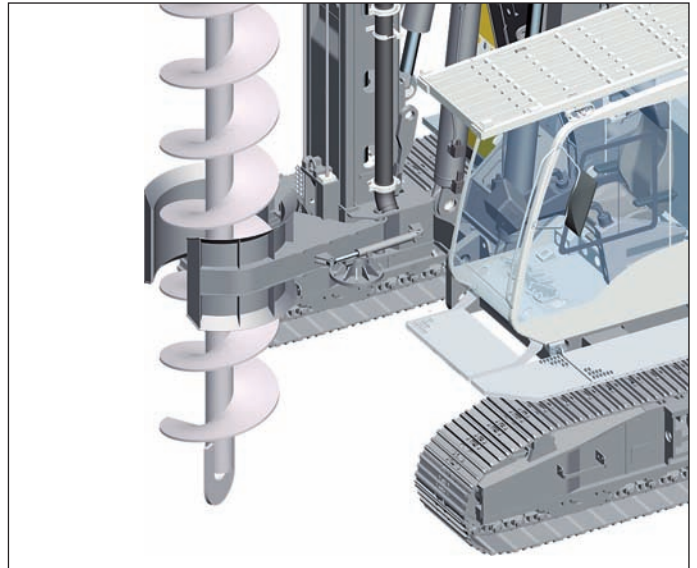
## Kelly bars

	A	X	Drilling depth	Weight	Kelly Ø
	(mm)	(mm)	(m)	(t)	(mm)
MD 20/3/24	9800	6900	22.3	4.1	368
MD 20/3/27	10800	5900	25.3	4.5	368
MD 20/3/30	11800	4900	28.3	4.8	368
MD 20/3/33	12800	3900	31.3	5.2	368
MD 20/4/36	11360	5400	34.3	6.3	368
MD 20/4/42	12950	3800	40.3	6.9	368
MD 20/4/48	14450	2300	46.3	7.6	368
MD 20/4/54	15950	800	52.3	8.4	368

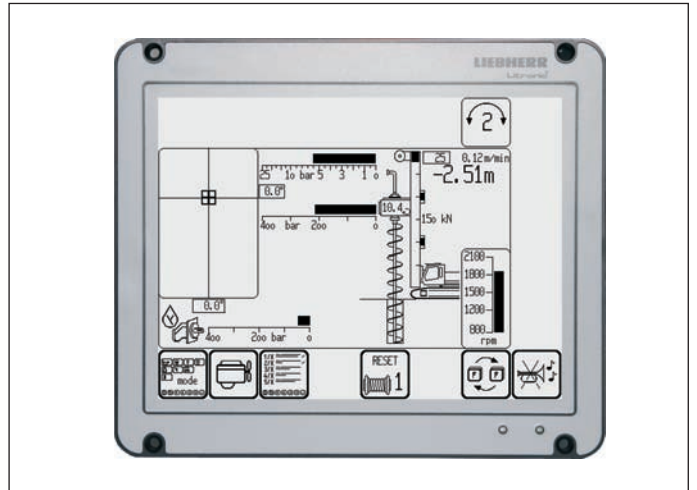
Other Kelly bars available on request.

When using a casing oscillator, value X has to be reduced by 1500 mm.

# Continuous flight auger drilling



Auger with auger guide



Display for continuous flight auger drilling

## Technical data

Drilling drive - torque	1 <sup>st</sup> gear	209 kNm
Drilling drive - speed	1 <sup>st</sup> gear	34 rpm
Drilling drive - torque	2 <sup>nd</sup> gear	109 kNm
Drilling drive - speed	2 <sup>nd</sup> gear	66 rpm

## Performance data

Drilling depth with auger cleaner*	13.0 m
Drilling depth without auger cleaner*	13.6 m
Drilling depth with 6 m Kelly extension, without auger cleaner	19.6 m
Max. pull force (crowd winch and Kelly winch)	660 kN
Max. push force (weight of rotary and auger to be added)	150 kN
Max. drilling diameter**	900 mm

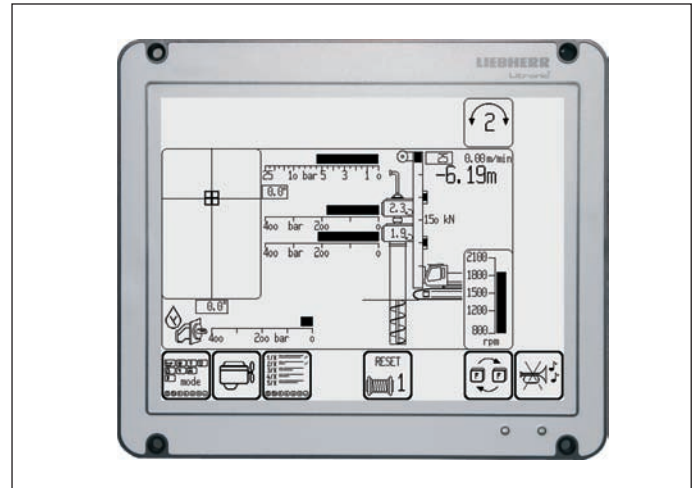
\*) Without Kelly extension

\*\*) Other drilling diameters available on request.



# Double rotary drilling

## Model DBA 80



Display for double rotary drilling

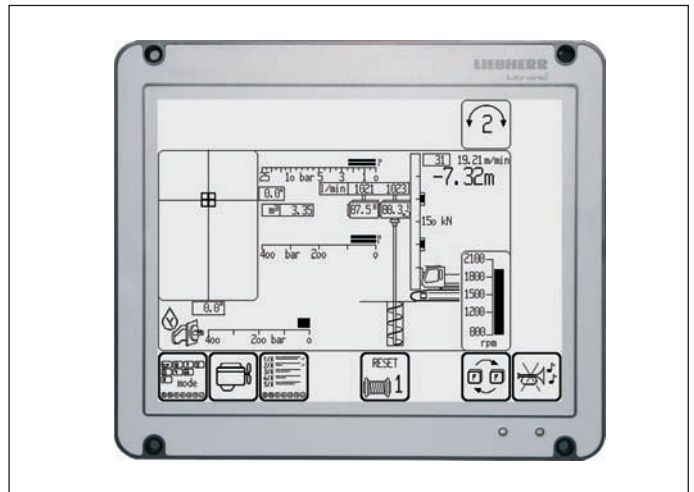
### Technical data

Drilling drive I - torque	1 <sup>st</sup> gear	83 kNm
Drilling drive I - speed	1 <sup>st</sup> gear	14 rpm
Drilling drive I - torque	2 <sup>nd</sup> gear	41 kNm
Drilling drive I - speed	2 <sup>nd</sup> gear	28 rpm
Drilling drive II - torque	1 <sup>st</sup> gear	62 kNm
Drilling drive II - speed	1 <sup>st</sup> gear	19 rpm
Drilling drive II - torque	2 <sup>nd</sup> gear	31 kNm
Drilling drive II - speed	2 <sup>nd</sup> gear	38 rpm
Max. drilling diameter*		620 mm
Max. drilling depth		13.6 m
Max. pull force		500 kN

\*) Other drilling diameters available on request.

# Twin mix equipment

## Model DMA 35



Display for soil mixing

### Technical data

Drilling drive - torque	1 <sup>st</sup> gear	35 kNm
Drilling drive - speed	1 <sup>st</sup> gear	38 rpm
Drilling drive - torque	2 <sup>nd</sup> gear	17.5 kNm
Drilling drive - speed	2 <sup>nd</sup> gear	76 rpm
Max. drilling depth		13.6 m
Max. drilling diameter*		700 mm

\*) Other diameters available on request.

# Technical description



## Engine

Power rating according to ISO 9249, 270 kW (362 hp) at 2000 rpm

Engine type \_\_\_\_\_ Liebherr D 936 L A6

Fuel tank \_\_\_\_\_ 700 l capacity with continuous level indicator and reserve warning

Engine complies with NRMM exhaust certification EPA/CARB Tier 3 and 97/68 EC Stage III A.



## Hydraulic system

The main pumps are operated by a distributor gearbox. Axial piston displacement pumps work in open circuits supplying oil only when needed (flow control on demand). The hydraulic pressure peaks are absorbed by the integrated automatic pressure compensation, which relieves the pump and saves fuel.

Pumps for working tools \_\_\_\_\_ 2x 240 l/min

Separate pump for kinematics \_\_\_\_\_ 137 l/min

Hydraulic oil tank \_\_\_\_\_ 600 l

Max. working pressure \_\_\_\_\_ 350 bar

The cleaning of the hydraulic oils occurs via an electronically monitored pressure and return filter. Any clogging is shown on the monitor in the cab. The use of synthetic environmentally friendly oil is also possible.



## Crawlers

Propulsion through axial piston motor, hydraulically released spring loaded multi-disc brake, maintenance free crawler tracks, hydraulic chain tensioning device.

Drive speed of telescopic undercarriage \_\_\_\_\_ 0 – 1.8 km/h

Track force \_\_\_\_\_ 438 kN

Width of 3-web grousers \_\_\_\_\_ 700 mm

Transport width \_\_\_\_\_ 3000 mm

Option:

Width of 3-web grousers \_\_\_\_\_ 800 mm

Transport width \_\_\_\_\_ 3400 mm



## Swing

Consists of triple-row roller bearing with external teeth and one swing drive, fixed axial piston hydraulic motors, spring loaded and hydraulically released multi-disc holding brake, planetary gearbox and pinion. Selector for 3 speed ranges to increase swing precision. Swing speed from 0 – 3.5 rpm is continuously variable.



## Control

The control system - developed and manufactured by Liebherr - is designed to withstand extreme temperatures and the many heavy-duty construction tasks for which this machine has been designed. Complete machine operating data are displayed on a high resolution monitor. A GSM modem allows for remote inquiry of machine data and error indications. To ensure clarity of the information on display, different levels of data are shown in enlarged lettering and symbols. Control and monitoring of the sensors are also handled by this high technology system. Error indications are automatically displayed on the monitor in clear text. The machine is equipped with proportional control for all movements, which can be carried out simultaneously. Two joysticks are required for operation. Pedal control can be changed to hand control.

Options:

- PDE®: Process data recording
- GSM modem



## Kelly winch with freewheeling

Line pull effective (2<sup>nd</sup> layer) \_\_\_\_\_ 180 kN

Rope diameter \_\_\_\_\_ 28 mm

Line speed \_\_\_\_\_ 0-79 m/min



## Auxiliary winch

Line pull effective (1<sup>st</sup> layer) \_\_\_\_\_ 80 kN

Rope diameter \_\_\_\_\_ 20 mm

Line speed \_\_\_\_\_ 0-71 m/min



## Rope crowd system

Crowd force (push/pull) \_\_\_\_\_ 300/300 kN

Line pull (effective) \_\_\_\_\_ 150 kN

Rope diameter \_\_\_\_\_ 24 mm

Travel of working tool \_\_\_\_\_ 14.5 m

Line speed \_\_\_\_\_ 0-78 m/min

The winches are noted for compact, easily mounted design. Propulsion is via a maintenance-free planetary gearbox in oil bath. Load support by the hydraulic system; additional safety factor by a spring-loaded, multi-disc holding brake. All line pull values are effective values. The efficiency factor of approx. 25% has already been deducted.

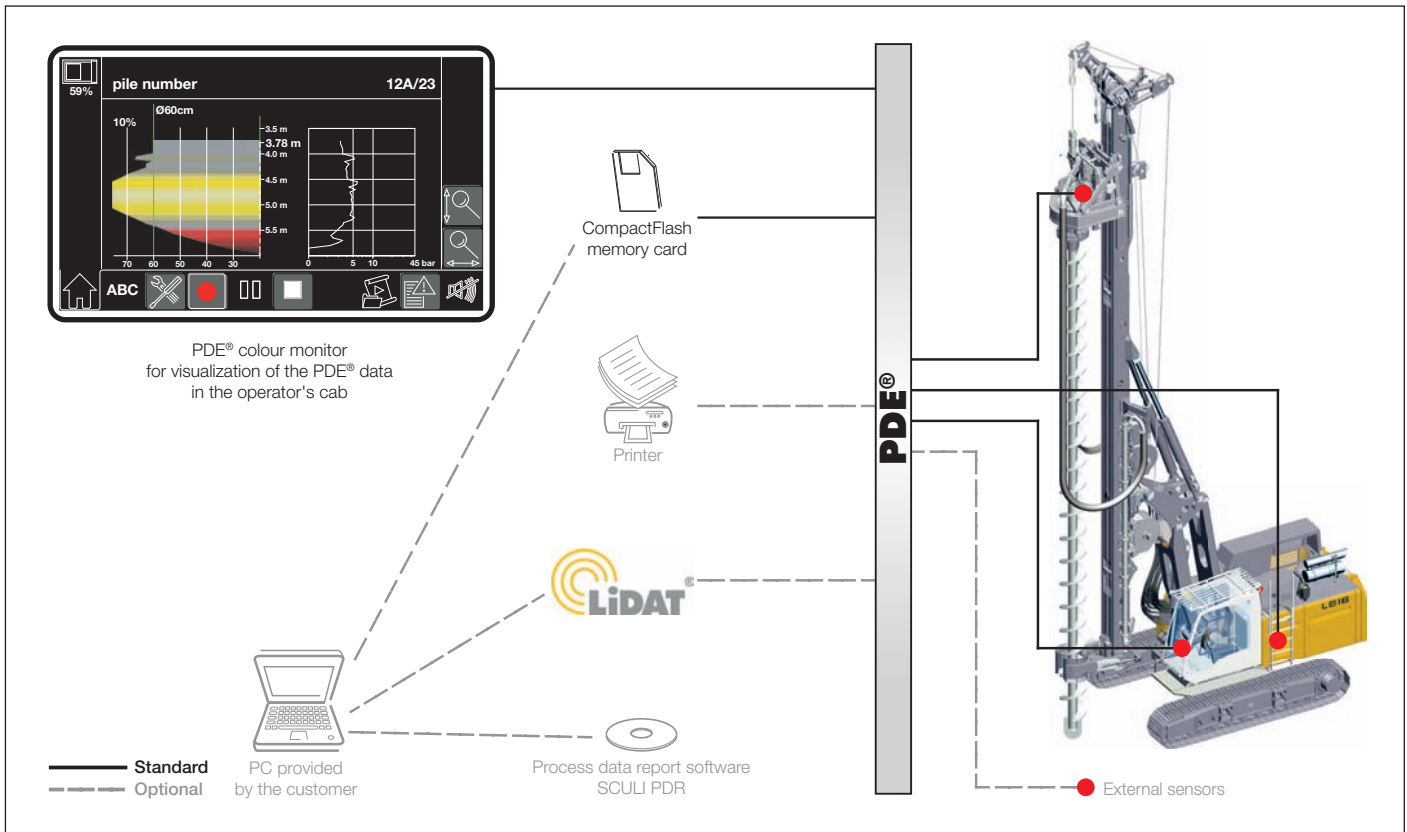


## Noise emission

Noise emissions correspond with 2000/14/EC directive on noise emission by equipment used outdoors.

# Process data recording system - PDE® (additional equipment)

The Liebherr process data recording system PDE® constantly records the relevant process data during the working process.



Depending on the application the recorded and processed data are displayed on the PDE® touchscreen in the operator's cab, e.g. in the form of an online cast-in-place pile.

At the same time the PDE® is operated using this touchscreen. The operator can enter various details (e.g. jobsite name, pile number, etc.) and start and stop recordings. A recording of every start-stop cycle carried out in the PDE® is established on a CompactFlash memory card.

The PDE® can be configured in a number of ways, e.g. for the connection of external sensors, for the generation of a simple protocol as graphic file and/or for a printout directly in the operator's cab.

# Process data reporting - PDR (additional equipment)

Comprehensive data evaluation and generation of reports on a PC is possible using the software SCULI PDR.

**Recordings management** - The recordings generated by the PDE® system can be imported and managed in SCULI PDR. The data can be imported directly from the CompactFlash card or via the Liebherr telematics system LiDAT. Certain recordings, e.g. for a particular day or jobsite, can be found using filter functions.

**Viewing data** - The data in each record is displayed tabularly. Combining several recordings provides results, for example, regarding the total concrete consumption or the average depth. Furthermore, a diagram editor is available for quick analysis.

**Generating reports** - A vital element of SCULI PDR is the report generator, which allows for the generation of individual reports. These can be printed out directly or stored as pdf files. In the process the size, colour, line thickness or even the desired logo can be configured. Moreover, the reports can be displayed in different languages, e.g. in English and in the national language.

