



Wear parts for drilling tools

www.liebherr.com

LIEBHERR

Deep foundation

Contents

General.....	2
Flat teeth and round shank chisels.....	2
Exchangeable blocks.....	4
Weld-on blocks.....	5
Kelly drilling.....	6
Augers.....	6
Drilling buckets.....	7
Core barrels.....	8
Further equipment for Kelly drilling tools.....	9
Continuous flight auger drilling and double rotary drilling.....	10
Drill starters.....	10
Augers.....	11
Connectors.....	11
Casings.....	12
Wear parts for casings (quantity overview).....	12
Wear parts for casings (article nos.).....	13
Single-walled / double-walled cutting shoes with weld-on blocks or exchangeable blocks.....	14

General

Flat teeth and round shank chisels

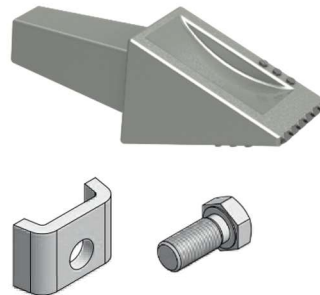
Flat teeth and round shank chisels loosen the soil or rock during drilling. Different types of flat teeth and round shank chisels are used depending on the prevailing ground conditions and often have to be exchanged several times during drilling, due to heterogeneous layering. As a rule, round shank chisels can be used up to a material hardness (uniaxial compressive strength) of up to 100 MPa. However, further characteristics, for example, mineral content and grain size, toughness, joint systems, porosity, and degree of weathering play an important role in the applicability.

Generally, the following distinctions are made:

- long and wide carbide core for a longer service life of the round shank chisel
- small carbide core diameter results in a smaller sharp tip (thereby greater punctual breaking function)
- it is advisable to use round shank chisels and holders with additional wear protection in abrasive soil conditions

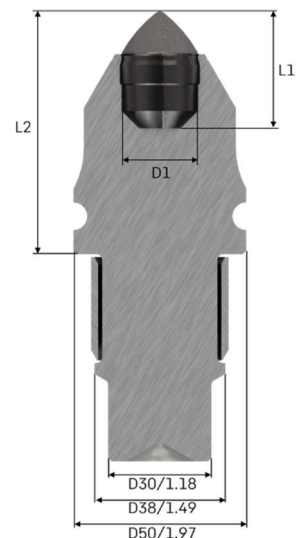
Flat tooth shank systems – D 54.1/37.5 mm - 1.48 / 2.13"

Article no.	Type	Pieces per box
13199447	FT317	2
13645449	Bolt	1
13645450	Clamping bracket	1



Round shank chisel shank systems – D 38/30 mm - 1.5 / 1.18"

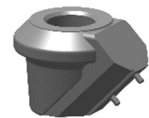
Article no.	Type	Pieces per box	D1 mm	L1 mm	L2 mm
13196394	RSC140	15	17.4	24.0	65.0
13199465	RSC28	15	17.4	28.5	65.0
13196395	RSC80P*	15	17.4	28.5	70.5
13196396	RSC83	15	19.0	25.0	65.0
13199445	RSC40	15	19.0	29.0	65.0
13196397	RSC105	15	22.0	27.0	70.5
13196398	RSC85	15	22.0	30.0	70.5
13199457	RSC47	15	22.0	34.0	70.5
11932127	RSC47P*	15	22.0	34.0	70.5



*P = chisel has wear protection

Chisel holders

Article no.	Type	Pieces per box	Description
13199444	WH73	3	for flat teeth D 54.1/37.5 mm - 1.48 / 2.13"
13199469	WH163	6	holder with wear protection for round shank chisels D 38/30 mm - 1.5 / 1.18"
13199446	WH38	10	for round shank chisels D 38/30 mm - 1.5 / 1.18"
10523189	WH320	1	for round shank chisels D 38/30 mm - 1.5 / 1.18"
13643479	WH163P	1	holder with 5 carbide pins for round shank chisels D 38/30 mm - 1.5 / 1.18"



Exchangeable blocks

Exchangeable blocks have the advantage that they can be quickly replaced on the jobsite without altering the cutting geometry of the cutting shoe. The overcut can be altered using different types of teeth.

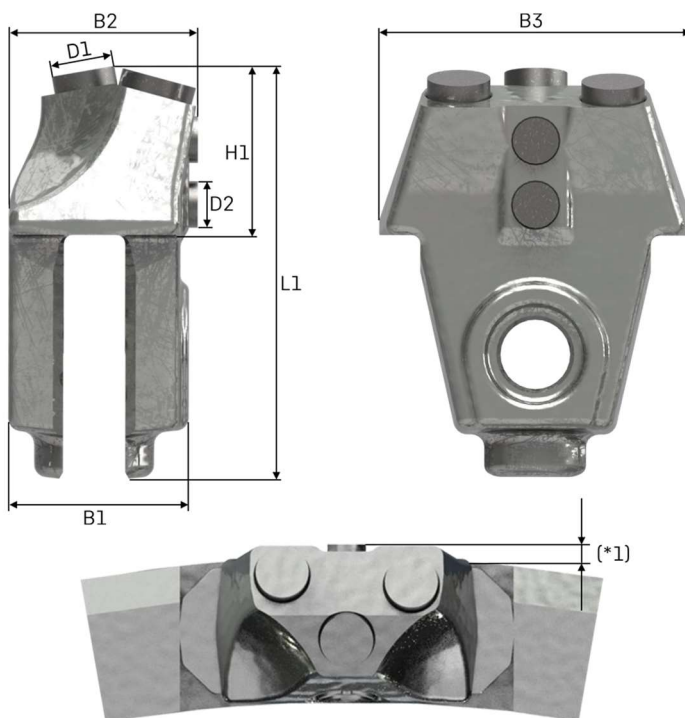
Casing thickness – 40 mm / 1.58"

Article no.	Type	Pieces per box	B1 mm	B2 mm	B3 mm	D1 mm	D2 mm	H1 mm	L1 mm	(*1) Overcut outside in mm
13199472	QCB63	10	40.0	44.0	73.0	15.0	11.0	39.0	95.5	4.0
13199471	QCB65	10	42.5	46.5	73.0	18.0	11.0	39.0	95.6	6.5
11999541	QCB66	10	40.0	44.0	73.0	11.0	11.0	41.0	97.5	4.0
11999542	QCB67	10	40.0	44.0	73.5	15.0	11.0	50.0	106.5	4.0

Mounting pins are included

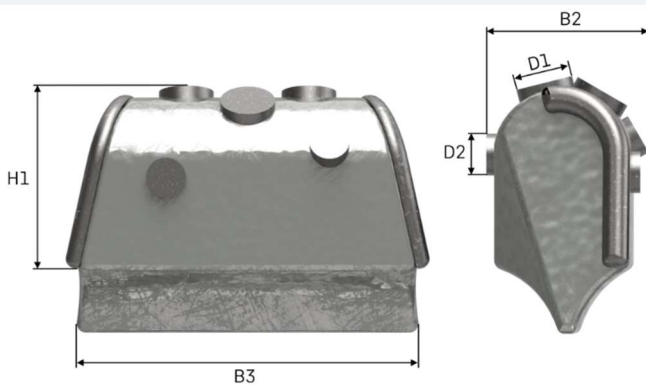
Block holder

Article no.	Type	Pieces per box
13199468	BH07	10



Weld-on blocks

Article no.	Type	Pieces per box	B2 mm	B3 mm	D1 mm	D2 mm	H1 mm	Radius mm
13199450	WB01	25	35.0	88.5	15.0	11.0	48.5	R515
13199463	WB12	50	17.0	54.0	11.0	11.0	36.0	R150
13199466	WB13	50	23.0	55.0	11.0	11.0	44.4	R158
13199456	WB24	15	42.0	97.0	15.0	11.0	66.0	R800
13199464	WB10	50	26.0	52.5	9.1	9.1	48.5	-



Mounting equipment

13622618 Bell-shaped separator M16 RSC – D 38/30 mm -1.5 / 1.18"
 954213803 Slide hammer M10-M20



11922543 BZ18 for RSC series
 11922393 BZ12 for RSC series



• BZ18 • BZ12

13111960 Z30 for QCB series spring pin puller for D 16 mm



• BZ30

Kelly drilling

Augers

Single/double-start auger with flat teeth and pilot bit

Flat tooth	13199447	FT 317
Tooth adaptor	13199444	WH73
Fishtail pilot bit	10500885	P-FP-2
Carbide wear plate	11936471	

AU-FC / AU-FC2



Option

Rock pilot bit triple-start	10576172	P-RSC3-RSC40
Round shank chisel on pilot bit	13199445	RSC40

Single/double-start rock auger with round shank chisels, calibration chisels and pilot bit

Round shank chisel	13199457	RSC47
Pilot bit with round shank chisels	11239418	P-RSC4-RSC40
Calibration chisel holder	13199469	WH163P
Round shank chisel on pilot bit	13199445	RSC40
Carbide wear plate	11936471	
Cutter bar upon request		

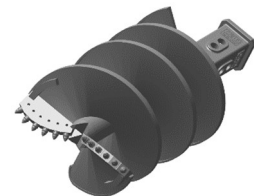
AU-RSC / AU-RSC2



Double-start rock auger with round shank chisels, and calibration chisels, without pilot bit

Round shank chisel	13199457	RSC47
Carbide wear plate	11936471	
Calibration chisel holder	13643479	WH163P
Cutter bar upon request		

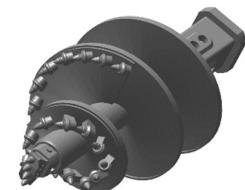
AU-RSCi



Progressive rock auger with round shank chisels and pilot bit, heavy-duty design

Round shank chisel	13199445	RSC40
Round shank chisel holder	10523189	WH320
Pilot bit with round shank chisels	10500841	P-RSC4-RSC40
Round shank chisel on pilot bit	13199445	RSC40
Carbide wear plate	10523544	
Carbide wear plate	11275772	

AU-P



Progressive rock auger with round shank chisels and pilot bit, light design

Round shank chisel	13199457	RSC47
Round shank chisel holder	13643479	WH163P
Pilot bit with round shank chisels	11239418	P-RSC4-RSC40
Round shank chisel on pilot bit	13199445	RSC40
Carbide wear plate	11936471	
Cutter bar upon request		

AU-PL



Drilling buckets

Single-start drilling bucket with flat teeth and pilot bit

Tooth holder	13199444	WH73
Flat tooth	13199447	FT317
Fishtail pilot bit	10500885	P-FP-2

Option

Rock pilot bit triple-start	10576172	P-RSC3-RSC40
Round shank chisel on pilot bit	13199445	RSC40

BU-FC



Double-start drilling bucket with flat teeth and pilot bit

Tooth holder	13199444	WH73
Flat tooth	13199447	FT317
Fishtail pilot bit	10500885	P-FP-2
Carbide wear plate	11936471	

Option

Rock pilot bit triple-start	10576172	P-RSC3-RSC40
Round shank chisel on pilot bit	13199445	RSC40

BU-FC2



Single-start rock drilling bucket with round shank chisels, calibration chisels and pilot bit

Calibration chisel holder	13199446	WH38
Round shank chisel	13199457	RSC47
Pilot bit with round shank chisels	11239418	P-RSC4-RSC40
Round shank chisel on pilot bit	13199445	RSC40
Carbide wear plate	11936471	
Cutter bar upon request		

BU-RSC



Double-start drilling bucket with round shank chisels, calibration chisels and pilot bit

Calibration chisel holder	13199446	WH38
Round shank chisel	13199457	RSC47
Pilot bit with round shank chisels	11239418	P-RSC4-RSC40
Round shank chisel on pilot bit	13199445	RSC40
Carbide wear plate	11936471	
Cutter bar upon request		

BU-RSC2



Core barrels

Core barrel with weld-on blocks

Weld-on blocks	13199456	WB24
----------------	----------	------

CB-WB



Core barrel with round shank chisels

Round shank chisel holder	13643479	WH163P
Round shank chisel	13199457	RSC47

CB-RSC



Core barrel with roller bits

Roller bit type B, 2 rows	10569506
Carbide wear plate	10523544

Option

Roller bit type A, 3 rows	10569505
---------------------------	----------

CB-RB



Core barrel with round shank chisels, calibration chisels and pilot bit

Cross cutter design

Calibration chisel holder	13643479	WH163P
Round shank chisel	13199457	RSC47
Pilot bit with round shank chisels	11239418	P-RSC4-RSC40
Round shank chisel on pilot bit	13199445	RSC40
Carbide wear plate	11936471	
Cutter bar upon request		

CB-CC



Further equipment for Kelly drilling tools

Kelly box suitable for all Kelly drilling tools up to 350 kNm

Kellybox 200	13645484
Locking pins	10522818
Safety pins	10522826



Kelly box suitable for all Kelly drilling tools up to 480 kNm

Kellybox 200	13646159
Locking pins	10522818
Safety pins	10522826

Double-start pilot bit SQ 100

Fishtail pilot bit	10500885	P-FP-2
--------------------	----------	--------



P-FP-2

Triple-start pilot bit SQ 100

Rock pilot bit triple-start	10576172	P-RSC3-RSC40
Round shank chisel on pilot bit	13199445	RSC40
Holder	13199446	WH38



P-RSC3-RSC40

Four-start pilot bit SQ 100

Pilot bit with round shank chisels	10500841	P-RSC4-RSC40
Round shank chisel on pilot bit	13199445	RSC40



P-RSC3-RSC40

Continuous flight auger drilling and double rotary drilling

Drill starters

Double-start with centre pilot bit
CFA-CCFA-AU-FC2



Single-start with centre pilot bit
CCFA-AU-RSC



Double-start with centre pilot bit
CFA-CCFA-AU-RSC2



Double-start without centre pilot bit
CFA-CCFA-AU-RSCi



Starter fittings for continuous flight auger drilling (CFA)

(values in mm)

CFA-AU-RSC2	D450	D500	D550	D600	D650	D700	D750	D800	D900	D1000	D1200
RSC40 quantity	10	11	12	13	13	14	15	16	18	19	23
CFA-AU-RSCi	D450	D500	D550	D600	D650	D700	D750	D800	D900	D1000	D1200
RSC40 quantity	7	7	8	9	10	11	12	12	14	16	19
CFA-AU-FC2	D450	D500	D550	D600	D650	D700	D750	D800	D900	D1000	D1200
RSC40 quantity	4	4	4	4	4	4	4	4	4	4	4
FT317 quantity	2	2	4	4	4	4	6	6	6	8	10

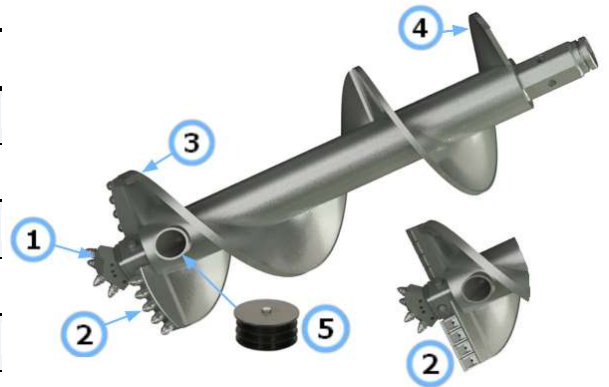
Starter fittings for double rotary drilling (CCFA)

(values in mm)

CCFA-AU-RSC2	D510	D640	D690	D770	D890
RSC40 quantity	12	14	16	16	18
CCFA-AU-RSCi	D510	D640	D690	D770	D890
RSC40 quantity	8	12	14	14	16
CCFA-AU-RSC	D510	D640	D690	D770	D890
RSC40 quantity	8	9	10	10	11
CCFA-AU-FC2	D510	D640	D690	D770	D890
RSC40 quantity	4	4	4	4	4
FT317 quantity	4	4	6	6	8

Augers

Position	Article no.	Description/Type
Pos. 1	11239418	P-RSC4-RSC40
Pos. 2	13199445	RSC40
Pos. 2	13199447	FT317 (AU-FC/FC2)
Pos. 3	11936471	Carbide wear plate
Pos. 4	11969501	Carbide wear plate
Pos. 5	13123100	Single-use cover



Connectors

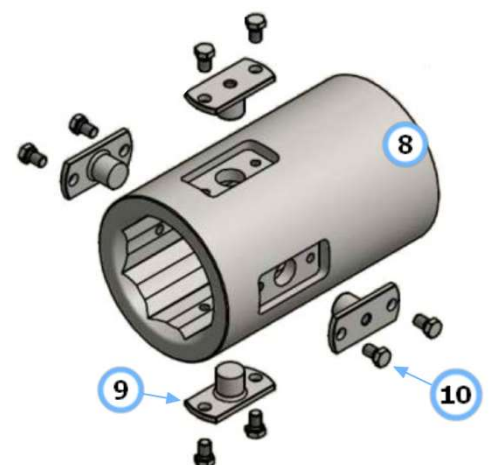
Pins

Position	Article no.	Description/Type
Pos. 6	11981811	octagonal/SW175
Pos. 7	13138823	O-ring/SW175 1X
Pos. 6	11981810	octagonal/SW250
Pos. 7	13138821	O-ring/SW250 2X



Sleeves

Position	Article no.	Description/Type
Pos. 8	11987085	octagonal/SW175
Pos. 9	13138828	locking piece/SW175
Pos. 8	11987909	octagonal/SW250
Pos. 9	13138826	locking piece/SW250
Pos. 10	13138836	hexagonal bolt

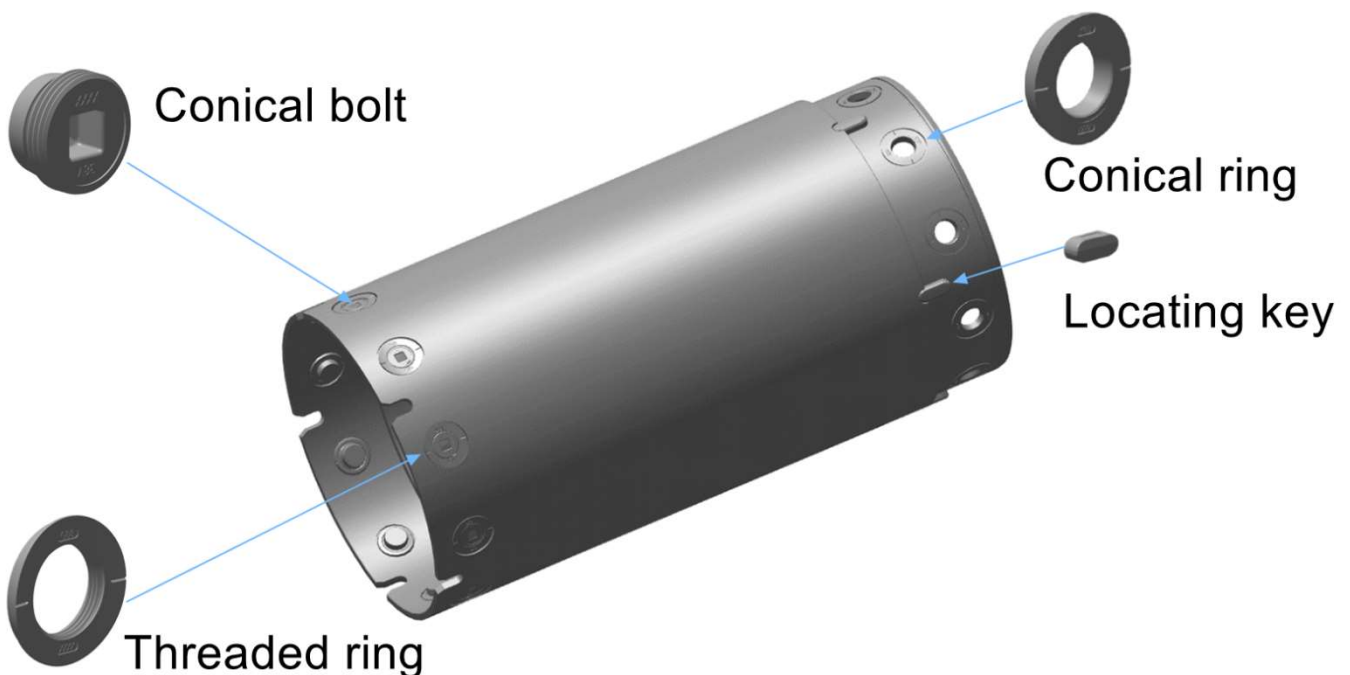


Casings

Wear parts for casings (quantity overview)

Coupling 40 mm / 45 mm

Casing diameter outer mm	620	750	800	880	1000	1080	1180	1300	1500	1800	2000
Casing diameter inner mm	540	670	720	800	920	1000	1100	1220	1420	1720	1910
Cutting diameter tool mm	520	650	700	780	900	980	1080	1200	1390	1680	1850
Conical ring type	K64	K88	K88	K88	K88	K118	K118	K118	K150	K150	K200
No. of conical rings	8	10	10	10	10	12	12	12	18	20	20
Threaded ring type	G64	G88	G88	G88	G88	G118	G118	G118	G150	G150	G200
No. of threaded rings	8	10	10	10	10	12	12	12	18	20	20
Bolt type	38S	38S	38S	38S	38S	38S	38S	38S	38S	38S	43S
No. of bolts	8	10	10	10	10	12	12	12	18	20	20
No. of locating keys BRV32	4	4	4	4	4	4	4	4	6	5	5

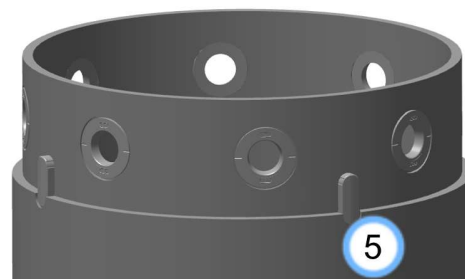
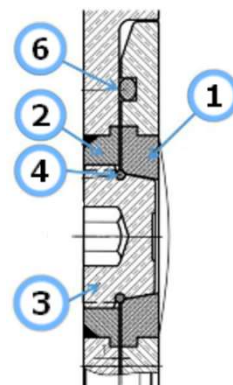


Wear parts for casings (article nos.)

Conical ring type Pos. 1	K64	K88	K118	K150	K200
Article no.	13146322	11305823	10588448	11303639	11271898
Threaded ring type Pos. 2	G64	G88	G118	G150	G200
Article no.	11250680	11305822	10588450	11303640	11271899
Bolt type Pos. 3	38S	38S	38S	38S	43S
Article no.	10548411	10548411	10548411	10548411	11271900
O-ring bolt Pos. 4	38S	38S	38S	38S	43S
Article no.	10548412	10548412	10548412	10548412	10548412
Locating key Pos. 5	BRV32	BRV32	BRV32	BRV32	BRV32
Article no.	10500989	10500989	10500989	10500989	10500989

Seals per casing diameter (Pos 6)

Diameter outer/inner mm	Article no.
620/540	10599613
750/670	13146326
800/720	13146327
880/800	13146328
1000/920	13146329
1080/1000	13606655
1180/1100	11305826
1300/1220	11932081
1500/1420	10548413
1800/1720	13606656
2000/1910	13606661



Single-walled / double-walled cutting shoes with weld-on blocks or exchangeable blocks

Coupling 40 mm / 45 mm

Casing diameter outer mm	620	750	800	880	1000	1080	1180	1300	1500	1800	2000
Casing diameter inner mm	540	670	720	800	920	1000	1100	1220	1420	1720	1910
Weld-on blocks	WB24	WB24	WB24	WB24	WB24	WB24	WB24	WB24	WB24	WB24	WB24
Weld-on blocks Quantity	9	11	12	13	15	16	18	20	23	28	31
Exchangeable blocks	QCB63	QCB63	QCB63	QCB63	QCB63	QCB63	QCB63	QCB63	QCB63	QCB63	QCB63
No. of exchangeable blocks	9	11	12	13	15	16	18	20	23	28	31

