

EN

Liebherr Transform

# Kelly auger cleaner

Unleash the full potential.  
[www.liebherr.com](http://www.liebherr.com)

## LIEBHERR

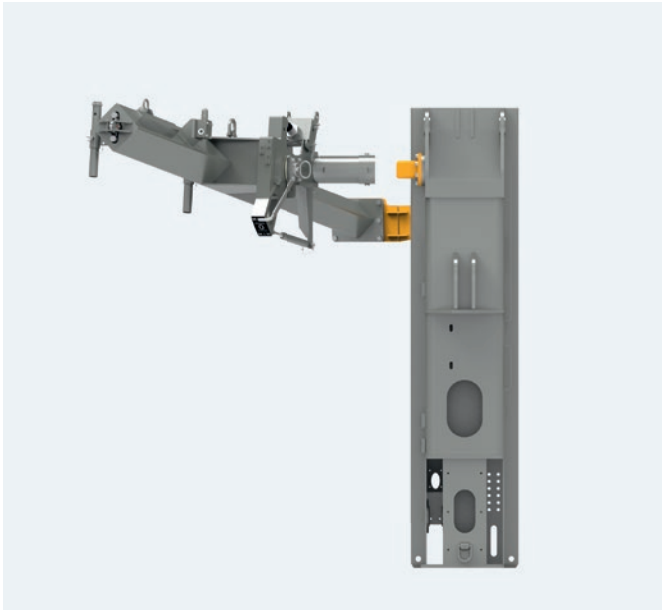
Liebherr-Werk Nenzing GmbH  
Customer service



# Kelly auger cleaner

The Kelly auger cleaner enables effective cleaning of the drilling tool and at the same time makes a valuable contribution to safety on the jobsite as well as protection of the environment and machine.

It is suitable for all Liebherr drilling rigs in the LB series and is controlled via the joystick. The operator is supported during the cleaning process by a semi-automatic control for the necessary rotation and height movement.



Example of exchangeable scraper plate on the auger cleaner

## **Modular design: simple to install, simple to use**

Three different sizes of auger cleaner are available for drilling axes of 900 mm, 1100 mm and 1300/1400 mm, depending on the machine. They are fitted to the leader via a uniform socket and are so interchangeable between machines.

Furthermore, the respective scraper plate on the auger cleaner is easily exchanged to suit the size of drilling tool in use. In a few easy steps the auger cleaner can be folded upwards for easy transportation.



# Good for the environment, good for your machine

Liebherr's Kelly auger cleaner makes a valuable contribution to safety and the environment in and around the jobsite:

- extremely quiet cleaning of the auger in line with requirements for noise reduction in urban areas
- higher level of safety on the jobsite as drilling cuttings fall around the auger instead of being shaken and scattered
- longer service life for equipment such as Kelly bar, rotary drive and hydraulic motor since the jerky movements of shaking the auger free are eliminated
- especially effective when drilling in cohesive soils which "stick" to the Kelly auger

The auger cleaner is folded upwards in just a few steps for easy transport.



greener



smarter

# Your reliable service partner

---

The combination of customer orientation, quality, innovation and dedication ensures a high level of service for you. With our well-organized worldwide network of experienced engineers and technical advisors, all trained by Liebherr, we provide shortest response times and maximum productivity.