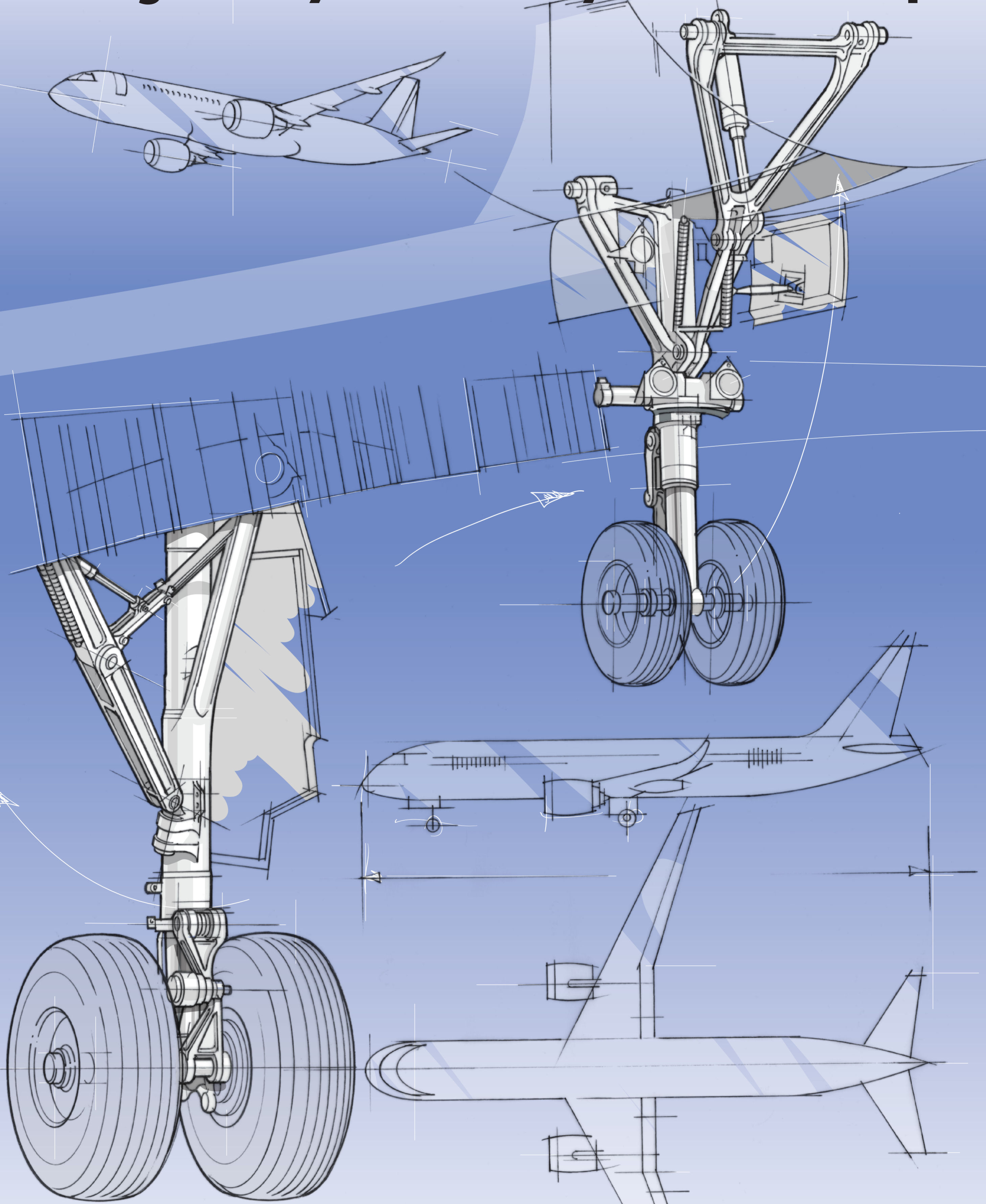


On Board COMAC C919: Landing Gear System made by Liebherr-Aerospace



LIEBHERR