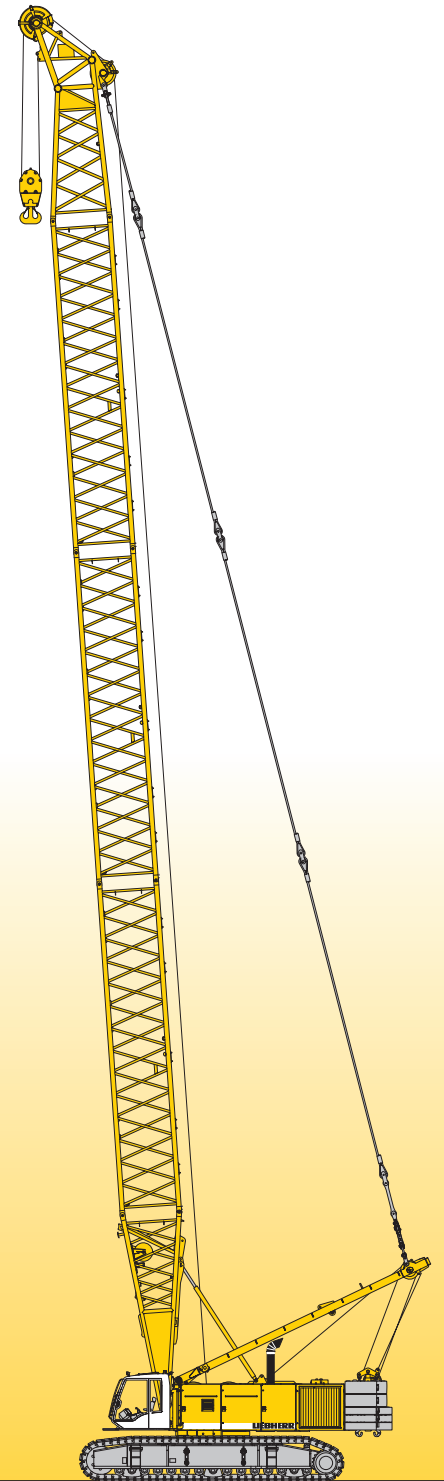


**Technical data**  
**Hydraulic crawler crane**

**HS 895 HD**  
Litronic®

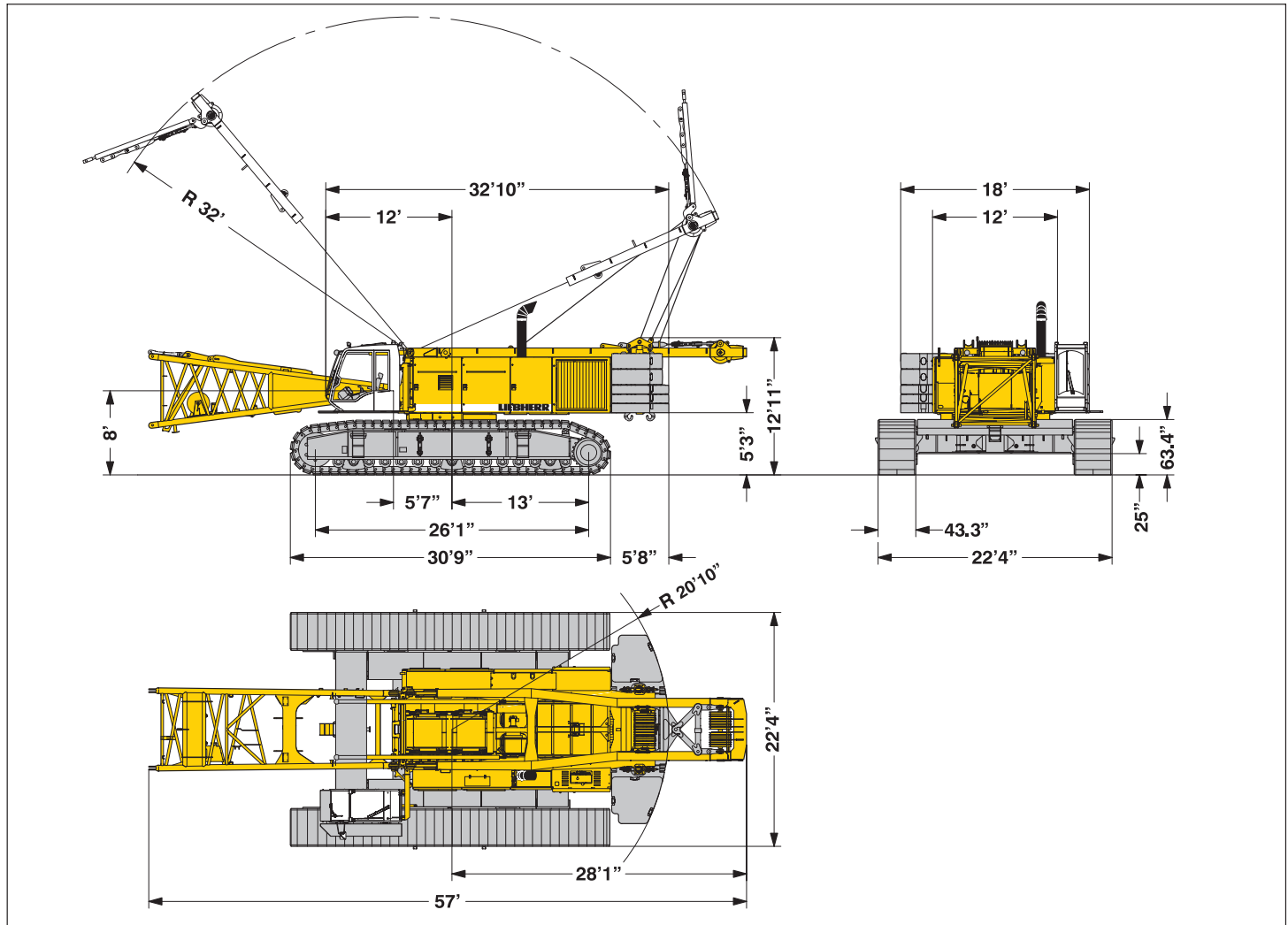
**Complies with ANSI B 30.5**



**LIEBHERR**

# Dimensions

## Basic machine with undercarriage



### Operating weight

The operating weight includes the basic machine with HD undercarriage, 2 main winches 66,200 lbs including wire ropes (492 ft) and 66 ft boom, consisting of A-frame, boom foot (23 ft), boom head (23 ft), boom section (20 ft), 121,500 lbs basic counterweight, 43.3 inch flat track shoes and 110,200 lbs hook block.

Total weight \_\_\_\_\_ approx. 373,000 lbs

### Ground pressure

Ground bearing pressure \_\_\_\_\_ 13,8 PSI

### Equipment

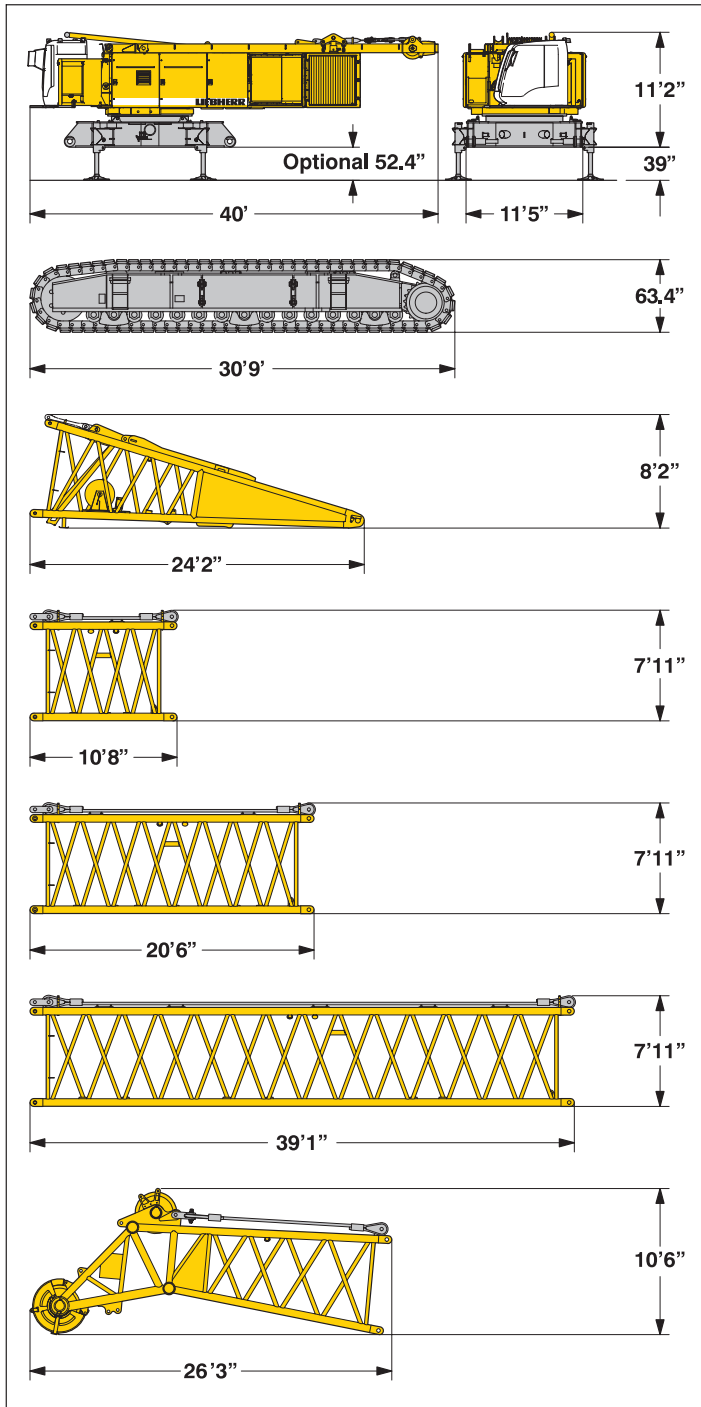
Main boom (No. 2220.xx) max. length \_\_\_\_\_ 276 ft  
 Fixed jib (No. 0806.xx) \_\_\_\_\_ 36 ft – 105 ft  
 Modular designed equipment for operation as crane, with dragline or clamshell.  
 For dragline operation, a rotating fairlead is fitted into the boom foot. This minimizes the rope angle to drum, which results in lower rope wear.

### Remarks

1. The lifting capacities stated are valid for lifting operation only (corresponds with crane classification according to F.E.M. 1.001, crane group A1)
2. Crane standing on firm, horizontal ground.
3. The weight of the lifting device (hoisting ropes, hook block, shackle etc.) must be deducted from the gross lifting capacity to obtain a net lifting value.
4. Additional equipment on boom (e.g. boom walkways, auxiliary jib) must be deducted to get the net lifting capacity.
5. For max. wind speed please refer to lift chart in operator's cab or manual.
6. Working radii are measured from centre of swing and under load.
7. The lifting capacities are valid for 360 degrees of swing.
8. Calculation of stability under load is based on DIN 15019 / part 2 / chart 1 and ISO 4305 Table 1 + 2, tipping angle 4°.
9. The structures are calculated according to F.E.M. 1.001 – 1998 (EN 13001-2/ 2004).
10. ANSI B 30.5

# Transport dimensions and weights

## Basic machine and boom (No. 2220.xx)



\*) Including pendant ropes

### Basic machine

with A-frame, 2x 66,200 lbs winches including wire ropes (492 ft), without crawlers, boom foot, basic and carbody counterweight.

Width	11'6"
Weight in lbs	121,250

### Crawler

**2x**

Flat track shoes	43.3"
Width	47"
Weight in lbs	55,120

### Boom foot (No. 2220.xx)

Width	7'11"
Weight in lbs*	12,400

### Boom section (No. 2220.xx)

**10 ft**

Width	7'11"
Weight in lbs*	2,500

### Boom section (No. 2220.xx)

**20 ft**

Width	7'11"
Weight in lbs*	4,150

### Boom section (No. 2220.xx)

**38 ft**

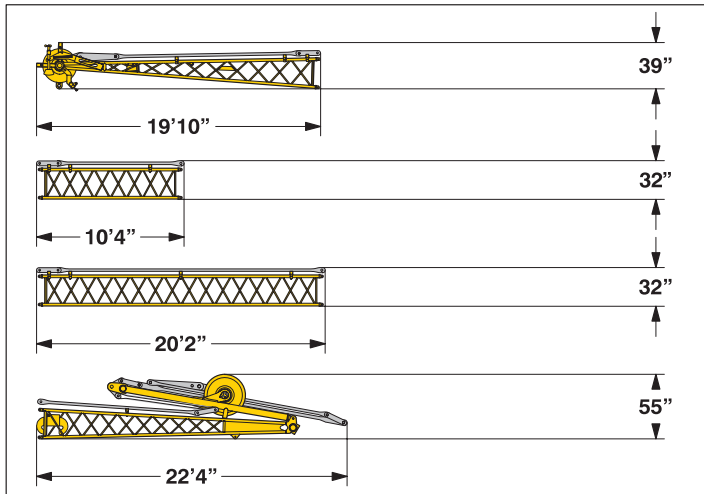
Width	7'11"
Weight in lbs*	6,400

### Boom head (No. 2220.xx)

Width	7'11"
Weight in lbs*	10,350

# Transport dimensions

## Fixed jib (No. 0806.xx)



\*) Including pendant straps

### Fixed jib head (No. 0806.xx)

Width	45"
Weight in lbs*	980

### Fixed jib section (No. 0806.xx) **10 ft**

Width	37"
Weight in lbs*	245

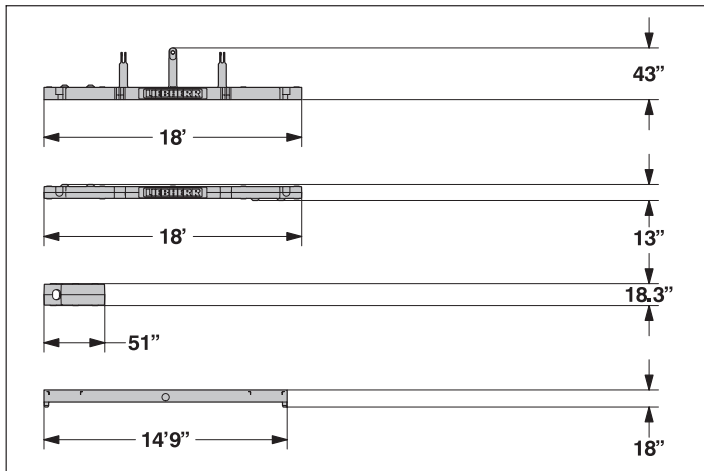
### Fixed jib section (No. 0806.xx) **20 ft**

Width	37"
Weight in lbs*	430

### Fixed jib foot with A-frame (No. 0806.xx)

Width	59"
Weight in lbs*	2050

## Counterweight



### Counterweight **1x**

Width	5'5"
Weight in lbs	29,300

### Counterweight **2x**

Width	5'5"
Weight in lbs	23,400

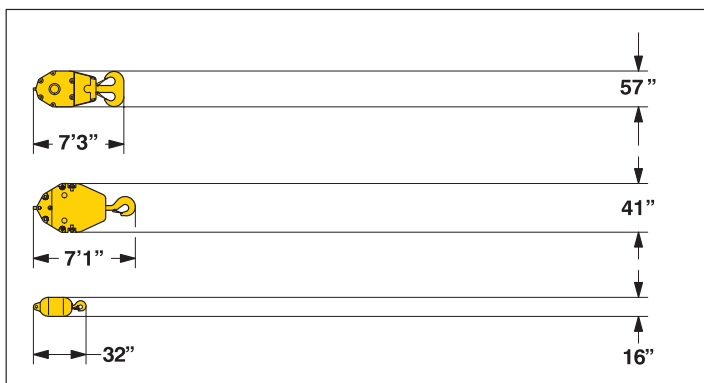
### Counterweight **4x** optional **8x**

Width	55"
Weight in lbs	11,250

### Carbody counterweight optional **2x**

Width	35"
Weight in lbs	29,800

## Hooks



### 264,600 lbs hook block - 2 sheaves

Width	13"
Weight in lbs	3,100

### 132,300 lbs hook block - 1 sheave

Width	12"
Weight in lbs	2,150

### 66,150 lbs single hook

Width	16"
Weight in lbs	880

# Technical description



## Engine

Power rating according to ISO 3046 IFN, 670 kW (898 hp) at 1900 rpm  
Engine type \_\_\_\_\_ MAN D 2842 LE  
Fuel tank \_\_\_\_\_ 264 gal capacity with continuous level indicator  
\_\_\_\_\_ and reserve warning  
Engine complies with NRMM exhaust certification EPA / CARB Tier 2.



## Hydraulic system

The main pumps are operated by a distributor gearbox. Axial piston displacement pumps work in closed and open circuits supplying oil only when needed (flow control on demand). To minimize peak pressure an automatically working pressure cut off is integrated. This spares pumps and saves energy. The hydraulic oil is cleaned through electronically controlled pressure and return filters. Possible contamination is signaled in the cabin. The use of synthetic environmentally friendly oils is possible. Ready made hydraulic retrofit kits are available to customize requirements e.g. powering casing oscillators, VM-vibrators, hydraulic grabs, hanging leads etc.  
Working pressure \_\_\_\_\_ max. 5076 PSI  
Oil tank capacity \_\_\_\_\_ 290 gal



## Boom winch

Line pull \_\_\_\_\_ max. 33,100 lbs  
Rope diameter \_\_\_\_\_ 24 mm  
Boom up \_\_\_\_\_ 137 sec. from 15° to 86°



## Swing

Consists of rollerbearing with external teeth for lower tooth flank pressure, fixed axial piston hydraulic motor, spring loaded and hydraulically released multi-disc holding brake, planetary gearbox and pinion.  
Swing speed from 0 – 3.6 rpm continuously variable, selector for 3 speed ranges to increase swing precision.  
Standard:  
Second swing drive  
Optional:  
Third swing drive



## Noise emission

Noise emissions correspond with 2000/14/EC directive on noise emission by equipment used outdoors.



## Main winches

Winch options:  
Line pull (nom. load) \_\_\_\_\_ 66,200 lbs  
Rope diameter \_\_\_\_\_ 36 mm  
Drum diameter \_\_\_\_\_ 32.7"  
Rope speed (ft/min) \_\_\_\_\_ 0–252  
With change gear box (ft/min) \_\_\_\_\_ 0–515  
Rope capacity 1st layer \_\_\_\_\_ 180 ft

The winches are outstanding in their compact design and easy assembly. Clutch and braking functions on the free fall system are provided by a compact designed, low wear and maintenance free multi-disc brake. The drag and hoist winches use pressure controlled, variable flow hydraulic motors. This system features sensors that automatically adjust oil flow to provide max. winch speed depending on load.

Option:  
Crane winch (main winch) – 33,100 lbs with multi-disc holding brake  
Auxiliary winch \_\_\_\_\_ 15,500 lbs in boom foot  
Tagline winch \_\_\_\_\_ 15,500 lbs with free fall  
\_\_\_\_\_ 6,600 lbs with free fall



## Crawlers

Propulsion through axial piston motor, hydraulically released spring loaded multi-disc brake, maintenance free crawler tracks, hydraulic chain tensioning device.

Flat track shoes \_\_\_\_\_ 43.3 inch  
Drive speed \_\_\_\_\_ 0 – 0.8 mph

Option:  
● 2 speed hydraulic motor for higher travel speed  
● Self assembly system, jack up system



## Control

The control system – developed and manufactured by Liebherr – is designed to withstand extreme temperature changes and the rough heavy duty tasks common in the construction industry. Complete machine operating data are shown on a high resolution display. The crane is equipped with proportional control for all movements, which can be carried out simultaneously.

Dragline operation: A special "Interlock" control system is an option available. It is designed for power lifting of the dragline bucket without using the drag winch brake.

An additional option is the "Redundant Control System", which allows restricted operation of the machine in the event of a failure on the electronic base control or its sensors.

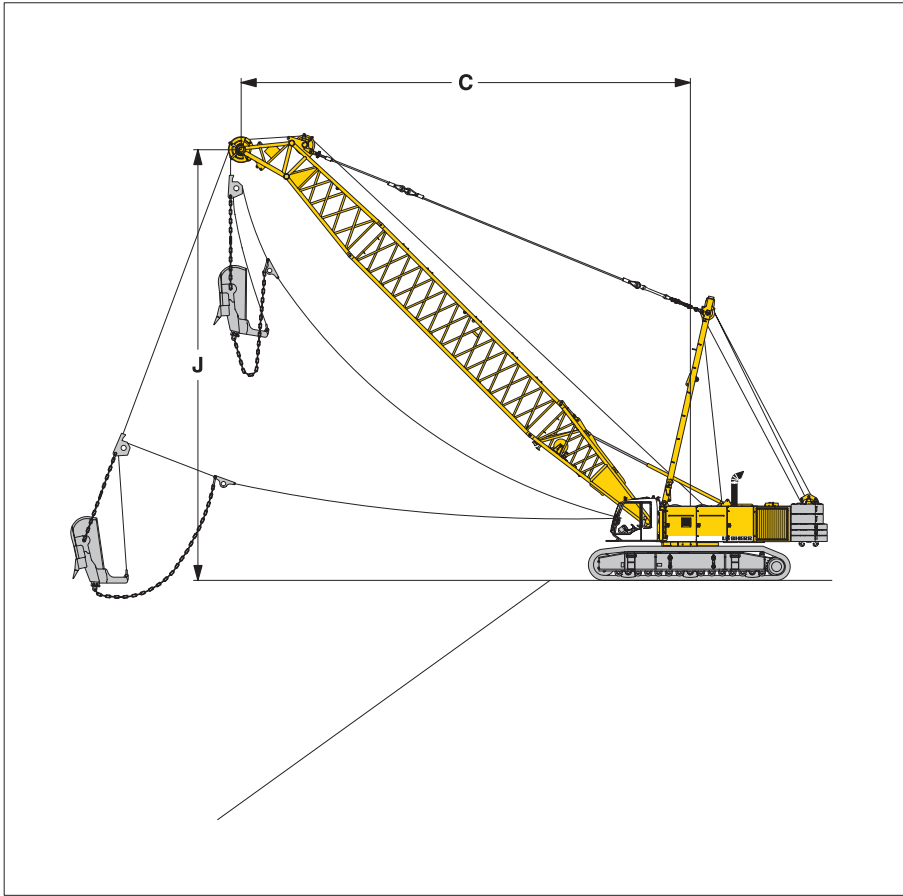
On request, Liebherr also offers special custom designed control systems for free fall winches.

Operation: Left joy stick for boom winch and swing, right two directional levers for winch I and II. Crawler control is actuated with the two central foot pedals. Additionally, hand levers can be attached to the pedals.

Options:  
● Special demolition control system  
● MDE: Machine data recording  
● PDE: Process data recording  
● GSM modem

# Dragline equipment

## 121,500 lbs counterweight



### Working diagram

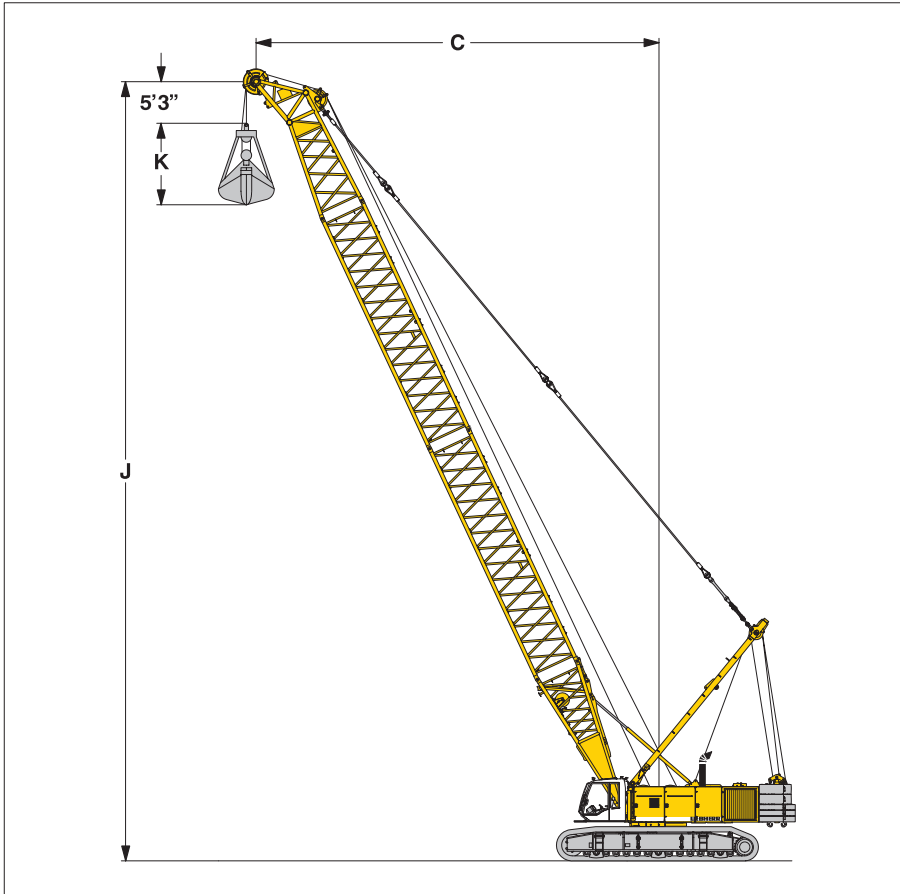
C = Radius / dumping radius  
 J = Height of boom head sheave centre above ground level

Capacities in 1000 lbs for boom lengths (84 ft – 181 ft)										counterweight 121,500 lbs									
$\alpha$	84 ft			104 ft			123 ft			142 ft			161 ft			181 ft			
	C ft	J ft	lbs	C ft	J ft	lbs	C ft	J ft	lbs	C ft	J ft	lbs	C ft	J ft	lbs	C ft	J ft	lbs	
45	69.2	64.6	64,4	83.0	78.7	49,4	96.1	91.9	39,9	110.2	106.0	31,5	123.4	119.1	25,6	137.1	132.9	20,3	
40	73.8	59.7	58,6	88.9	72.2	44,7	103.3	84.3	35,9	118.4	96.8	28,2	132.5	108.9	22,5	147.6	121.7	17,2	
35	78.1	54.1	54,2	94.2	65.3	41,2	109.6	76.1	32,6	125.7	87.3	25,6	141.1	98.1	20,3	157.2	109.3	15,0	
30	81.7	48.2	50,7	98.7	57.1	38,4	114.8	67.3	30,2	131.9	77.1	23,4	149.9	86.6	18,3	165.4	96.5	13,2	
25	84.9	42.0	46,9	102.6	50.2	35,7	119.7	58.1	27,6	137.5	66.3	21,2	154.5	74.1	16,1	172.2	82.7	11,5	

Max. capacities in 1000 lbs do not exceed 75% of tipping load.

# Clamshell equipment

## 121,500 lbs counterweight



### Working diagram

- C = Radius / dumping radius
- J = Height of boom head sheave centre above ground level
- K = Length of clamshell (depending on type and capacity of bucket)

Capacities in 1000 lbs for boom lengths (84 ft – 181 ft) counterweight 121,500 lbs

α	84 ft			104 ft			123 ft			142 ft			161 ft			181 ft		
	C	J	lbs	C	J	lbs	C	J	lbs	C	J	lbs	C	J	lbs	C	J	lbs
65	45.9	81.0	71,7	54.1	98.8	71,7	62.0	115.8	65,0	70.2	133.5	54,0	78.1	150.6	46,1	86.6	168.3	38,8
60	52.2	77.7	71,7	62.0	94.8	65,5	71.5	110.9	53,6	81.3	127.9	44,1	90.6	144.0	37,3	100.4	161.1	30,9
55	58.1	73.8	71,4	69.6	89.9	56,0	80.4	105.3	44,8	91.5	121.4	37,0	102.4	136.8	30,6	113.5	152.9	25,1
50	64.0	69.6	63,1	76.4	84.6	48,9	88.6	99.1	39,5	101.0	114.2	31,7	113.2	128.3	26,0	126.0	143.3	20,8
45	69.2	64.6	56,7	83.0	78.7	43,7	96.1	91.9	35,1	110.2	106.0	27,8	123.4	119.1	22,7	137.1	132.9	18,1
40	73.8	59.7	51,6	88.9	72.2	39,5	103.3	84.3	31,5	118.4	96.8	24,7	132.5	108.9	19,8	147.6	121.7	15,6
35	78.1	54.1	47,8	94.2	65.3	36,4	109.6	77.7	28,7	125.7	87.3	22,5	141.1	98.1	17,8	157.2	109.3	13,7
30	81.7	48.2	44,5	98.8	58.1	33,7	114.8	67.3	26,5	131.9	77.1	20,5	148.3	86.6	16,3	165.4	96.5	12,1
25	85.0	42.0	41,4	102.7	50.2	31,1	119.8	58.1	24,0	137.5	66.3	18,5	154.5	74.1	14,8	172.2	82.7	10,6

Max. capacities in 1000 lbs do not exceed 66.7 % of tipping load.

Load diagram restricted by safety factors of standard ropes:

Winches ————— 66,200 lbs

Rope diameter ————— 36 mm

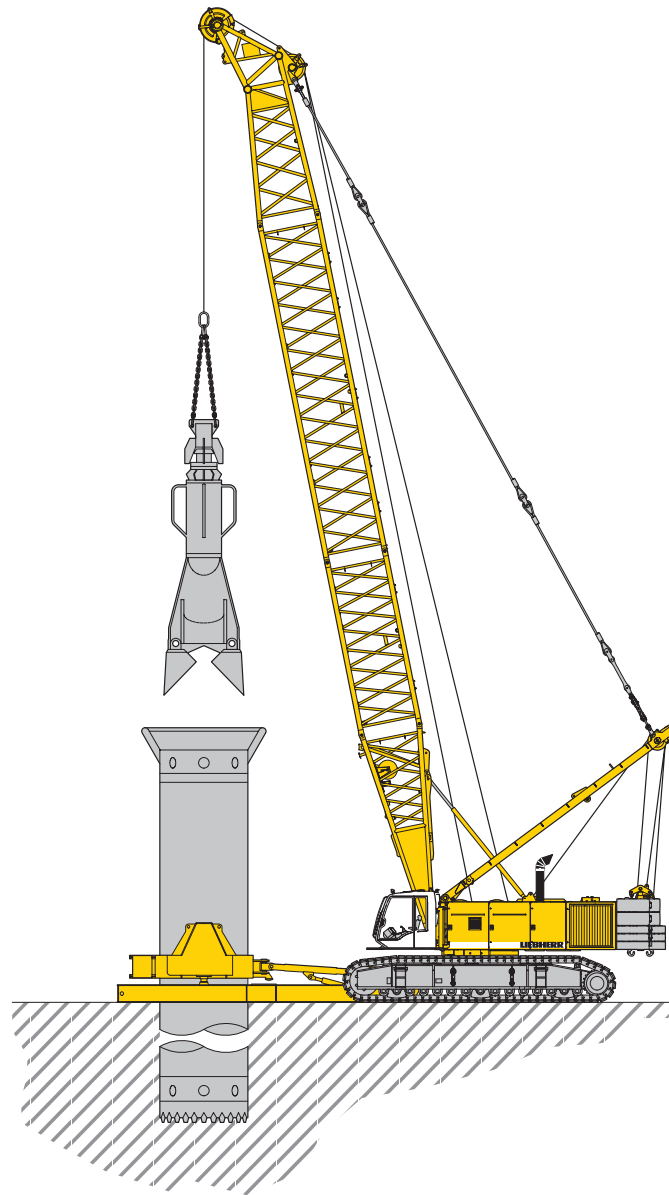
Calc. breaking load — 260,550 lbf

1-rope clamshell ——— 51,800 lbs

2-rope clamshell ——— 69,000 lbs

# Equipment

## Casing oscillator



Winch options	2 x 66,200 lbs
Line pull 2 x	132,300 lbs
Max. rope speed 1st layer	0–253 ft/min
(with change gear box)	0–515 ft/min
Drilling diameter	10.8 ft
Max. chisel weight	39,700 lbs
Max. capacity with boom position in longitudinal direction of undercarriage with 104 ft main boom at 33 ft radius (75% tipping load)	168,900 lbs

Free fall winches with maintenance free, spring loaded multi disc brake working in an oil bath. Simultaneous working of both winches is assured through our hydraulic system.

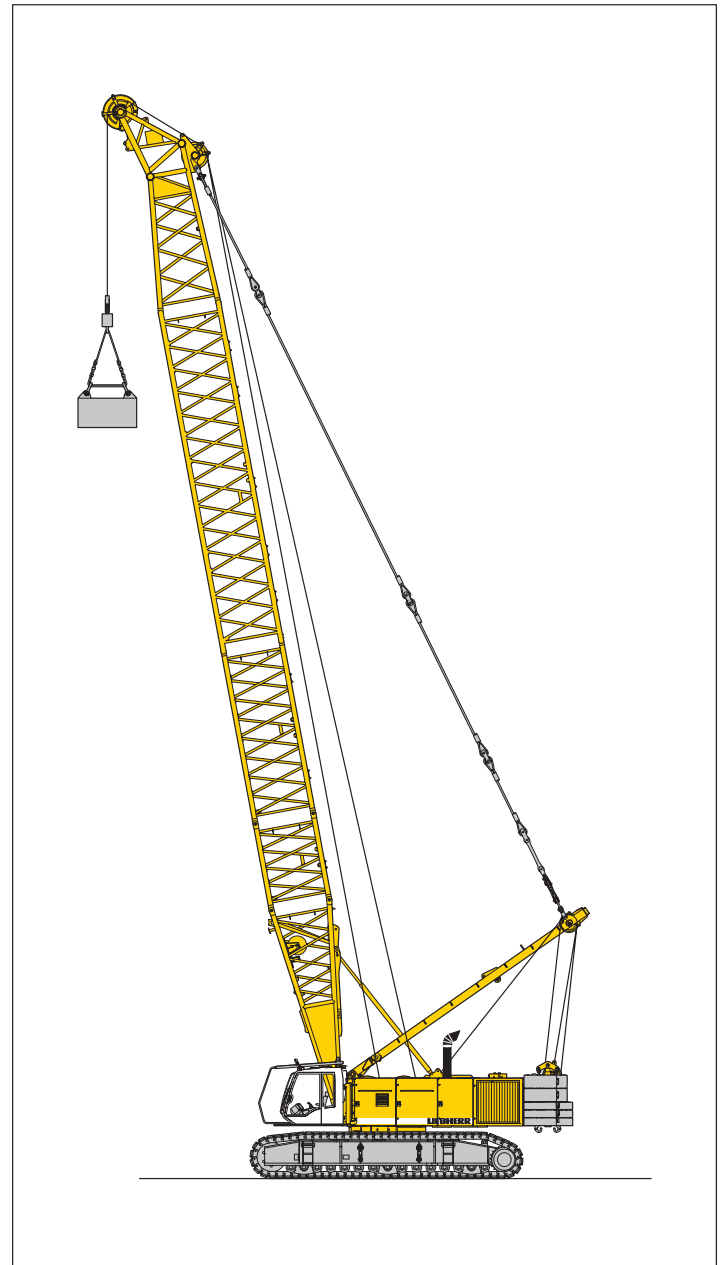
Hydraulic supply for casing oscillator  
 $q = 2 \times 106 \text{ gal/min.}$   
 $P = 4350 \text{ PSI max.}$

Mechanical connection casing oscillator on undercarriage. Automatic operation for one and two rope grabs (optional). During the drilling process the engine power can be freely divided between casing oscillator and hoisting winches as required.



# Equipment

## Dynamic soil compaction



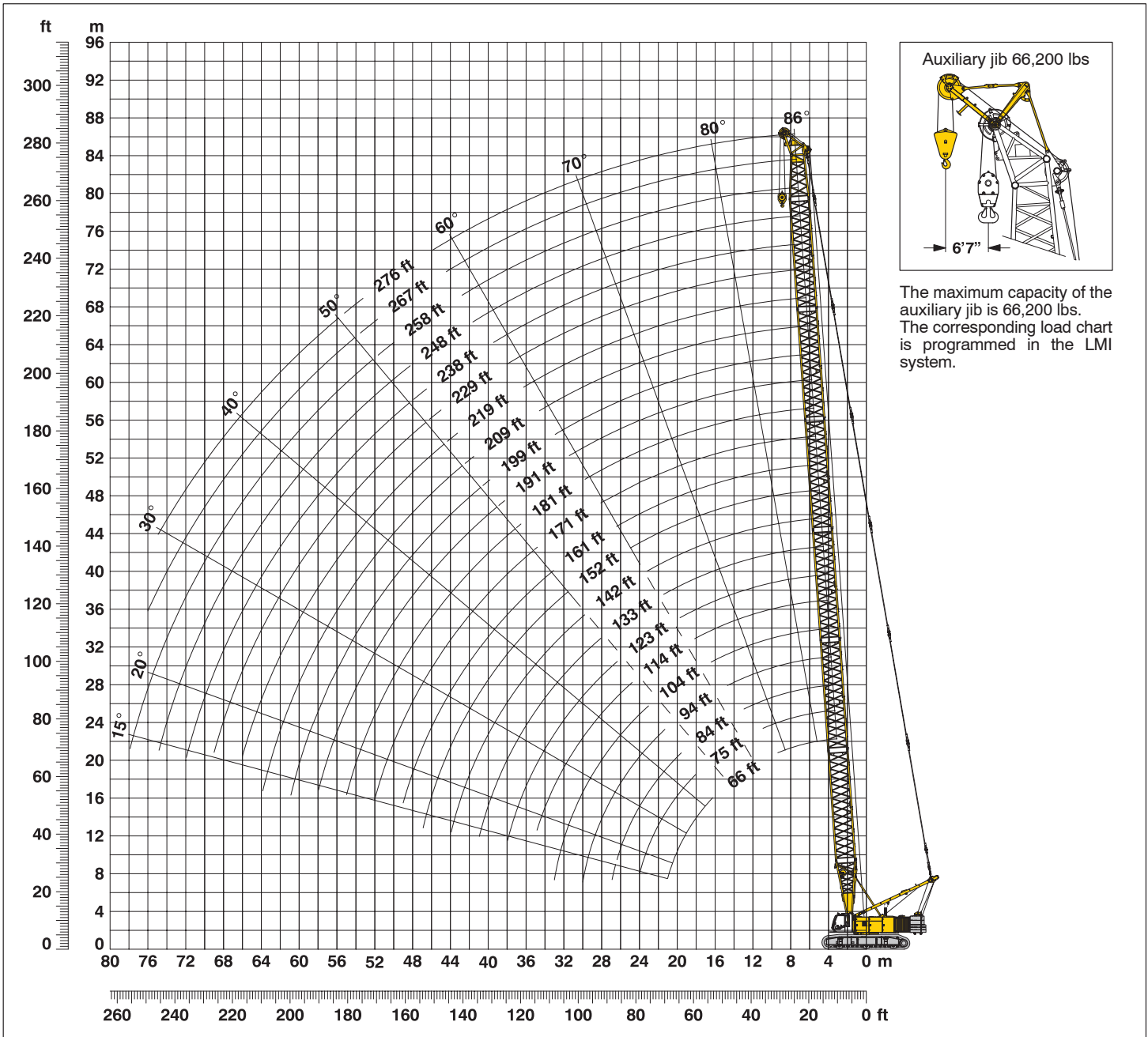
Capacities in 1000 lbs for boom lengths (84 ft – 142 ft)

Radius (ft)	Boom length			
	84 ft lbs	104 ft lbs	123 ft lbs	142 ft lbs
29.5	88,2	88,2	88,2	83,8
32.8	88,2	83,8	79,4	75,0
36.1	77,2	77,2	70,6	68,4
39.4	70,6	70,6	66,2	61,7

Max. capacities in 1000 lbs do not exceed 75% of tipping load.  
 All loads given are max. values and must not be exceeded. They are only permitted in two rope automatic operation and are valid for work on a surface with max. inclination of 1 %. Lifting heights must not exceed 98.4 ft.

# Working range - main boom (No. 2220.xx) 86° - 15°

166,000 lbs counterweight and 59,500 lbs carbody counterweight



## Main boom configuration (table 1 - No. 2220.xx)

Configuration for boom lengths (66 ft - 276 ft)

Configuration for boom lengths (66 ft - 276 ft)	Length	Amount of boom extensions																						
		1	1	1	1	1	1	1	1	1	1	1	1	1	1	1	1	1	1	1	1			
Boom foot	23 ft	1	1	1	1	1	1	1	1	1	1	1	1	1	1	1	1	1	1	1	1			
Boom extension	10 ft*		1		1		1		1		1		1		1		1		1		1			
Boom extension	20 ft*	1	1		1	1		1	1		1	1		1	1		1	1		1	1			
Boom extension	38 ft*			1	1	1	1	2	2	2	2	3	3	3	3	4	4	4	4	5	5	5	5	6
Boom head	23 ft	1	1	1	1	1	1	1	1	1	1	1	1	1	1	1	1	1	1	1	1	1	1	
Boom length in (ft)		66	75	84	94	104	114	123	133	142	152	161	171	181	191	199	209	219	229	238	248	258	267	276

\*Actual lengths of boom sections are metric (e.g. 3 m, 6 m, 11.7 m). The figures shown above are approximate conversions to feet.

# Lift chart for main boom (No. 2220.xx)

## 143,500 lbs counterweight and 59,500 lbs carbody counterweight

Capacities in 1000 lbs for boom lengths (66 ft – 267 ft) – with 66,200 lbs winches  
Counterweight 143,500 lbs and 59,500 lbs carbody counterweight

Radius	Boom length in (ft)												Radius
	66	84	104	123	142	161	181	199	219	238	258	267	
(ft)	lbs	lbs	lbs	lbs	lbs	lbs	lbs	lbs	lbs	lbs	lbs	lbs	(ft)
16	*440,9												16
20	*440,9	*424,6	*432,2										20
25	*338,3	*339,2	*339,5	*313,3	*321,2								25
30	252.6	253.2	253.3	253.3	252.3	244.5	220.4	181.3					30
35	200.7	201.2	201.0	200.9	200.5	200.2	197.3	168.4	144.9	120.0			35
40	165.8	166.3	166.0	165.8	165.3	164.9	164.3	155.1	133.7	114.0	111.0	100.8	40
45	140.8	141.2	140.9	140.6	140.0	139.5	138.9	138.3	124.0	105.9	106.1	94.6	45
50	121.9	122.4	121.9	121.6	121.0	120.4	119.7	119.1	116.7	95.7	101.9	90.7	50
55	107.1	107.6	107.2	106.8	106.1	105.6	104.8	104.1	103.3	91.6	96.8	87.5	55
60	95.2	95.8	95.3	95.0	94.2	93.6	92.8	92.1	91.3	87.6	89.7	85.0	60
65	85.3	86.0	85.6	85.3	84.5	83.9	83.0	82.3	81.4	80.7	79.8	79.3	65
85		59.6	59.5	59.2	58.4	57.7	56.8	56.0	55.0	54.2	53.2	52.7	85
105			44.2	44.1	43.3	42.7	41.7	41.0	40.0	39.1	38.1	37.6	105
120				36.0	35.4	34.8	33.8	33.1	32.0	31.2	30.1	29.6	120
140					27.5	27.0	26.1	25.3	24.3	23.4	22.4	21.8	140
160						21.1	20.3	19.6	18.6	17.7	16.6	16.1	160
180							15.7	15.1	14.1	13.3	12.2	11.6	180
200								11.4	10.6	9.8	8.7	8.1	200
215									8.3	7.5	6.5	5.9	215
235										4.9	4.0	3.4	235
245											2.8	2.3	245
250											2.3		250

Above lift chart is for reference only. For actual lift duty please refer to lift chart in operator's cab or manual.

\*) Only with special boom head

# Lift chart for main boom (No. 2220.xx)

## 166,000 lbs counterweight and 59,500 lbs carbody counterweight

Capacities in 1000 lbs for boom lengths (66 ft – 276 ft) – with 66,200 lbs winches  
Counterweight 166,000 lbs and 59,500 lbs carbody counterweight

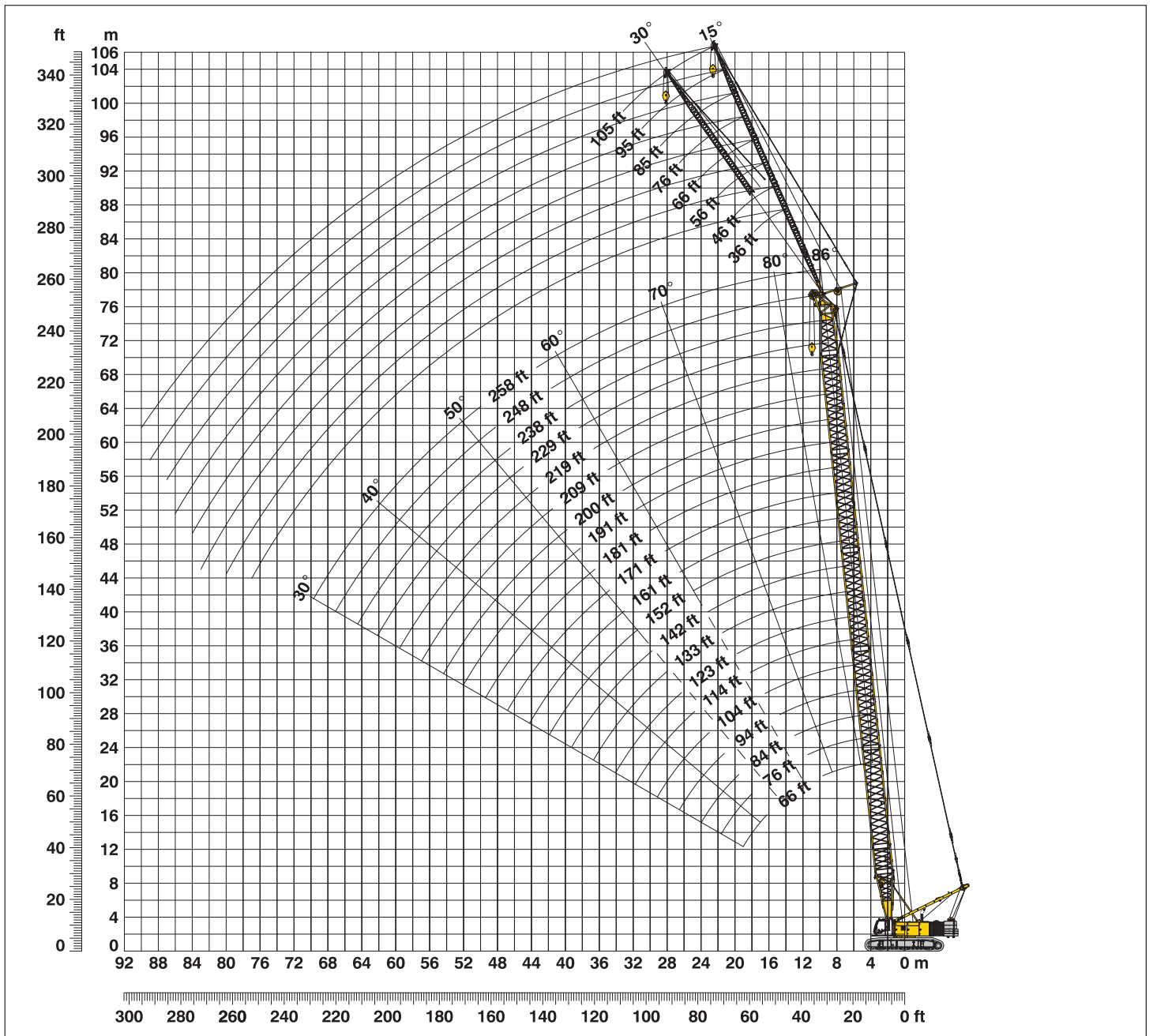
Radius	Boom length in (ft)											Radius	
	66	84	104	123	142	161	181	199	219	238	258		276
(ft)	lbs	lbs	lbs	lbs	lbs	lbs	lbs	lbs	lbs	lbs	lbs	lbs	(ft)
25		*369,3	*360,2	*349,2	*322,9								25
30	275.3	275.9	275.7	275.9	*275,2	244.5	220.4	181.3					30
35	218.9	219.4	219.2	219.1	218.7	218.4	201.2	168.4	144.9	120.0			35
40	181.0	181.5	181.2	181.0	180.5	180.0	179.5	155.1	133.7	114.0	111.0	89.3	40
45	153.8	154.3	153.9	153.6	153.0	152.5	151.9	142.9	124.0	105.9	106.1	85.6	45
50	133.3	133.8	133.4	133.0	132.4	131.9	131.1	130.5	116.7	95.7	101.9	82.5	50
55	117.3	117.8	117.4	117.0	116.3	115.7	115.0	114.3	109.9	91.6	96.8	79.9	55
60	104.3	104.9	104.5	104.1	103.4	102.8	102.0	101.3	100.5	87.6	93.1	77.7	60
65	93.6	94.4	94.0	93.6	92.8	92.2	91.3	90.6	89.8	84.1	87.8	74.6	65
85		65.7	65.6	65.3	64.5	63.8	62.9	62.1	61.2	60.3	59.4	58.5	85
105			49.0	48.9	48.1	47.5	46.6	45.8	44.8	44.0	42.9	42.1	105
120				40.2	39.6	39.0	38.0	37.2	36.2	35.4	34.3	33.4	120
140					31.0	30.5	29.6	28.8	27.8	27.0	25.9	25.0	140
160						24.2	23.4	22.6	21.6	20.8	19.7	18.8	160
180							18.4	17.8	16.8	16.0	14.9	14.0	180
200								13.9	13.0	12.2	11.1	10.2	200
215									10.5	9.8	8.7	7.8	215
235										7.0	6.0	5.1	235
255											3.6	2.8	255
260												2.3	260

Above lift chart is for reference only. For actual lift duty please refer to lift chart in operator's cab or manual.

\*) Only with special boom head

# Working range - fixed jib (No. 0806.xx) 15° and 30°

Main boom 86° - 30°



## Boom configuration for boom lengths (66 ft - 258 ft) – see table 1 on page 10

### Fixed jib configuration for fixed jib lengths (36 ft - 105 ft)

	Length	Amount of fixed jib extensions							
Fixed jib foot	18 ft	1	1	1	1	1	1	1	1
Fixed jib insert	10 ft*		1		1		1		1
Fixed jib insert	20 ft*			1	1	2	2	3	3
Fixed jib head	18 ft	1	1	1	1	1	1	1	1
Fixed jib length in (ft)		36	46	56	66	76	85	95	105

\*Actual lengths of boom sections are metric (e.g. 3 m, 6 m.). The figures shown above are approximate conversions to feet.

# Lift chart - fixed jib (No. 0806.xx)

Offset 15°

## Main boom 66 ft

Radius (ft)	Fixed jib length in (ft)			
	36	66	85	105
30	54.3			
45	42.3	23.4		
50	40.7	22.3	15.6	
60	38.4	20.9	12.8	10.0
70	36.6	19.9	11.8	8.6
80	35.3	18.9	11.1	8.2
90	34.4	18.2	10.3	7.9
95	34.0	17.8	10.0	7.8
110		16.8	9.2	7.3
120		16.0	8.7	7.1
140			8.1	6.7
160				6.7

## Main boom 94 ft

Radius (ft)	Fixed jib length in (ft)			
	36	66	85	105
29.9	55.5			
45	44.1	26.2		
55	41.1	22.3	13.6	
65	39.3	21.1	12.8	9.0
70	38.5	20.6	12.4	8.8
80	37.2	19.8	11.6	8.4
90	35.9	19.0	11.0	8.1
100	35.0	18.5	10.4	7.8
120	33.8	17.3	9.4	7.3
150		15.4	8.4	6.8
170			7.9	6.6
190				6.6

## Main boom 123 ft

Radius (ft)	Fixed jib length in (ft)			
	36	66	85	105
33.9	53.1			
50	43.2	23.2		
60	41.3	22.1	13.4	
70	39.8	21.2	12.8	8.9
80	38.4	20.4	12.1	8.6
90	37.5	19.7	11.5	8.3
100	36.4	19.0	11.0	8.0
120	34.8	18.0	10.0	7.5
140	32.8	17.2	9.2	7.2
170		15.6	8.4	6.8
190			8.0	6.6
210				6.6

## Main boom 152 ft

Radius (ft)	Fixed jib length in (ft)			
	36	66	85	105
38	50.8			
55	42.0	22.6		
65	40.7	21.9	13.3	
75	39.8	21.1	12.8	8.8
80	39.1	20.7	12.5	8.7
100	37.1	19.6	11.4	8.2
120	35.5	18.5	10.5	7.7
140	31.3	17.7	9.7	7.3
170	22.4	16.7	8.8	6.9
200		15.3	8.2	6.6
215			8.0	6.5
235				6.5

## Main boom 181 ft

Radius (ft)	Fixed jib length in (ft)			
	36	66	85	105
41.9	48.6			
60	41.3	22.0		
70	40.1	21.4	13.2	
80	39.3	20.8	12.8	8.8
100	37.5	19.7	11.8	8.3
120	36.1	18.7	11.0	7.9
140	29.9	18.0	10.1	7.5
160	23.7	17.3	9.5	7.2
195	15.9	16.2	8.6	6.8
225		12.8	8.1	6.5
245			7.9	6.5
260				6.5

## Main boom 209 ft

Radius (ft)	Fixed jib length in (ft)			
	36	66	85	105
45.9	45.7			
65	39.9	21.4		
70	39.4	21.1	15.1	
80	38.5	20.8	12.8	9.7
100	37.1	19.7	12.0	8.4
120	35.6	18.9	11.2	8.0
140	28.4	18.1	10.5	7.6
180	17.4	16.9	9.3	7.0
215	11.1	13.0	8.6	6.7
245		8.9	8.1	6.5
265			7.6	6.4
285				6.4

## Main boom 229 ft

Radius (ft)	Fixed jib length in (ft)			
	36	66	85	105
48.6	43.6			
65	39.0	21.1		
75	38.1	20.7	13.1	
85	37.3	20.4	12.6	8.8
100	36.4	19.6	12.1	8.4
120	35.1	18.9	11.3	8.0
160	21.1	17.5	10.0	7.4
200	12.4	14.3	9.1	6.9
235	7.2	9.1	8.4	6.6
265		5.6	6.6	6.4
285			4.6	5.5
305				3.8

## Main boom 248 ft

Radius (ft)	Fixed jib length in (ft)			
	36	66	85	105
51.3	41.3			
70	37.3	20.4		
80	36.5	20.1	12.8	
85	36.1	19.9	12.6	9.6
120	33.3	18.7	11.4	8.1
160	20.1	17.4	10.2	7.4
200	11.5	13.4	9.2	6.9
240	5.7	7.5	8.4	6.6
250	4.6	6.3	7.4	6.5
280		3.2	4.2	5.2
300			2.5	3.4
310				2.5

## Main boom 258 ft

Radius (ft)	Fixed jib length in (ft)			
	36	46	56	
52.6	40.4			
60	37.3	30.7		
65	36.9	30.4	24.7	
80	36.0	29.7	24.1	
100	34.7	28.6	23.3	
120	32.5	27.8	22.6	
160	19.6	20.4	21.1	
200	10.9	11.6	12.3	
240	5.2	5.8	6.4	
260	2.9	3.5	4.2	
270		2.5	3.1	
275			2.7	

Capacities in 1000 lbs with fixed jib (No. 0806.xx) 166,000 lbs counterweight + 59,500 lbs carbody counterweight. Above lift chart is for reference only. For actual lift duty please refer to lift chart in operator's cab or manual.

# Lift chart - fixed jib (No. 0806.xx)

Offset 30°

## Main boom 66 ft

Radius (ft)	Fixed jib length in (ft)			
	36	66	85	105
40	38.6			
60	33.3	18.7		
70	31.4	17.4	11.8	
85	28.0	15.7	9.4	7.5
90	27.3	15.3	9.2	7.4
95	26.6	14.9	9.0	7.3
120		13.4	8.1	6.9
125		13.3	8.0	6.8
140			7.8	6.6
145			7.8	6.6
160				6.5
165				6.5

## Main boom 94 ft

Radius (ft)	Fixed jib length in (ft)			
	36	66	85	105
38.8	41.8			
60	34.8	21.3		
75	32.4	17.6	10.2	
90	29.9	16.2	9.5	7.5
95	29.0	15.8	9.3	7.4
100	28.3	15.4	9.1	7.3
105	27.6	15.0	9.0	7.2
110	27.1	14.8	8.8	7.1
120	26.2	14.2	8.4	7.0
150		13.2	7.9	6.7
170			7.8	6.5
190				6.4

## Main boom 123 ft

Radius (ft)	Fixed jib length in (ft)			
	36	66	85	105
42.7	41.0			
65	34.8	18.8		
80	33.1	17.8	10.2	
100	30.6	16.2	9.4	7.4
110	29.0	15.5	9.1	7.3
120	27.8	14.9	8.8	7.1
130	26.9	14.5	8.5	7.0
140	26.2	14.0	8.3	6.9
145	25.8	13.8	8.2	6.8
175		13.2	7.8	6.6
195			7.8	6.4
215				6.4

## Main boom 152 ft

Radius (ft)	Fixed jib length in (ft)			
	36	66	85	105
46.9	40.0			
70	34.7	18.6		
85	33.6	17.9	10.1	
100	31.8	16.7	9.6	7.4
110	31.0	16.2	9.3	7.3
120	29.7	15.5	9.0	7.2
140	27.6	14.6	8.5	7.0
160	25.3	13.9	8.2	6.8
170	22.6	13.6	8.0	6.7
200		13.2	7.8	6.5
220			7.8	6.4
240				6.4

## Main boom 181 ft

Radius (ft)	Fixed jib length in (ft)			
	36	66	85	105
50.8	38.8			
75	34.5	18.5		
90	33.6	17.9	10.1	
100	32.7	17.2	9.8	8.3
120	31.1	16.1	9.2	7.3
140	29.1	15.1	8.8	7.0
160	24.2	14.4	8.4	6.9
180	19.2	13.8	8.1	6.7
195	16.1	13.5	7.9	6.6
225		13.1	7.8	6.4
245			7.8	6.4
265				6.4

## Main boom 209 ft

Radius (ft)	Fixed jib length in (ft)			
	36	66	85	105
56.2	37.5			
80	33.8	18.3		
95	32.9	17.8	10.1	
105	32.5	17.3	9.8	8.2
120	31.6	16.6	9.4	7.3
140	28.8	15.7	9.0	7.1
160	22.4	14.9	8.6	6.9
200	13.4	13.8	8.1	6.7
225	9.4	11.5	7.8	6.5
255		7.5	7.7	6.4
275			6.4	6.3
295				5.4

## Main boom 229 ft

Radius (ft)	Fixed jib length in (ft)			
	36	66	85	105
57.5	37.0			
80	33.4	18.1		
95	32.6	17.7	10.1	
110	32.0	17.1	9.7	7.4
120	31.5	16.6	9.5	7.3
140	28.3	15.9	9.0	7.1
160	21.8	15.0	8.7	6.9
200	12.9	13.9	8.1	6.6
235	7.5	9.6	7.8	6.5
265		5.8	7.1	6.3
285			4.9	6.0
305				4.0

## Main boom 248 ft

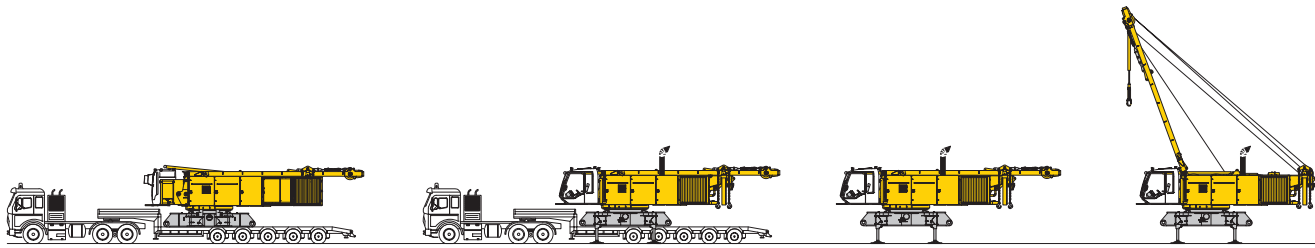
Radius (ft)	Fixed jib length in (ft)			
	36	66	85	105
60.1	36.0			
85	32.5	17.8		
95	32.0	17.6	11.5	
110	31.3	17.1	9.7	7.4
120	30.8	16.7	9.5	7.3
140	27.5	16.0	9.1	7.1
180	16.0	14.6	8.4	6.8
220	8.7	11.0	8.0	6.5
255	4.2	6.2	7.5	6.4
285		2.9	4.2	5.3
305			2.2	3.4
315				2.5

## Main boom 258 ft

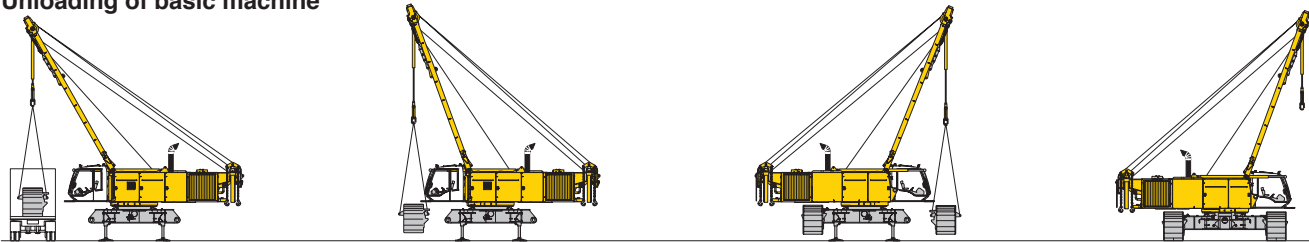
Radius (ft)	Fixed jib length in (ft)			
	36	46	56	
61.5	35.6			
70	32.8	26.5		
80	32.4	26.1	21.4	
100	31.5	25.4	20.9	
120	30.7	24.8	20.1	
140	27.0	23.8	19.5	
160	20.5	21.5	18.4	
200	11.5	12.3	13.2	
240	5.5	6.2	7.0	
265	2.6	3.3	4.0	
275		2.2	2.9	
280			2.4	

Capacities in 1000 lbs with fixed jib (No. 0806.xx) 166,000 lbs counterweight + 59,500 lbs carbody counterweight. Above lift chart is for reference only. For actual lift duty please refer to lift chart in operator's cab or manual.

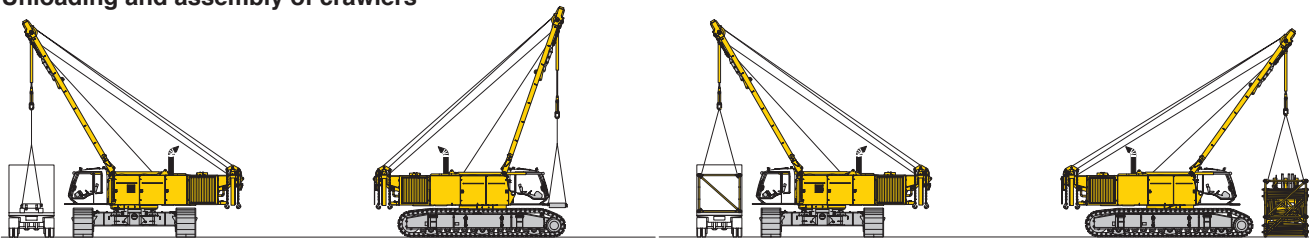
# Self assembly system



Unloading of basic machine

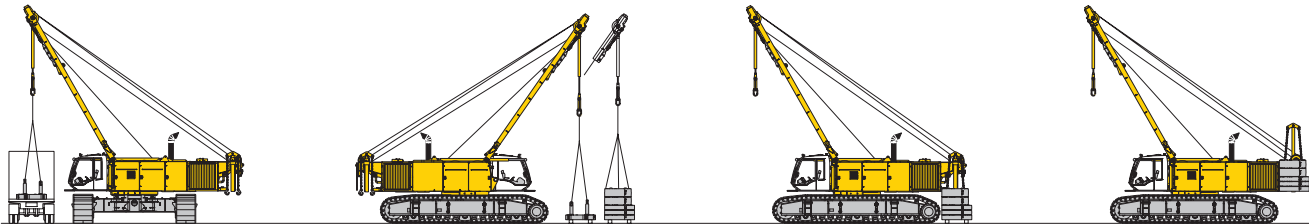


Unloading and assembly of crawlers

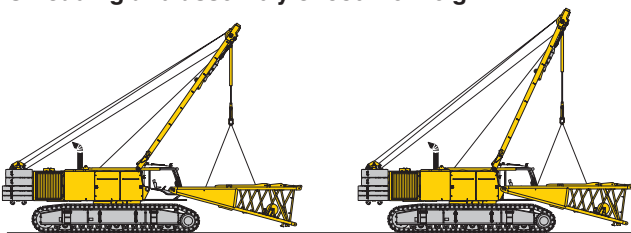


Unloading and assembly of carbody counterweight (option)

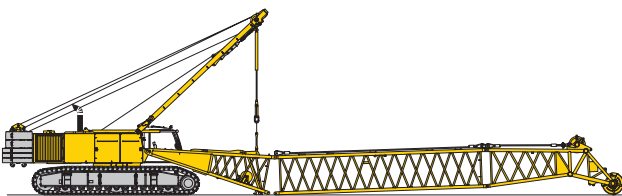
Unloading and assembly of boom



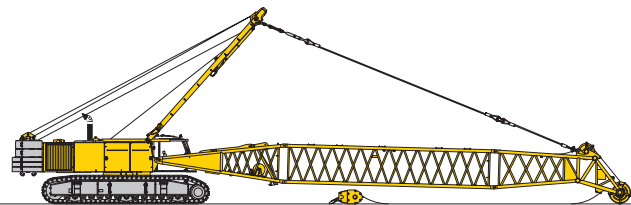
Unloading and assembly of counterweight



Assembly of boom foot



Assembly of boom



Reeving of hoist ropes