

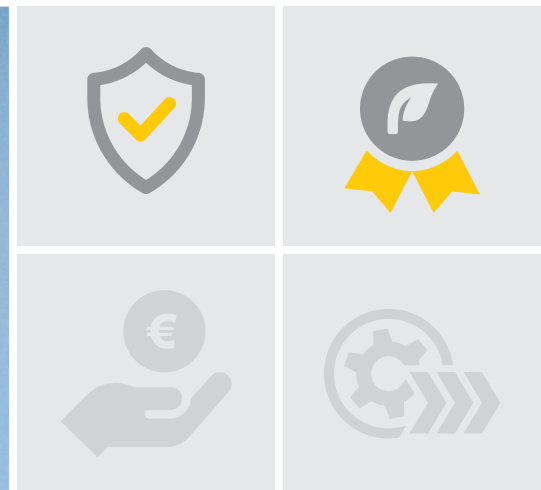
Liebherr Customer Service

# Upgrade: Ground Pressure Indication & Monitoring

EN

Upgrade for:

LR 1100 – LR 1001.01.05 / 06  
LR 1130 – LR 1002.03.05 / 06  
LR 1160 – LR 1003.03.05 / 06  
LR 1200 – LR 1004.02.05 / 06  
LR 1250 – LR 1004.02.05 / 06  
LR 1300 – LR 1006.01.05 / 06



# LIEBHERR

# Ground Pressure in Lifting Operation



This is a representation of how the ground pressure is distributed during operation. For the actual monitor display, see page 3.

# Ground Pressure Monitoring for Increased Safety and Improved Operator Comfort

The ground load-bearing capacity and the monitoring of the ground pressure are significant factors for the safe operation of the crane. Continuously changing ground pressures arise when lifting jobs are being carried out and, due to prevailing ground conditions, many jobsites specify the maximum permissible ground pressure. With the new retrofit system from Liebherr the operator can enter this value directly on

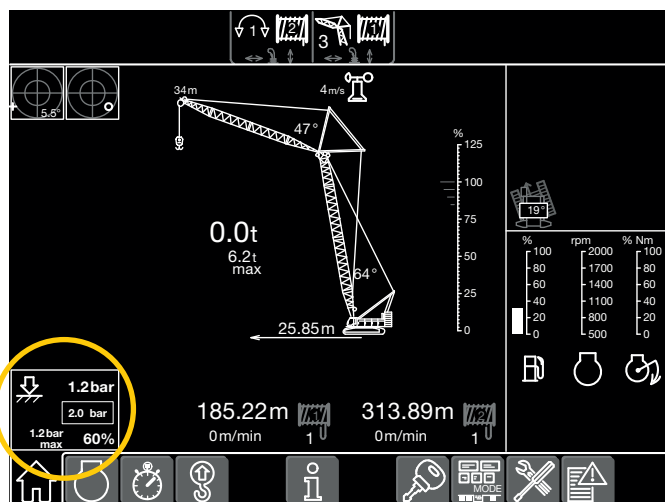
the monitor in the operator's cab and as soon as the crane reaches the maximum permissible ground pressure, both a visual and an audible warning signal is given. The new assistant system considers the weight of the load on the hook, the boom position and the swing angle in calculating the current ground pressure.

## Features

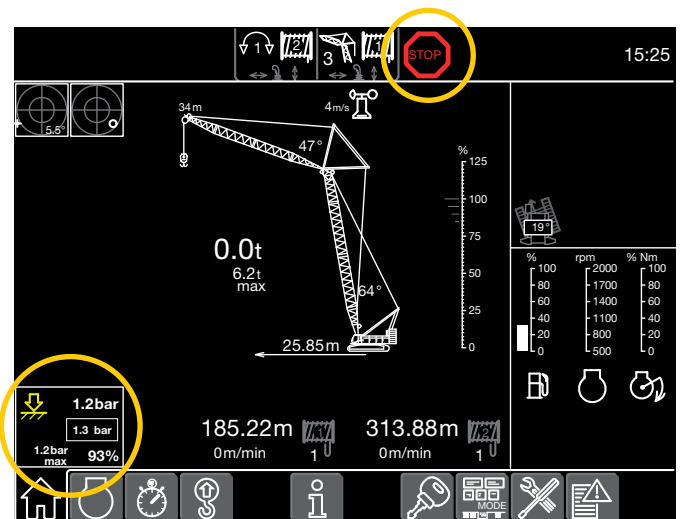
- Actual ground pressure is calculated in real time.
- Maximum permissible ground pressure can be individually predefined.
- The distribution of the ground pressure and the predefined safety limits are continuously monitored and compared, and displayed on the monitor in the operator's cab.
- Audible and visual warnings upon approaching the predefined values.

## Your benefits

- Increased safety on the jobsite due to consideration of prevailing ground conditions.
- Higher operator comfort thanks to clearly displayed information and warning signals.
- Prevention of critical or stressful situations before they occur.
- User-friendly and intuitive handling in the operator's cab.



The ground pressure is displayed in real time on the monitor in the operator's cab.



Audible and visual warning when the predefined values are approached.



# The Liebherr Group of Companies



## Wide Product Range

The Liebherr Group is one of the largest construction equipment manufacturers in the world. Liebherr's high-value products and services enjoy a high reputation in many other fields. The wide range includes domestic appliances, aerospace and transportation systems, machine tools and maritime cranes.

## Exceptional Customer Benefit

Every product line provides a complete range of models in many different versions. With both their technical excellence and acknowledged quality, Liebherr products offer a maximum of customer benefits in practical applications.

## State-of-the-art Technology

To provide consistent, top quality products, Liebherr attaches great importance to each product area, its components and core technologies. Important modules and components are developed and manufactured in-house, for instance the entire drive and control technology for construction equipment.

## Worldwide and Independent

Hans Liebherr founded the Liebherr family company in 1949. Since then, the family business has steadily grown to a group of more than 130 companies with nearly 44,000 employees located on all continents. The corporate headquarters of the Group is Liebherr-International AG in Bulle, Switzerland. The Liebherr family is the sole owner of the company.

[www.liebherr.com](http://www.liebherr.com)

Find a service partner near you:

