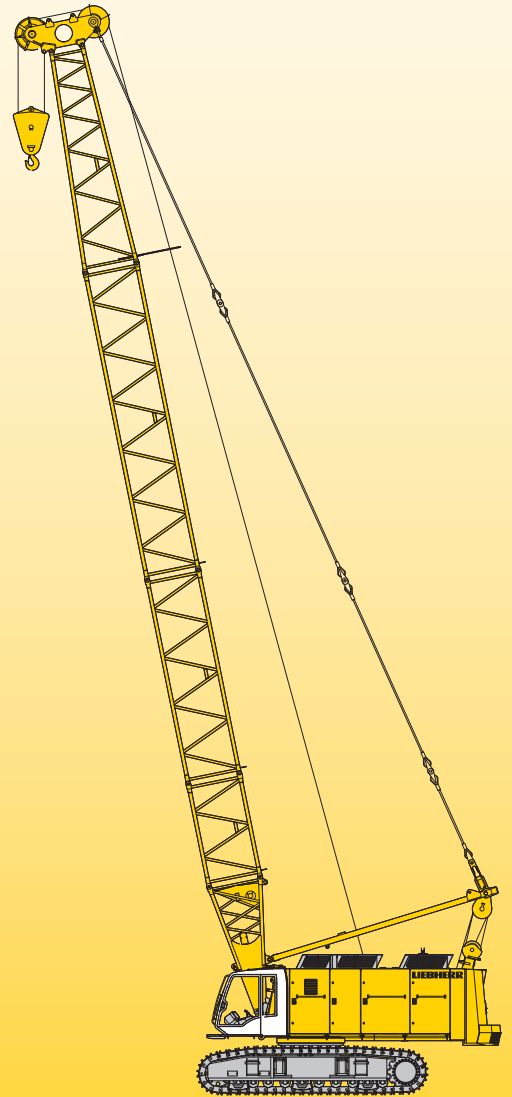


**Technical data**  
**Hydraulic crawler crane**

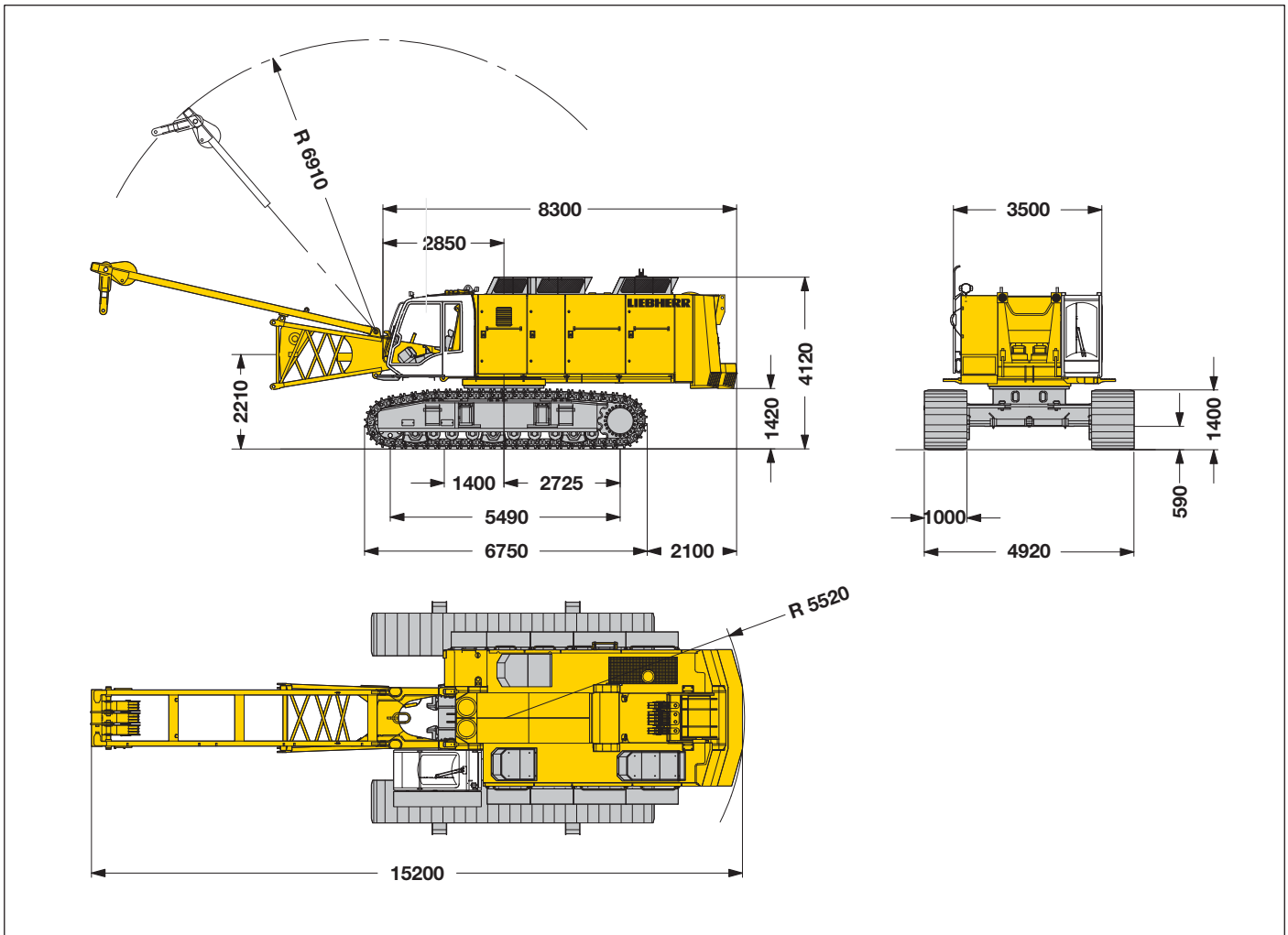
**HS 885 HD**  
Litronic®



**LIEBHERR**

# Dimensions

## Basic machine with undercarriage



### Operating weight

The operating weight includes the basic machine with HD undercarriage, 2 main winches 300 kN with speed change gear and 11 m boom, consisting of A-frame, boom foot (4 m), boom head section (6.4 m), boom head (0.6 m) and 24.1 t basic counterweight + 8.4 t add. counterweight.

Total weight \_\_\_\_\_ approx. 113.5 t

### Ground pressure

Ground bearing pressure \_\_\_\_\_ 1.03 kg/cm<sup>2</sup>

### Equipment

Main boom (No. 1515.xx) max. length \_\_\_\_\_ 56 m  
 Main boom with L-boom head (No. 1515.xx) \_\_\_\_\_ 74 m  
 Fixed jib (No. 0806.xx) \_\_\_\_\_ 11 m - 32 m

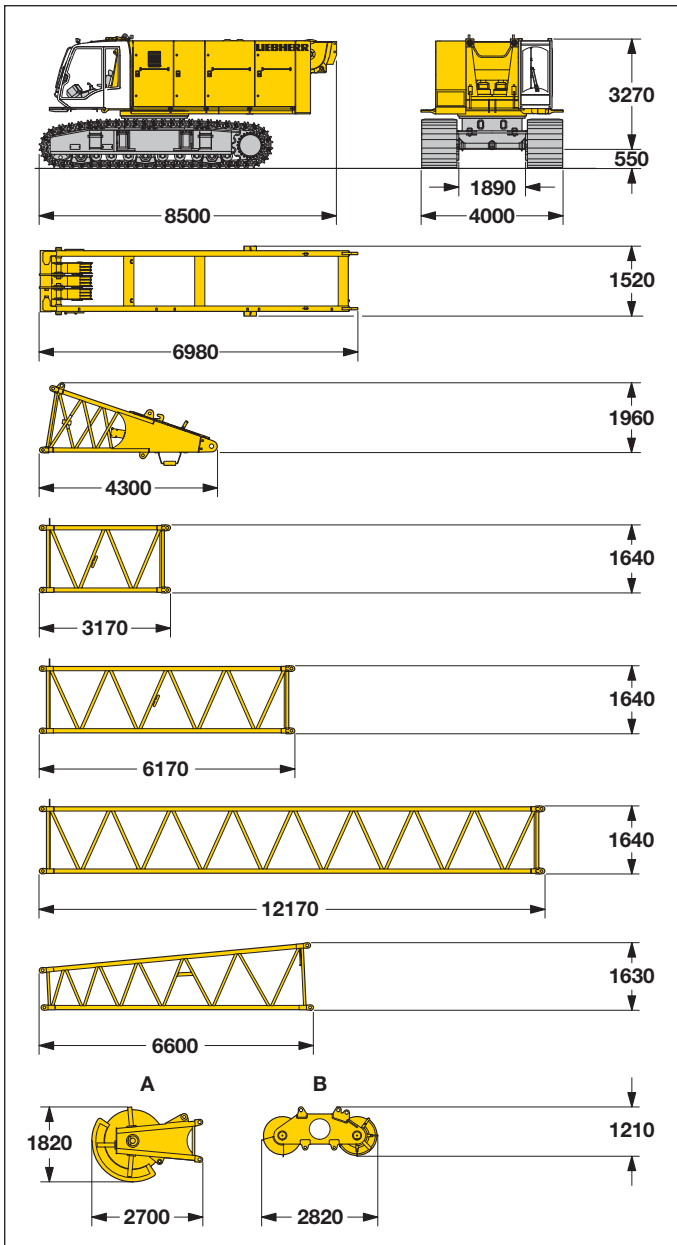
Universal boom head with interchangeable rope pulleys.  
 Modular designed equipment for operation as crane, with dragline or clamshell. For dragline operation, a rotating fairlead is fitted into the boom foot. This minimizes the rope angle to drum, which results in lower rope wear.

### Remarks

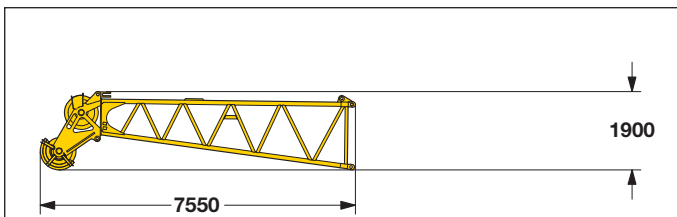
1. The lifting capacities stated are valid for lifting operation only (corresponding with crane classification according to F.E.M. 1.001, crane group A1).
2. Crane standing on firm, horizontal ground.
3. The weight of the lifting device (hoisting ropes, hook block, shackle etc.) must be deducted from the gross lifting capacity to obtain a net lifting value.
4. Additional equipment on boom (e.g. boom walkways, auxiliary jib) must be deducted to get the net lifting capacity.
5. For max. wind speed please refer to lift chart in operator's cab or manual.
6. Working radii are measured from center of swing and under load.
7. The lifting capacities are valid for 360 degrees of swing.
8. Calculation of stability under load is based on ISO 4305 Table 1 + 2, tipping angle 4°.
9. The structures are calculated according to F.E.M. 1.001 - 1998 (EN 13001-2 / 2004).

# Transport dimensions and weights

## Basic machine and boom (No. 1515.xx)



\*) Including pendant ropes



\*) Including pendant ropes

### Basic machine

with HD undercarriage, 2 x 300 kN winches with change gear box, without counterweight, boom foot and A-frame

3-web grousers	1000 mm
Width	4000 mm
Weight	72000 kg

### A-frame

Width	600 mm
Weight*	2420 kg

### Boom foot (No. 1515.32)

Width	1950 mm
Weight	2300 kg

### Boom section (No. 1515.25) 3 m

Width	1660 mm
Weight*	770 kg

### Boom section (No. 1515.25) 6 m

Width	1660 mm
Weight*	1240 kg

### Boom section (No. 1515.25) 12 m

Width	1660 mm
Weight*	2130 kg

### Boom head section (No. 1515.25) 6.4 m

Width	1660 mm
Weight*	1310 kg

### Boom head<sup>1)</sup> A B

Width	850 mm	850 mm
Weight*	1800 kg	1840 kg

1) Steel sheaves

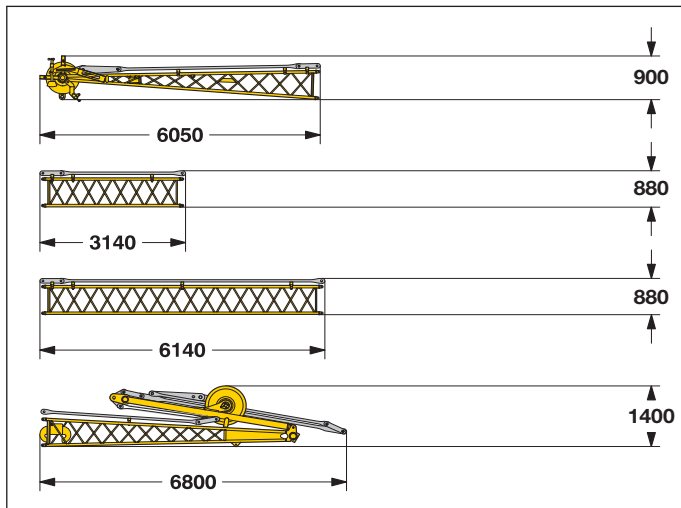
### L - boom head<sup>2)</sup> (No. 1515.21)

Width	1660 mm
Weight*	1270 kg

2) Polyamide sheaves

# Transport dimensions and weights

## Fixed jib (No. 0806.xx)



### Fixed jib head (No. 0806.16)

Width	1140 mm
Weight	475 kg

### Fixed jib section (No. 0806.15) **3 m**

Width	950 mm
Weight*	150 kg

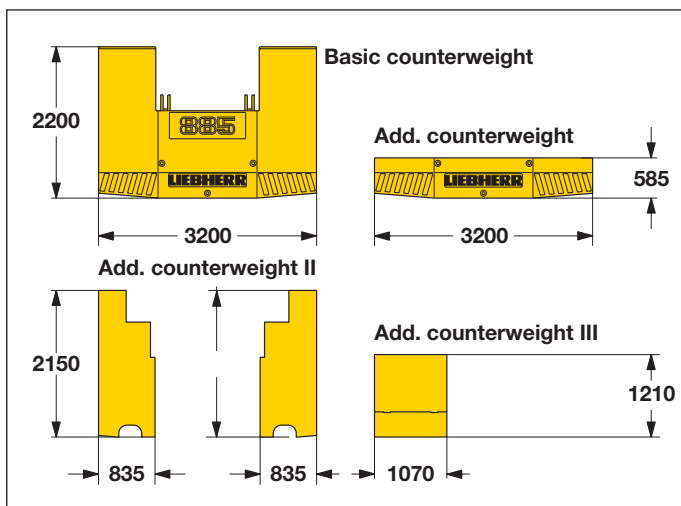
### Fixed jib section (No. 0806.15) **6 m**

Width	950 mm
Weight*	255 kg

### Fixed jib foot with A-frame (No. 0806.16)

Width	1500 mm
Weight*	1210 kg

## Counterweight



### Basic counterweight **1x**

Width	820 mm
Weight	19600 kg

### Additional counterweight **1x**

Width	670 mm
Weight	4500 kg

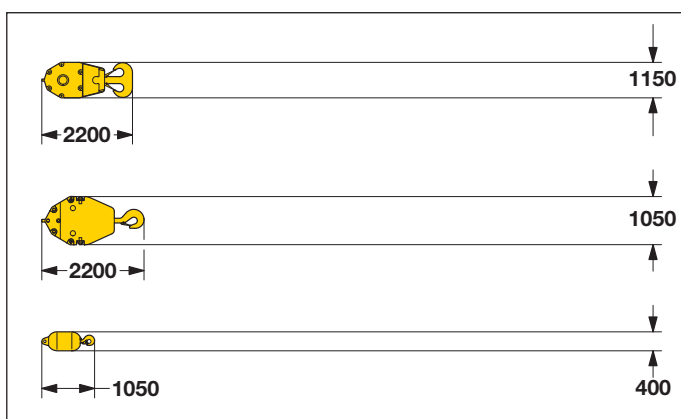
### Additional counterweight II **2x**

Width	340 mm
Weight	2600 kg

### Additional counterweight III **1x**

Width	405 mm
Weight	3200 kg

## Hooks



### 120 t hook block - 2 sheaves

Width	320 mm
Weight*	1400 kg

### 60 t hook block - 1 sheave

Width	300 mm
Weight*	970 kg

### 30 t single hook

Width	400 mm
Weight*	400 kg

# Technical description



## Engine

Power rating according to ISO 9249, 450 kW (603 hp) at 1900 rpm

Engine type \_\_\_\_\_ Liebherr D 9508 A7

Fuel tank \_\_\_\_\_ 930 l capacity with continuous level  
\_\_\_\_\_ indicator and reserve warning

Engine complies with NRMM exhaust certification EPA / CARB Tier 3 and 97/68 EC Stage III.

Option:

Power rating according to ISO 3046, 670 kW (898 hp) at 1900 rpm

Engine type \_\_\_\_\_ MAN D 2842 LE

Fuel tank \_\_\_\_\_ 930 l capacity with continuous level  
\_\_\_\_\_ indicator and reserve warning

Engine complies with NRMM exhaust certification EPA / CARB Tier 2.



## Hydraulic system

The main pumps are operated by a distributor gearbox. Axial piston displacement pumps work in closed and open circuits supplying oil only when needed (flow control on demand). To minimize peak pressure an automatically working pressure cut-off is integrated. This spares pumps and saves energy. The hydraulic oil is cleaned through electronically controlled pressure and return filters. Possible contamination is signaled in the cabin. The use of synthetic environmentally friendly oils is possible. Ready made hydraulic retrofit kits are available to customize requirements e.g. powering casing oscillators, VM-vibrators, hydraulic grabs, fixed leaders etc.

Working pressure \_\_\_\_\_ max. 350 bar

Oil tank capacity \_\_\_\_\_ 1170 l



## Boom winch

Line pull \_\_\_\_\_ max. 2x 70 kN

Rope diameter \_\_\_\_\_ 20 mm

Boom up \_\_\_\_\_ 84 sec. from 15° to 82°



## Swing

Consists of rollerbearing with external teeth for lower tooth flank pressure, fixed axial piston hydraulic motor, spring loaded and hydraulically released multi-disc holding brake, planetary gearbox and pinion. Swing speed from 0 – 3.5 rpm continuously variable, selector for 3 speed ranges to increase swing precision.

Standard:

Second swing drive



## Noise emission

Noise emissions correspond with 2000/14/EC directive on noise emission by equipment used outdoors.



## Main winches

Winch options:

Line pull (nom. load) \_\_\_\_\_ 200 kN \_\_\_\_\_ 250 kN \_\_\_\_\_ 300 kN

Rope diameter \_\_\_\_\_ 30 mm \_\_\_\_\_ 34 mm \_\_\_\_\_ 36 mm

Drum diameter \_\_\_\_\_ 630 mm \_\_\_\_\_ 750 mm \_\_\_\_\_ 820 mm

Rope speed \_\_\_\_\_ 0-86 m/min – 0-69 m/min – 0-55 m/min

With change gear box \_\_\_\_\_ 0-123 m/min – 0-119 m/min

Rope capacity 1st layer - 40.5 m \_\_\_\_\_ 38.9 m \_\_\_\_\_ 38.6 m

The winches are outstanding in their compact design and easy assembly. Clutch and braking functions on the free-fall system are provided by a compact designed, low wear and maintenance-free multi-disc brake. The drag and hoist winches use pressure controlled, variable flow hydraulic motors. This system features sensors that automatically adjust oil flow to provide max. winch speed depending on load.

Option:

Crane winch (main winch) \_\_\_\_\_ 160 kN with multi-disc holding brake

Auxiliary winch \_\_\_\_\_ 70 kN in boom foot

Tagline winch \_\_\_\_\_ 70 kN with free fall  
30 kN with free fall



## Crawlers

The track width of the undercarriage is changed hydraulically. Propulsion through axial piston motor, hydraulically released spring loaded multi-disc brake, maintenance-free crawler tracks, hydraulic chain tensioning device.

2-web grousers \_\_\_\_\_ 1000 mm

Drive speed \_\_\_\_\_ 0 – 0.85 km/h

Option:

- 2-speed hydraulic motor for higher travel speed (1.5 km/h)



## Control

The control system – developed and manufactured by Liebherr – is designed to withstand extreme temperature changes and the rough heavy duty tasks common in the construction industry. Complete machine operating data are shown on a high resolution display. The crane is equipped with proportional control for all movements, which can be carried out simultaneously.

Dragline operation: A special "Interlock" control system is an option available. It is designed for power lifting of the dragline bucket without using the drag winch brake.

On request, Liebherr also offers special custom designed control systems for free-fall winches.

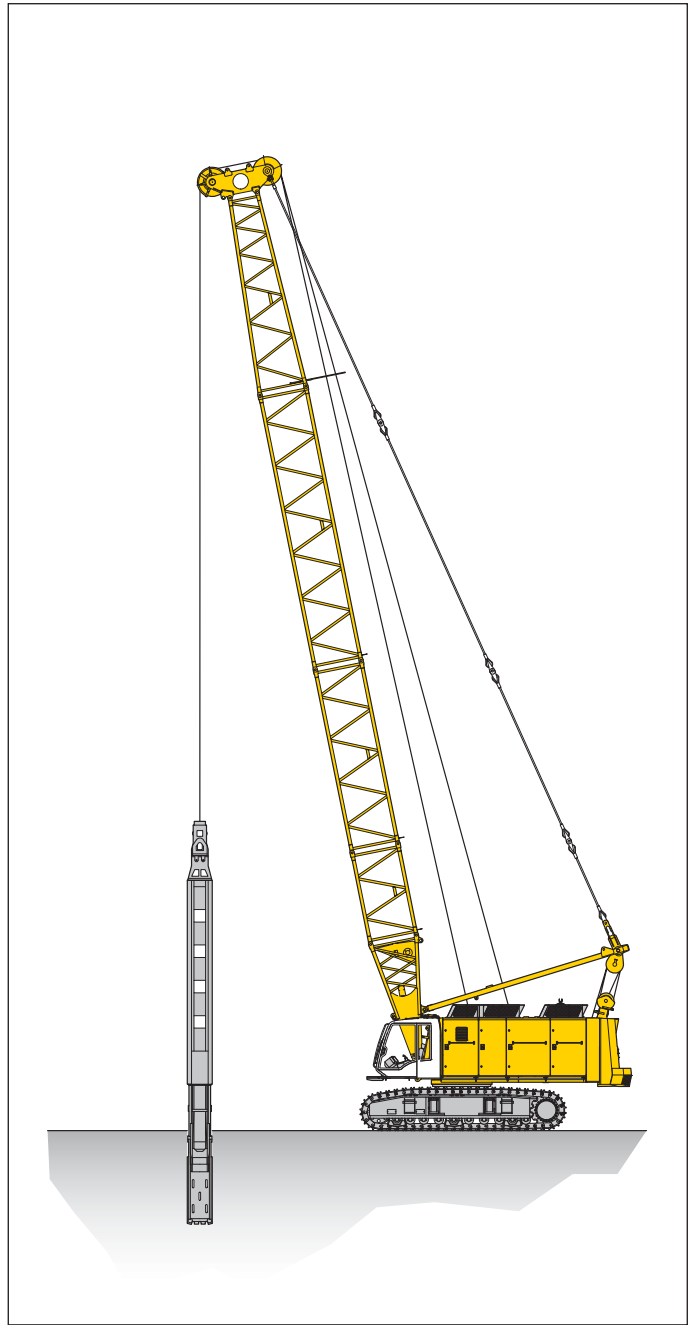
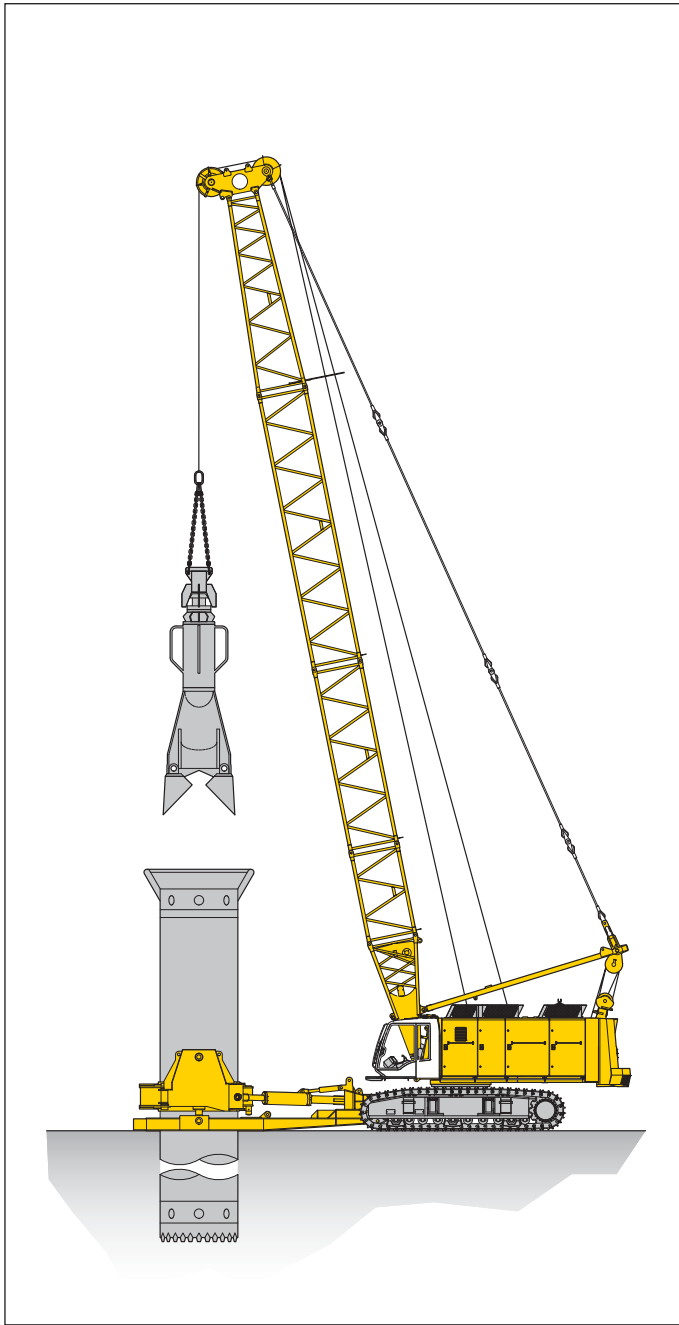
Operation: Left joy stick for boom winch and swing, right two directional levers for winch I and II. Crawler control is actuated with the two central foot pedals. Additionally, hand levers can be attached to the pedals.

Options:

- Special demolition control system
- MDE: Machine data recording
- PDE: Process data recording
- GSM modem

# Equipment (main boom No. 1515.xx and 32.5 t counterweight)

## Casing oscillator and slurry wall grab



### Casing oscillator\*

Winch options	2 x 250 kN	2 x 300 kN
Line speed 1st gear (m/min)	0-69	0-55
Line speed 2nd gear (m/min)	0-123	0-119
Drilling diameter	2500 mm	3000 mm

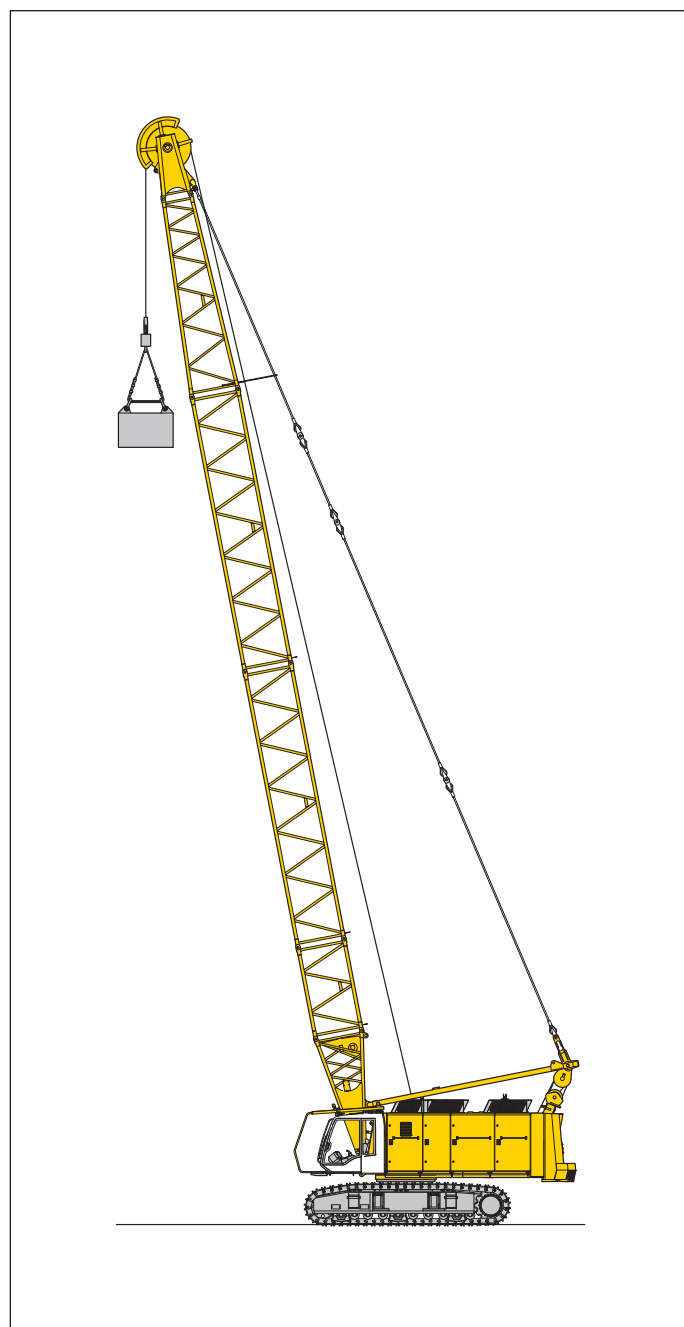
### Slurry wall grab\*

Winch options	2 x 250 kN	2 x 300 kN
Line speed 1st gear (m/min)	0-69	0-55
Line speed 2nd gear (m/min)	0-123	0-119
Max. chisel weight	16 t	25 t

\*) Load chart for duty cycle operation see page 8

# Equipment (main boom No. 1515.xx and 32.5 t counterweight)

## Dynamic soil compaction



**Capacities in metric tons for boom lengths (21 m - 33 m)**

Radius (m)	Boom length				
	21 m	24 m	27 m	30 m	33 m
8	t	t	t	t	t
9	30	30	25	25	20
10	20	20	20	20	18
11	18	18	18	18	16

Max. capacities in metric tons do not exceed 75% of tipping load. All loads given are max. values and must not be exceeded. They are only permitted in two-rope automatic operation and are valid for work on a surface with max. inclination of 1%. Lifting heights must not exceed 25 m.

# Load chart for duty cycle operation (main boom No. 1515.xx)

## 32. t counterweight

Capacities in metric tons for boom lengths (12 m – 36 m) – with 300 kN winches

Radius (m)	Boom length (m)								Radius (m)	
	12	15	18	21	24	27	30	33		36
5	46.2									5
6	46.2	46.2	46.2	45.3	42.9	38.7	34.7	31.1	28.1	6
7	46.2	45.6	44.5	42.6	40.2	38.1	34.7	31.1	28.1	7
8	41.3	40.4	39.5	38.8	37.3	34.9	32.7	30.9	28.1	8
9	36.4	35.5	34.8	34.2	33.5	32.7	30.2	28.5	27.0	9
10	32.3	31.7	31.1	30.3	29.9	29.1	28.4	26.6	25.0	10
12	26.3	25.8	25.3	24.7	24.3	23.7	22.9	22.3	21.8	12
14		21.6	21.2	20.7	20.4	19.8	19.1	18.7	18.1	14
16			18.2	17.7	17.5	17.0	16.3	16.0	15.4	16
18			15.7	15.3	15.1	14.7	14.2	13.7	13.4	18
20				13.3	13.1	12.8	12.4	11.9	11.6	20
22					11.6	11.2	10.8	10.4	10.1	22
24						9.9	9.5	9.2	8.9	24
26						8.5	8.4	8.1	7.8	26
28							7.3	7.1	6.9	28
30								6.2	6.0	30
32								5.2	5.1	32
34									4.3	34

TLT 10538261 M99999 Vorab1

### Maximum capacity in duty cycle operation with standard ropes

Line pull	kN	200	250	300
Rope diameter	mm	30	34	36
Minimum breaking load	kN	846	1046	1186
Line pull - 1-rope duty cycle operation	t	20	25	30
Line pull - 2-rope duty cycle operation <sup>1)</sup>	t	30.3	37.9	46.2

- 1) Lifting a load exceeding the line pull of one winch is only allowed if it can be ensured that each individual winch is not overloaded. When working with a mechanical 2-rope grab the total load to be lifted is limited by the line pull of one winch. Rigging and ropes are part of the load.
- 2) Max. capacities in metric tons do not exceed 75% of tipping load. Crane standing on firm, horizontal ground.

Capacities in duty cycle operation are for reference only and are not programmed in the LMI system.

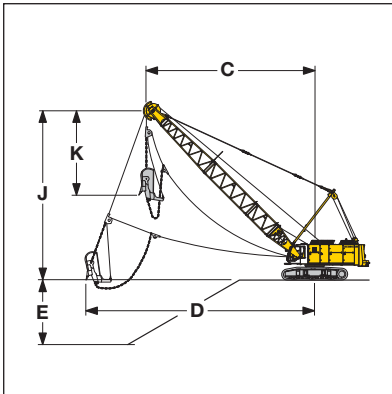
All loads and counterweight configurations are max. values and must not be exceeded.

Weight of additional equipment on boom (e.g. walkways, hose drums etc.) must be deducted to get the net capacity.



# Dragline equipment (main boom No. 1515.xx)

## 32.5 t counterweight



### Digging diagram

- C = Radius / dumping radius
- D = Max. digging radius = approx.  $C + 1/3 \text{ to } 1/2 J - K$
- E = Digging depth = approx. 40 - 50% of C
- J = Height to centre rope pulley boom head
- K = Length of dragline bucket (according to manufacturer's specification)

Capacities in metric tons for boom lengths (18 m - 33 m) counterweight 32.5 t

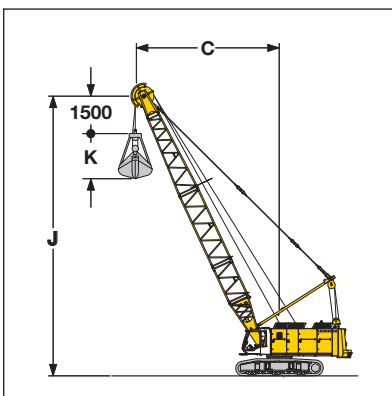
alpha	Boom length (m)																	
	18			21			24			27			30			33		
	C (m)	J (m)	t	C (m)	J (m)	t	C (m)	J (m)	t	C (m)	J (m)	t	C (m)	J (m)	t	C (m)	J (m)	t
45	14.8	15.0	19.9	16.9	17.1	16.6	19.0	19.2	14.1	21.1	21.3	11.8	23.3	23.5	10.0	25.4	25.6	8.5
40	15.8	13.8	18.4	18.1	15.7	15.2	20.4	17.7	12.8	22.7	19.6	10.7	25.0	21.5	9.0	27.3	23.5	7.5
35	16.8	12.6	17.1	19.3	14.3	14.1	21.7	16.0	11.8	24.2	17.7	9.8	26.6	19.4	8.1	29.1	21.2	6.7
30	17.6	11.2	16.1	20.2	12.7	13.2	22.8	14.2	11.0	25.4	15.7	8.9	28.0	17.2	7.3	30.6	18.7	5.9
25	18.4	9.8	15.3	21.1	11.1	12.5	23.8	12.4	10.1	26.5	13.6	8.2	29.2	14.9	6.6	32.0	16.2	5.3

TLT 10538261 M00000 Vorab1

Max. capacities in metric tons do not exceed 75% of tipping load. Capacities in duty cycle operation are for reference only and are not programmed in the LMI system. The size of the bucket has to be determined according to local conditions.

# Clamshell equipment (main boom No. 1515.xx)

## 32.5 t counterweight



### Working diagram

- C = Radius / dumping radius
- J = Height of boom head sheave centre above ground level
- K = Length of clamshell (depending on type and capacity of bucket)

Capacities in metric tons for boom lengths (18 m - 33 m) counterweight 32.5 t

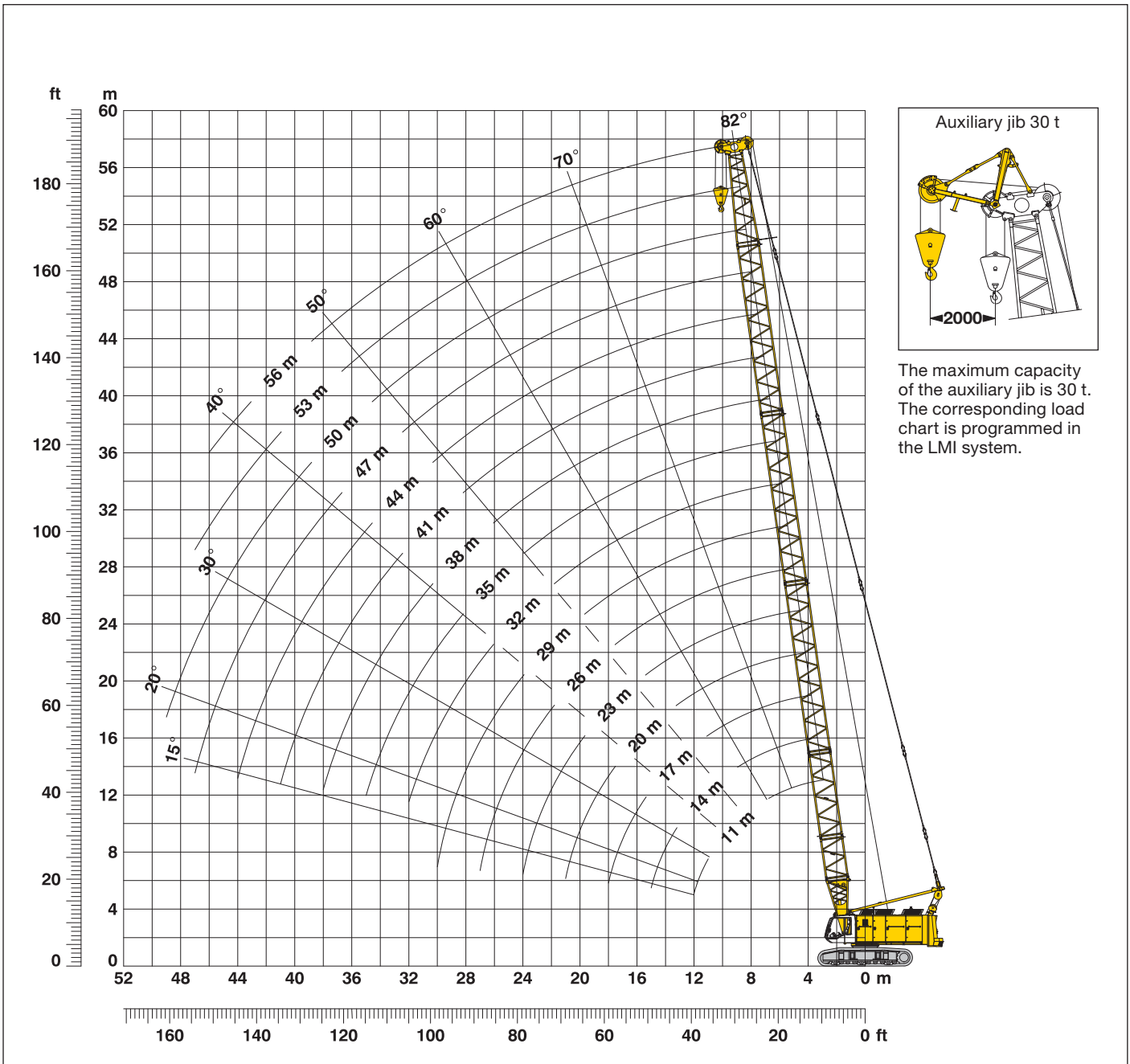
alpha	Boom length (m)																	
	18			21			24			27			30			33		
	C (m)	J (m)	t	C (m)	J (m)	t	C (m)	J (m)	t	C (m)	J (m)	t	C (m)	J (m)	t	C (m)	J (m)	t
65	9.7	18.6	32.5	10.9	21.3	27.7	12.2	24.0	24.0	13.5	26.7	20.8	14.7	29.4	18.1	16.0	32.2	16.0
60	11.0	17.8	27.8	12.5	20.4	23.3	14.0	23.0	20.0	15.5	25.6	17.3	17.0	28.2	15.1	18.5	30.8	13.3
55	12.4	17.0	23.8	14.1	19.4	19.9	15.8	21.9	17.0	17.5	24.4	14.6	19.3	26.8	12.7	21.0	29.3	11.1
50	13.6	16.0	20.9	15.5	18.3	17.4	17.5	20.6	14.8	19.4	22.9	12.7	21.3	25.2	11.0	23.3	27.5	9.5
45	14.8	15.0	18.7	16.9	17.1	15.5	19.0	19.2	13.2	21.1	21.3	11.2	23.3	23.5	9.6	25.4	25.6	8.3
40	15.8	13.8	17.0	18.1	15.7	14.1	20.4	17.7	11.9	22.7	19.6	10.1	25.0	21.5	8.6	27.3	23.5	7.4
35	16.8	12.6	15.7	19.3	14.3	12.9	21.7	16.0	10.9	24.2	17.7	9.2	26.6	19.4	7.8	29.1	21.2	6.6
30	17.6	11.2	14.7	20.2	12.7	12.0	22.8	14.2	10.1	25.4	15.7	8.5	28.0	17.2	7.2	30.6	18.7	5.9
25	18.4	9.8	13.9	21.1	11.1	11.3	23.8	12.4	9.5	26.5	13.6	8.0	29.2	14.9	6.6	32.0	16.2	5.3

TLT 983382714 M99999 Vorab2

Max. capacities in metric tons do not exceed 66.7% of tipping load. Capacities in duty cycle operation are for reference only and are not programmed in the LMI system.

# Working range - main boom 82° - 15°

## 32.5 t counterweight



### Main boom configuration (Table 1)

Configuration for boom lengths (11 m - 56 m)

Configuration	Length	Amount of boom extensions															
		1	2	3	4	5	6	7	8	9	10	11	12	13	14	15	16
Boom foot	4.0 m	1	1	1	1	1	1	1	1	1	1	1	1	1	1	1	1
Boom section	3.0 m		1		1		1		1		1		1		1		1
Boom section	6.0 m			1	1		1		1		1		1		1		1
Boom section	12.0 m					1	1	1	1	2	2	2	2	3	3	3	3
Boom head section	6.4 m	1	1	1	1	1	1	1	1	1	1	1	1	1	1	1	1
Boom head	0.6 m	1	1	1	1	1	1	1	1	1	1	1	1	1	1	1	1
Boom length (m)		11	14	17	20	23	26	29	32	35	38	41	44	47	50	53	56

# Load chart for lift crane operation (No. 1515.xx)

## 32.5 t counterweight

Capacities in metric tons for boom lengths (11 m – 74 m) – with 300 kN winches

Radius	Boom length (m)																Radius	
	with standard boom head												with L-boom head					
	11	14	17	20	23	26	29	32	35	41	47	50	56	59	62	68		74
m	t	t	t	t	t	t	t	t	t	t	t	t	t	t	t	t	t	m
3.8	120.0																	3.8
4.0	120.0	120.0																4
5	108.4	107.2	104.4															5
6	80.0	80.2	80.3	78.5	76.9	75.2												6
7	63.1	63.2	63.3	63.2	62.6	61.3	60.1	58.8										7
8	51.8	52.0	52.0	51.9	52.0	51.6	50.6	49.6	48.7	46.7								8
9	43.8	43.9	44.0	43.9	43.9	43.8	43.6	42.8	42.0	40.3	38.7							9
10	37.7	37.9	38.0	37.9	37.9	37.8	37.7	37.4	36.8	35.3	33.9	33.1						10
12	29.0	29.5	29.5	29.5	29.5	29.3	29.2	29.0	29.0	28.0	26.9	26.3	25.0	16.5	14.4	10.5		12
14		23.7	23.9	23.8	23.9	23.7	23.6	23.4	23.3	23.0	22.1	21.6	20.5	14.4	13.0	9.5	4.7	14
16			20.0	19.9	20.0	19.8	19.7	19.5	19.4	19.1	18.5	18.0	17.1	12.9	11.4	8.3	3.9	16
18			16.8	16.9	16.9	16.8	16.7	16.5	16.4	16.0	15.7	15.3	14.4	11.6	10.2	7.4	3.2	18
20				14.5	14.6	14.4	14.3	14.1	14.0	13.6	13.3	13.1	12.3	10.4	9.2	6.5	1.8	20
22					12.6	12.5	12.4	12.2	12.1	11.7	11.4	11.2	10.5	9.7	8.2	5.6	1.1	22
24					11.0	10.9	10.8	10.6	10.6	10.2	9.8	9.6	9.1	8.5	7.2	4.6		24
26						9.6	9.5	9.3	9.3	8.9	8.5	8.3	7.9	7.3	6.5	3.7		26
28							8.4	8.2	8.1	7.8	7.4	7.2	6.8	6.2	5.7	2.8		28
30							7.4	7.3	7.2	6.8	6.5	6.3	5.8	5.3	4.9			30
32								6.4	6.4	6.0	5.6	5.4	5.0	4.5	4.1			32
34									5.6	5.3	4.9	4.7	4.3	3.8	3.3			34
36										4.6	4.3	4.1	3.6	3.2	2.6			36
38										4.0	3.7	3.5	3.1	2.6	1.5			38
40										3.5	3.2	3.0	2.5	2.1				40
42											2.7	2.5	2.1	1.7				42
44											2.3	2.1	1.7	1.3				44
46											1.9	1.7	1.3					46
48												1.3						48

TLT 983627514 M 48668

Above load chart is for reference only. For actual lift duty please refer to load chart in operator's cab or manual.

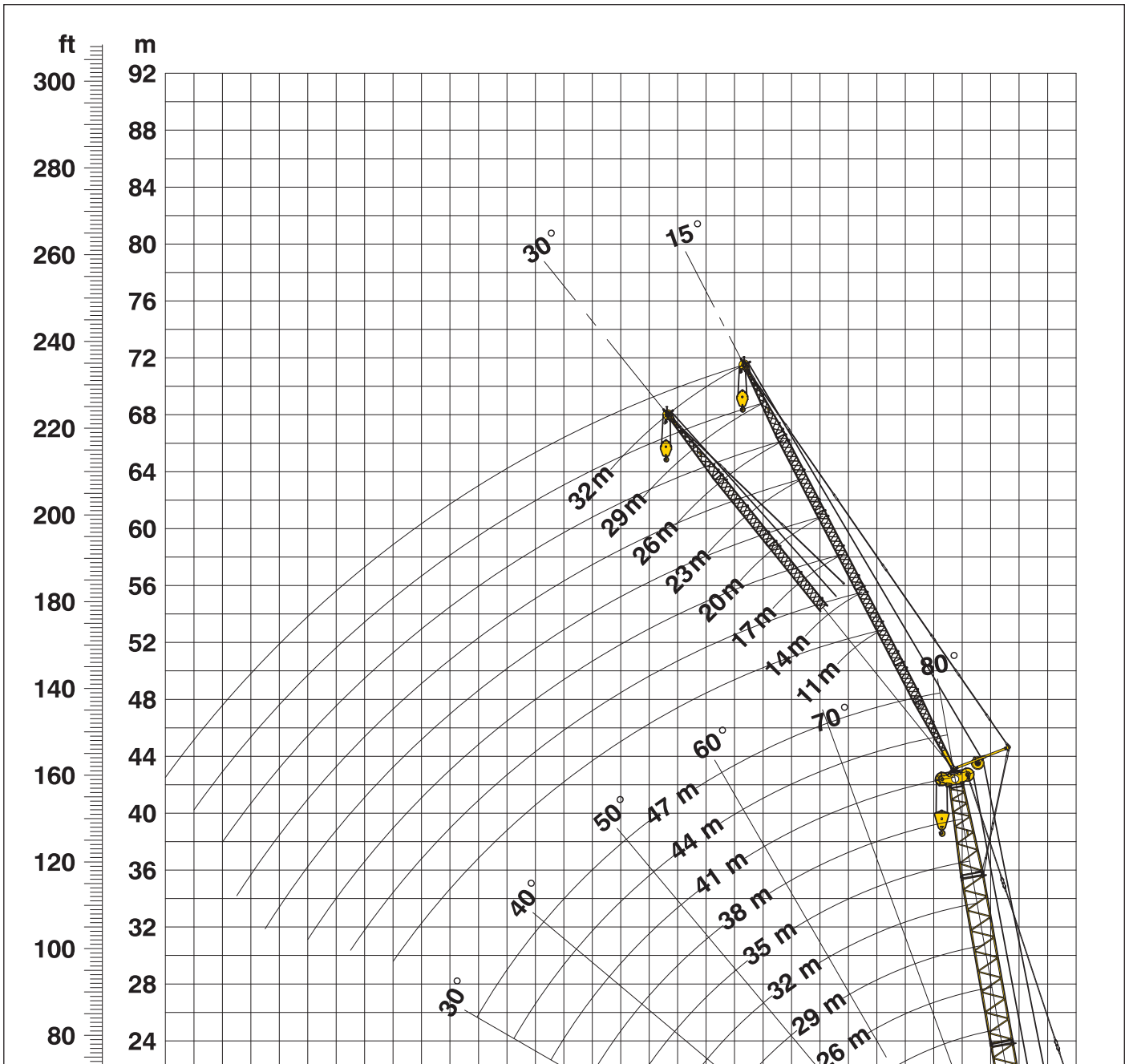
## L-boom configuration

Configuration for boom lengths (59 m - 74 m)

	Length	Amount of boom extensions					
Boom foot	4.0 m	1	1	1	1	1	1
Boom section	3.0 m		1		1		1
Boom section	6.0 m				1	1	
Boom section	12.0 m	4	4	4	4	5	5
L-boom head	7.0 m	1	1	1	1	1	1
Boom length (m)		59	62	65	68	71	74

# Working range - fixed jib (No. 0806.xx) 15° and 30°

Main boom 80° - 30°



**Boom configuration for boom lengths (11 m - 47 m)** — see table 1, page 10

**Fixed jib configuration for fixed jib lengths (11 m - 32 m)**

	Length	Amount of fixed jib extensions								
		1	1	1	1	1	1	1	1	1
Fixed jib foot	5.5 m	1	1	1	1	1	1	1	1	1
Fixed jib section	3.0 m		1			1		1		1
Fixed jib section	6.0 m			1		1	2	2	3	3
Fixed jib head	5.5 m	1	1	1	1	1	1	1	1	1
Fixed jib length (m)		11	14	17	20	23	26	29	32	

# Load chart - fixed jib (No. 0806.xx)

Offset 15°

## Main boom 11 m

Radius	Fixed jib length (m)			
	11	20	26	32
(m)	t	t	t	t
6.6	25.6			
11	20.3	11.9		
14	18.0	10.6	7.3	
17	16.7	9.7	6.7	4.6
20	15.5	9.1	6.3	4.3
22	13.6	8.8	6.1	4.2
26		8.0	5.7	3.9
30		7.4	5.4	3.7
32			5.3	3.6
36			5.1	3.5
38				3.4
42				3.4

## Main boom 17 m

Radius	Fixed jib length (m)			
	11	17	26	32
(m)	t	t	t	t
7.5	24.7			
11	20.9	14.4		
15	18.1	12.6	7.1	
18	17.2	12.0	6.7	4.5
20	15.2	11.7	6.4	4.4
22	13.3	11.4	6.2	4.2
26	10.4	10.5	5.9	4.0
32		8.0	5.4	3.7
36			5.2	3.6
42			5.0	3.4
44				3.4
48				2.9

## Main boom 23 m

Radius	Fixed jib length (m)			
	11	20	26	32
(m)	t	t	t	t
8.3	23.6			
13	19.6	11.4		
16	18.2	10.5	7.1	
19	15.9	10.0	6.8	4.5
22	12.9	9.6	6.5	4.3
26	10.0	9.1	6.1	4.0
30	7.9	8.7	5.8	3.8
32	7.1	7.8	5.7	3.8
40		5.3	5.3	3.5
42			5.1	3.5
46			4.3	3.4
50				3.3

## Main boom 29 m

Radius	Fixed jib length (m)			
	11	20	26	32
(m)	t	t	t	t
9.1	22.6			
14	19.1	10.8		
17	18.0	10.1	6.8	
20	14.4	9.7	6.6	4.4
22	12.5	9.5	6.4	4.3
26	9.6	9.1	6.1	4.1
30	7.5	8.3	5.9	3.9
34	5.9	6.7	5.6	3.8
36	5.3	6.0	5.5	3.7
46		3.5	3.9	3.4
50			3.2	3.4
55				2.7

## Main boom 35 m

Radius	Fixed jib length (m)			
	11	20	26	32
(m)	t	t	t	t
10	21.4			
15	18.6	10.4		
18	16.3	9.9	6.7	
22	12.0	9.5	6.5	4.3
26	9.1	9.1	6.2	4.1
30	7.0	7.9	5.9	4.0
34	5.5	6.3	5.7	3.8
38	4.2	5.0	5.4	3.7
42	3.2	4.0	4.4	3.6
46		3.1	3.5	3.5
50		2.4	2.8	3.0
55				2.3

## Main boom 38 m

Radius	Fixed jib length (m)			
	11	20	26	32
(m)	t	t	t	t
10.4	20.8			
15	18.3	10.3		
18	16.1	9.8	6.7	
22	11.8	9.5	6.4	4.3
26	8.9	9.1	6.2	4.1
30	6.8	7.7	5.9	4.0
34	5.2	6.1	5.7	3.8
38	4.0	4.8	5.2	3.7
42	3.0	3.8	4.2	3.6
44	2.6	3.3	3.7	3.5
50		2.2	2.6	2.9
55				2.1

## Main boom 41 m

Radius	Fixed jib length (m)			
	11	20	26	32
(m)	t	t	t	t
10.8	20.0			
16	17.7	10.2		
19	14.5	9.9	6.7	
22	11.6	9.6	6.5	4.3
26	8.7	9.3	6.3	4.1
30	6.6	7.5	6.0	4.0
34	5.0	5.9	5.8	3.8
38	3.8	4.6	5.0	3.7
42	2.8	3.5	4.0	3.6
44	2.3	3.1	3.5	3.5
48		2.3	2.7	3.0
50			2.4	2.7

## Main boom 44 m

Radius	Fixed jib length (m)			
	11	17	20	
(m)	t	t	t	
15	17.7	12.1		
16	17.4	11.9	9.9	
20	13.1	11.5	9.5	
22	11.3	11.4	9.3	
26	8.4	9.1	9.1	
30	6.3	7.0	7.3	
34	4.8	5.4	5.6	
38	3.5	4.1	4.4	
42	2.5	3.1	3.3	
44	2.1	2.7	2.9	
46		2.3	2.5	
48			2.1	

## Main boom 47 m

Radius	Fixed jib length (m)			
	11			
(m)	t			
11.6	18.7			
12	18.7			
14	17.8			
16	17.1			
18	14.8			
20	12.6			
24	9.4			
28	7.1			
32	5.3			
36	3.9			
40	2.8			
42	2.3			

(TLT 983382314 M 55923)

Capacities in metric tons with fixed jib (No. 0806.xx), 32.5 t counterweight. Above load chart is for reference only. For actual lift duty and complete chart with all available configurations please refer to load chart in operator's cab or manual.

# Load chart - fixed jib (No. 0806.xx)

Offset 30°

## Main boom 11 m

Radius	Fixed jib length (m)			
	11	20	26	32
(m)	t	t	t	t
9.3	19.2			
16	14.8	9.1		
20	13.1	8.2	5.9	
22	12.5	7.8	5.7	
24		7.4	5.5	
26		7.1	5.3	3.7
30		6.7	5.0	3.6
32			4.8	3.5
36			4.6	3.4
38				3.3
40				3.2
42				3.2

## Main boom 17 m

Radius	Fixed jib length (m)			
	11	20	26	32
(m)	t	t	t	t
10.2	18.7			
17	15.5	9.0		
22	13.5	8.1	5.8	
26	10.6	7.5	5.5	3.8
28		7.2	5.3	3.7
30		7.0	5.2	3.6
34		6.6	4.9	3.5
36		6.5	4.8	3.4
40			4.6	3.3
42			4.5	3.3
44				3.2
48				3.1

## Main boom 23 m

Radius	Fixed jib length (m)			
	11	20	26	32
(m)	t	t	t	t
8.3	23.6			
13	19.6	11.4		
16	18.2	10.5	7.1	
19	15.9	10.0	6.8	4.5
22	12.9	9.6	6.5	4.3
26	10.0	9.1	6.1	4.0
30	7.9	8.7	5.8	3.8
32	7.1	7.8	5.7	3.8
40		5.3	5.3	3.5
44			4.7	3.4
46			4.3	3.4
50				3.3

## Main boom 29 m

Radius	Fixed jib length (m)			
	11	20	26	32
(m)	t	t	t	t
9.1	22.6			
14	19.1	10.8		
17	18.0	10.1	6.8	
20	14.4	9.7	6.6	4.4
24	10.9	9.3	6.3	4.2
28	8.5	8.9	6.0	4.0
32	6.7	7.5	5.7	3.8
36	5.3	6.0	5.5	3.7
40		4.9	5.2	3.6
46		3.5	3.9	3.4
50			3.2	3.4
55				2.7

## Main boom 35 m

Radius	Fixed jib length (m)			
	11	20	26	32
(m)	t	t	t	t
12.7	17.0			
20	14.5	8.6		
24	10.9	8.3	5.7	
28	8.4	7.9	5.5	3.7
30	7.4	7.7	5.4	3.7
32	6.5	7.5	5.3	3.6
36	5.0	6.0	5.1	3.6
40	3.8	4.8	4.9	3.5
42	3.3	4.3	4.8	3.4
46		3.3	3.8	3.3
50		2.5	3.0	3.3
55			2.1	2.6

## Main boom 38 m

Radius	Fixed jib length (m)			
	11	20	26	32
(m)	t	t	t	t
13.1	16.7			
20	14.4	8.6		
24	10.7	8.3	5.7	
28	8.2	8.0	5.5	3.8
30	7.2	7.8	5.4	3.7
32	6.3	7.4	5.3	3.6
34	5.5	6.6	5.2	3.6
36	4.8	5.9	5.1	3.5
40	3.7	4.6	5.0	3.5
44	2.7	3.6	4.1	3.4
50		2.4	2.9	3.3
55			2.0	2.4

## Main boom 41 m

Radius	Fixed jib length (m)			
	11	20	26	32
(m)	t	t	t	t
13.5	16.3			
20	14.2	8.7		
26	9.2	8.3	5.7	
30	7.0	8.0	5.5	3.7
32	6.1	7.2	5.4	3.6
34	5.3	6.4	5.4	3.6
36	4.6	5.7	5.3	3.5
38	4.0	5.1	5.2	3.5
40	3.5	4.5	5.0	3.5
44	2.5	3.4	4.0	3.4
50		2.2	2.7	3.1
55				2.3

## Main boom 44 m

Radius	Fixed jib length (m)			
	11	17	20	23
(m)	t	t	t	t
13.9	15.9			
19	14.9	10.5		
22	12.0	10.3	8.4	
24	10.4	10.2	8.3	6.7
26	9.0	9.9	8.2	6.6
28	7.8	8.7	8.0	6.5
32	5.9	6.7	7.1	6.3
36	4.4	5.2	5.5	5.8
40	3.3	4.0	4.3	4.6
44	2.3	3.0	3.3	3.6
48		2.1	2.4	2.7
50			2.0	2.3

## Main boom 47 m

Radius	Fixed jib length (m)			
	11			
(m)	t			
14.4	15.5			
16	15.3			
18	15.1			
20	13.5			
24	10.1			
28	7.6			
32	5.7			
36	4.2			
38	3.6			
40	3.1			
42	2.6			
44	2.1			

(TLT 983382314 M 55923)

Capacities in metric tons with fixed jib (No. 0806.xx), 32.5 t counterweight. Above load chart is for reference only. For actual lift duty and complete chart with all available configurations please refer to load chart in operator's cab or manual.

# Notes

